

| | | | | | |
|-----------------|-----------------------|------------------|------------------------|-----------|---------|
| PROJECT: | Hydro MPC-CME Booster | UNIT TAG: | _____ | QUANTITY: | 1 |
| REPRESENTATIVE: | Hurley engineering | TYPE OF SERVICE: | Domestic Water Booster | DATE: | 2/10/20 |
| ENGINEER: | TBD | SUBMITTED BY: | Devin Carle | DATE: | _____ |
| CONTRACTOR: | TBD | APPROVED BY: | _____ | DATE: | _____ |
| | | ORDER NO.: | _____ | DATE: | _____ |

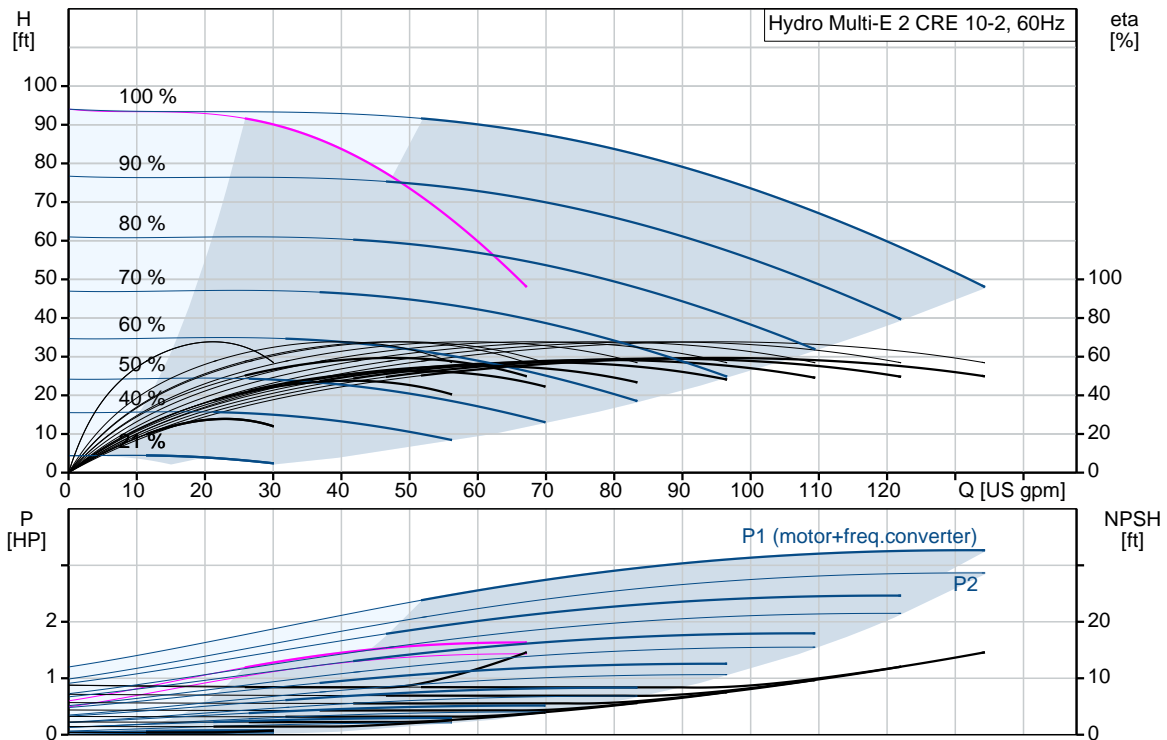


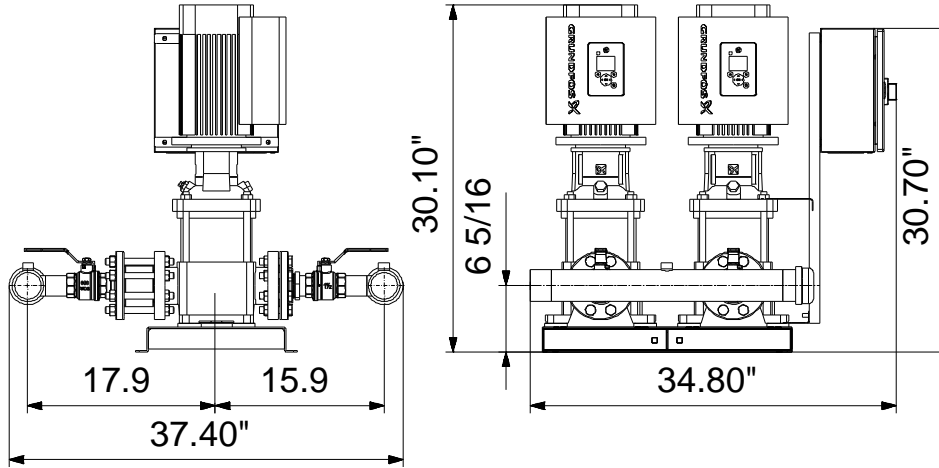
Product photo could vary from the actual product

Hydro Multi-E 2 CRE 10-2

Energy efficient pressure boosting system for boosting of clean water. Available with 2-4 parallel connected frequency controlled pumps, integrated advanced controller and all necessary fittings.

| Conditions of Service | Pump Data | Motor Data |
|-------------------------|--|--------------------------|
| Flow: _____ | Maximum operating pressure: 232.06 psi | Rated voltage: 208-230 V |
| Head: _____ | Liquid temperature range: 32 .. 176 °F | Main frequency: 60 Hz |
| Efficiency: _____ | Product number: On request | |
| Liquid: Water | | |
| Temperature: 68 °F | | |
| NPSH required: ft | | |
| Viscosity: _____ | | |
| Specific Gravity: 1.000 | | |






Materials:

Pump housing: Cast iron

Manifolds: Stainless steel

| Count | Description |
|-------|---|
| 1 | <p data-bbox="287 403 606 436">Hydro Multi-E 2 CRE 10-2</p> <div data-bbox="303 448 678 817"></div> <p data-bbox="694 795 1149 828">Product photo could vary from the actual product</p> <p data-bbox="287 828 582 862">Product No.: On request</p> <p data-bbox="287 884 1332 952">A GRUNDFOS Hydro Multi-E booster set consists of 2 to 4 speed controlled CR pumps (CRE pumps).</p> <p data-bbox="287 952 1316 985">Each CRE pump is equipped with an integrated variable frequency drive motor (MLE motor).</p> <ul data-bbox="335 1008 1364 1187" style="list-style-type: none">- Hydro Multi-E maintains constant pressure through continuous adjustment of the speed of the pumps.- The system performance is adapted to the demand through cutting in/out the required number of pumps and through parallel control of the pumps in operation.- Pump cascade control is based on first on first off to ensure equal pump wear.- All pumps in operation will run at equal speed. <p data-bbox="287 1209 1324 1265">GRUNDFOS Hydro Multi-E booster sets are designed for pressure boosting of clean water in residential/commercial building, municipal, industrial, and irrigation applications.</p> <p data-bbox="287 1299 1372 1400">The control of the Hydro Multi-E system is accomplished through Proportional-Integral control via a multi-pump controller card mounted in one of the MLE motors. The Hydro Multi-E system start/stop and set-point adjustment is possible through the use of two push buttons located on the MLE motor or with the R100 remote controller.</p> <p data-bbox="287 1444 694 1478">The system consists of these parts:</p> <ul data-bbox="335 1478 1372 1825" style="list-style-type: none">- Suction manifold and discharge manifold made of 316 stainless steel.- Base frame made of 304 stainless steel.- One non-return valve (check valve), and two isolating valves for each pump.- Adapter with isolating valve for connection diaphragm tank.- Pressure gauge on suction and discharge manifolds.- Pressure transducer on discharge manifold.- Dry-running protection is standard with use of differential pressure switch on suction manifold.- A service disconnect switch located in a NEMA 3R enclosure is mounted to each pump for ease of service.- Grundfos bus communication with optional gateway connections for LON, Modbus, Profibus, BACnet, GSM <p data-bbox="287 1848 1300 1915">When delivered, the GRUNDFOS Hydro Multi-E booster set is factory tested and ready for operation.</p> <p data-bbox="287 1937 805 1971">Diaphragm tank is available as an accessory.</p> <p data-bbox="287 2004 391 2038">Liquid:</p> |

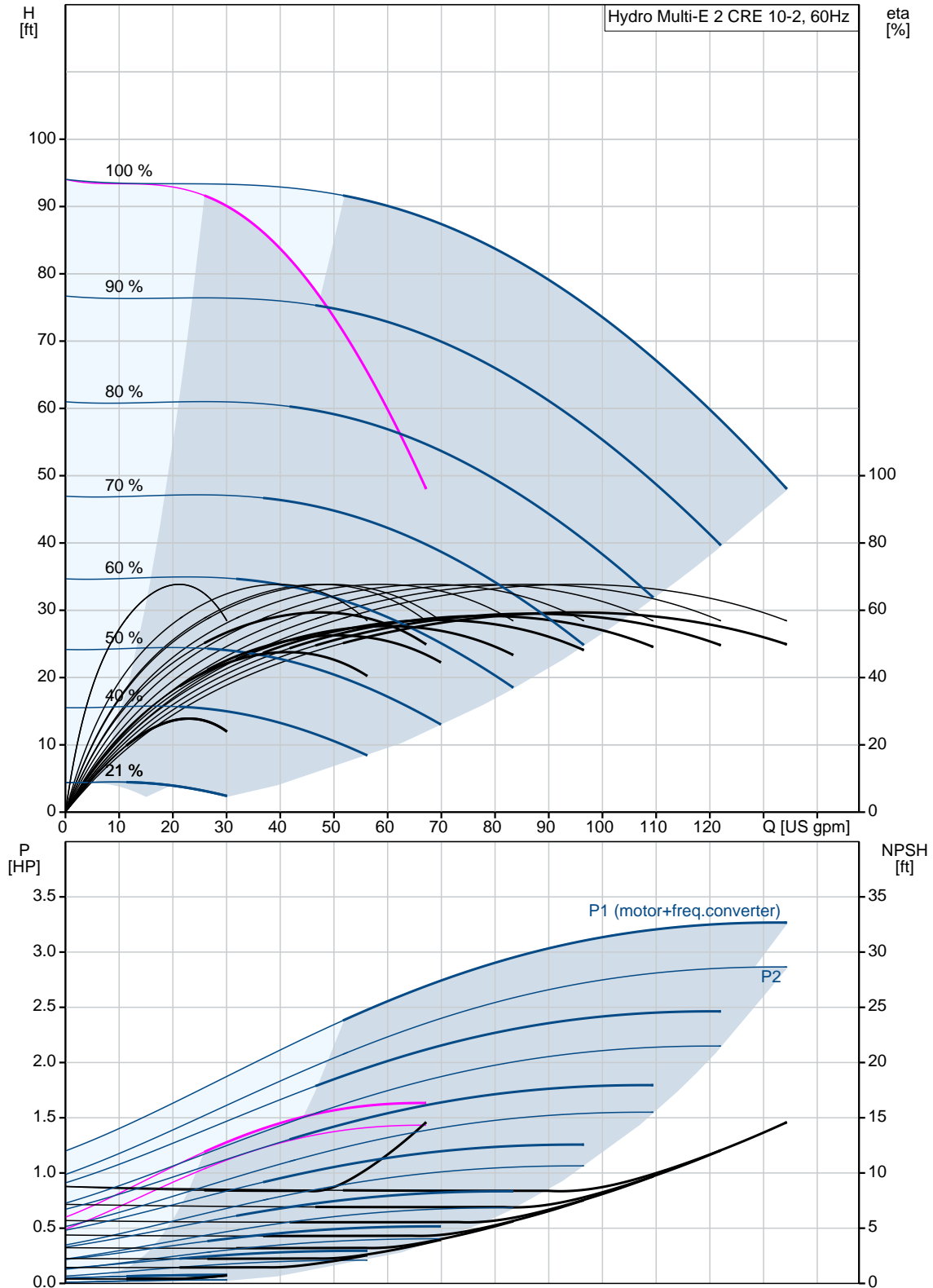


Company name: Hurley Engineering
Created by:
Phone:

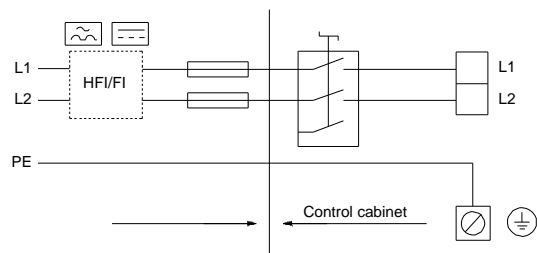
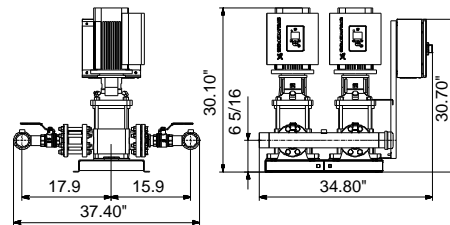
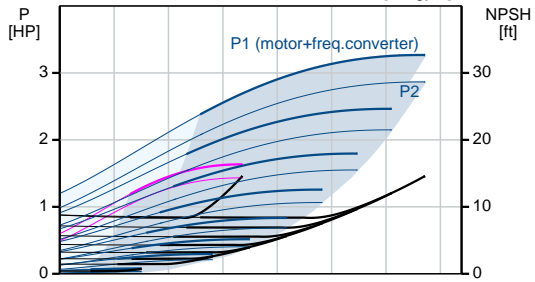
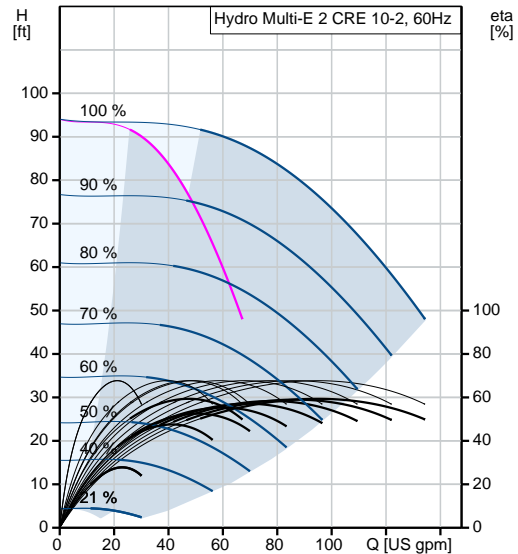
Date: 3/24/2020

| Count | Description |
|-------|---|
| | <p>Pumped liquid: Water Liquid temperature range: 32 .. 176 °F Selected liquid temperature: 68 °F Density: 62.29 lb/ft³</p> <p>Materials: Pump housing: Cast iron</p> <p>Installation: Maximum operating pressure: 232.06 psi Maximum permissible inlet pressure: 116.03 psi Manifold inlet: 2.5" NPT Manifold outlet: 2.5" NPT</p> <p>Electrical data: Power (P2) main pump: 1.5 HP Main frequency: 60 Hz Rated voltage: 1 x 208-230 V Rated voltage main pump: 1 x 208 V Rated current: 13.4 A Start. method: electronically Radio interference supression: IEC/CISPR 11-1B</p> <p>Tank: Diaphragm tank: No</p> <p>Others: Net weight: 344 lb Gross weight: 567 lb Shipping volume: 89.7 ft³</p> |

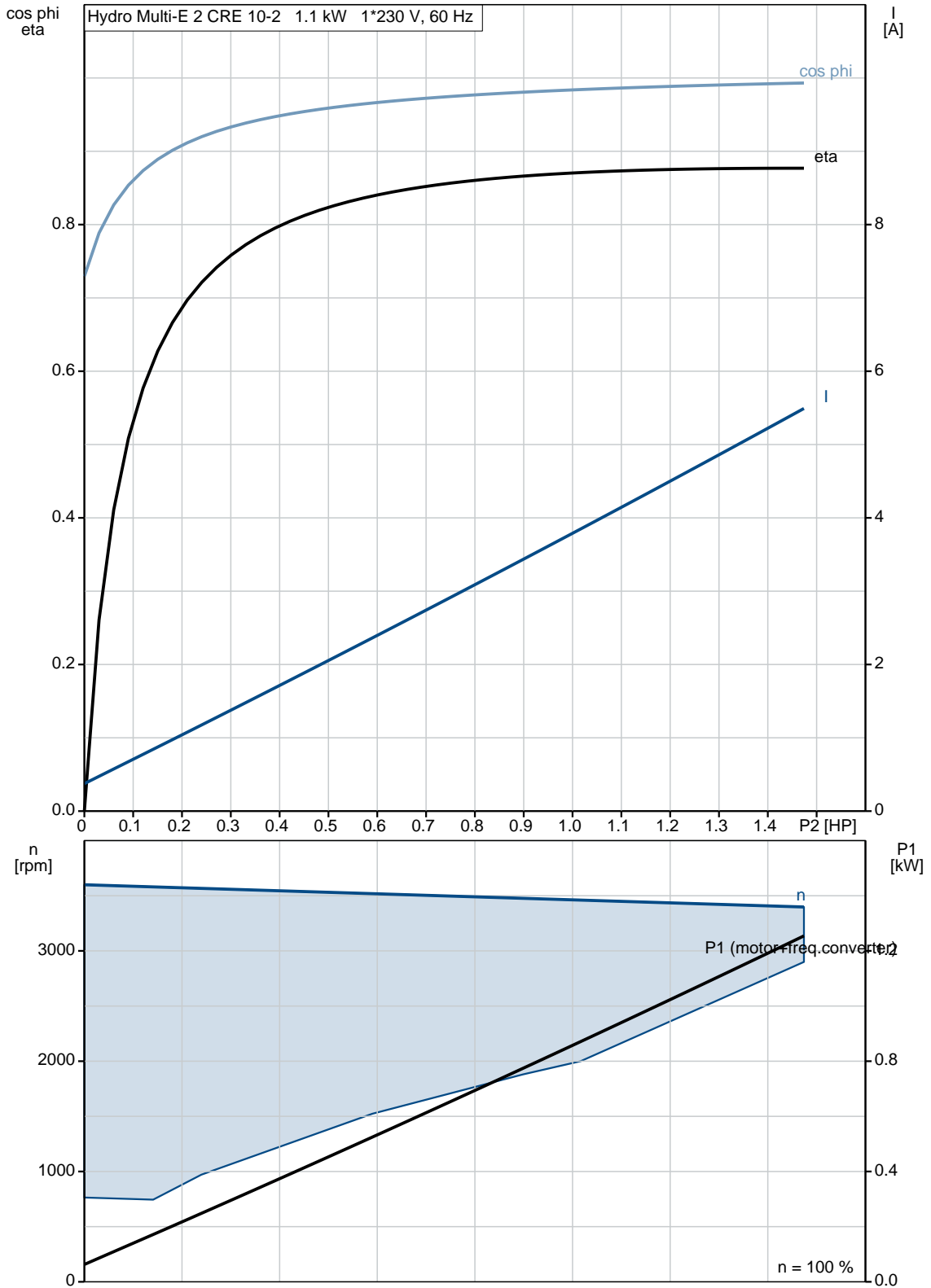
On request Hydro Multi-E 2 CRE 10-2 60 Hz



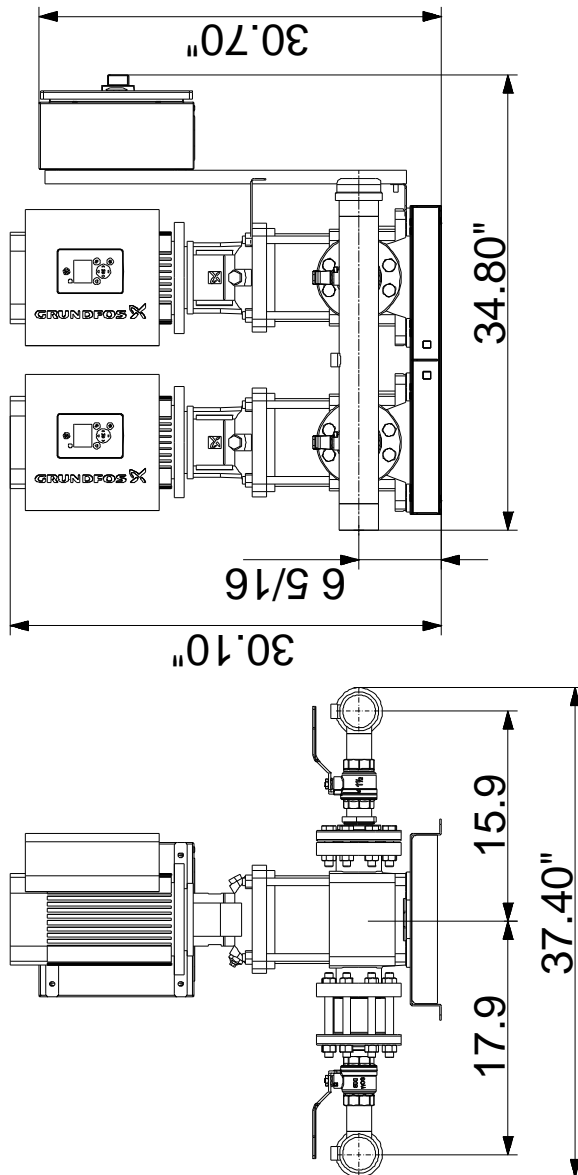
| Description | Value |
|-------------------------------------|--------------------------|
| General information: | |
| Product name: | Hydro Multi-E 2 CRE 10-2 |
| Product No.: | On request |
| EAN: | On request |
| Technical: | |
| Min flow system: | 0 US gpm |
| Max flow system: | 141 US gpm |
| Maximum head: | 95.15 ft |
| Pump name: | CRE10-2 |
| Number of pumps: | 2 |
| Materials: | |
| Pump housing: | Cast iron |
| Manifolds: | Stainless steel |
| Installation: | |
| Maximum operating pressure: | 232.06 psi |
| Maximum permissible inlet pressure: | 116.03 psi |
| Manifold inlet: | 2.5" NPT |
| Manifold outlet: | 2.5" NPT |
| Liquid: | |
| Pumped liquid: | Water |
| Liquid temperature range: | 32 .. 176 °F |
| Selected liquid temperature: | 68 °F |
| Density: | 62.29 lb/ft ³ |
| Electrical data: | |
| Power (P2) main pump: | 1.5 HP |
| Main frequency: | 60 Hz |
| Rated voltage: | 1 x 208-230 V |
| Rated voltage main pump: | 1 x 208 V |
| Rated current: | 13.4 A |
| Start. method: | electronically |
| Radio interference supression: | IEC/CISPR 11-1B |
| Tank: | |
| Diaphragm tank: | No |
| Others: | |
| Net weight: | 344 lb |
| Gross weight: | 567 lb |
| Shipping volume: | 89.7 ft ³ |
| Sales region: | Namreg |
| Product range: | NAMREG |



On request Hydro Multi-E 2 CRE 10-2 60 Hz

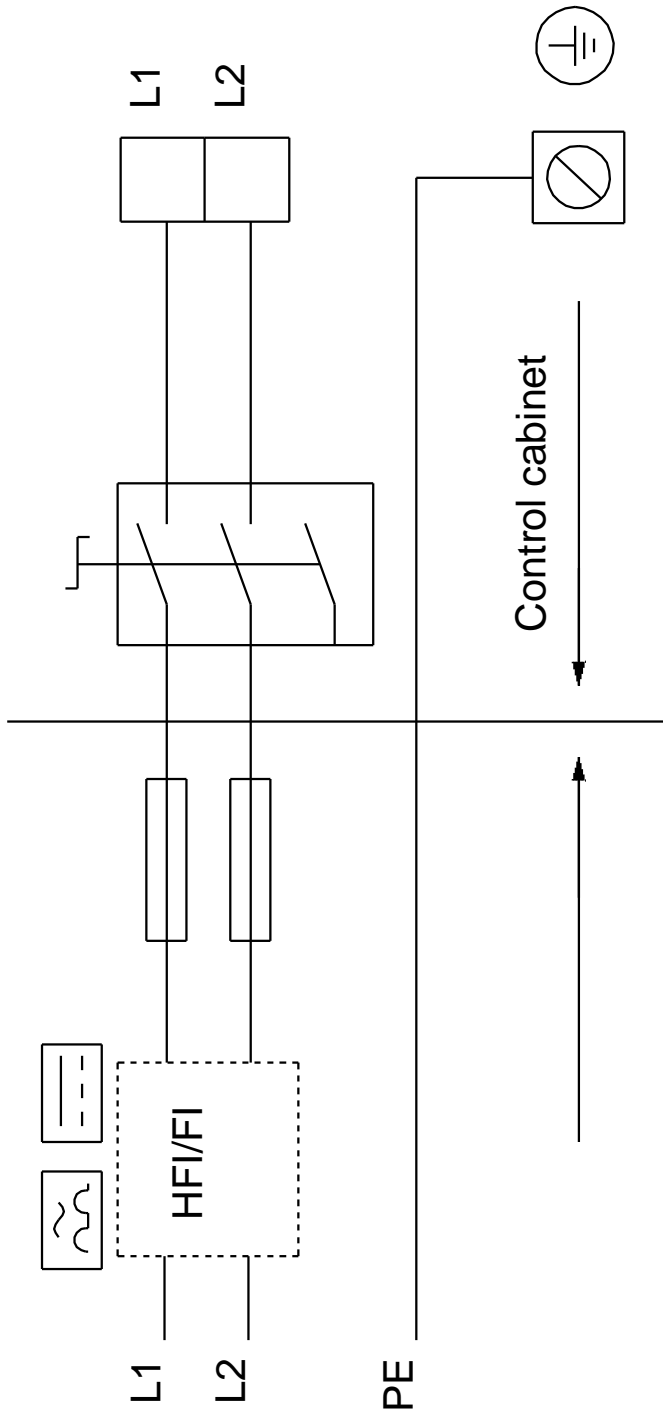


On request Hydro Multi-E 2 CRE 10-2 60 Hz



Note! All units are in [in] unless otherwise stated.
Disclaimer: This simplified dimensional drawing does not show all details.

On request Hydro Multi-E 2 CRE 10-2 60 Hz



All units are [in] unless otherwise presented.