

|                 |                       |                  |                        |           |         |
|-----------------|-----------------------|------------------|------------------------|-----------|---------|
| PROJECT:        | Hydro MPC-CME Booster | UNIT TAG:        | _____                  | QUANTITY: | 1       |
| REPRESENTATIVE: | Hurley engineering    | TYPE OF SERVICE: | Domestic Water Booster | DATE:     | 2/10/20 |
| ENGINEER:       | TBD                   | SUBMITTED BY:    | Devin Carle            | DATE:     | _____   |
| CONTRACTOR:     | TBD                   | APPROVED BY:     | _____                  | DATE:     | _____   |
|                 |                       | ORDER NO.:       | _____                  | DATE:     | _____   |

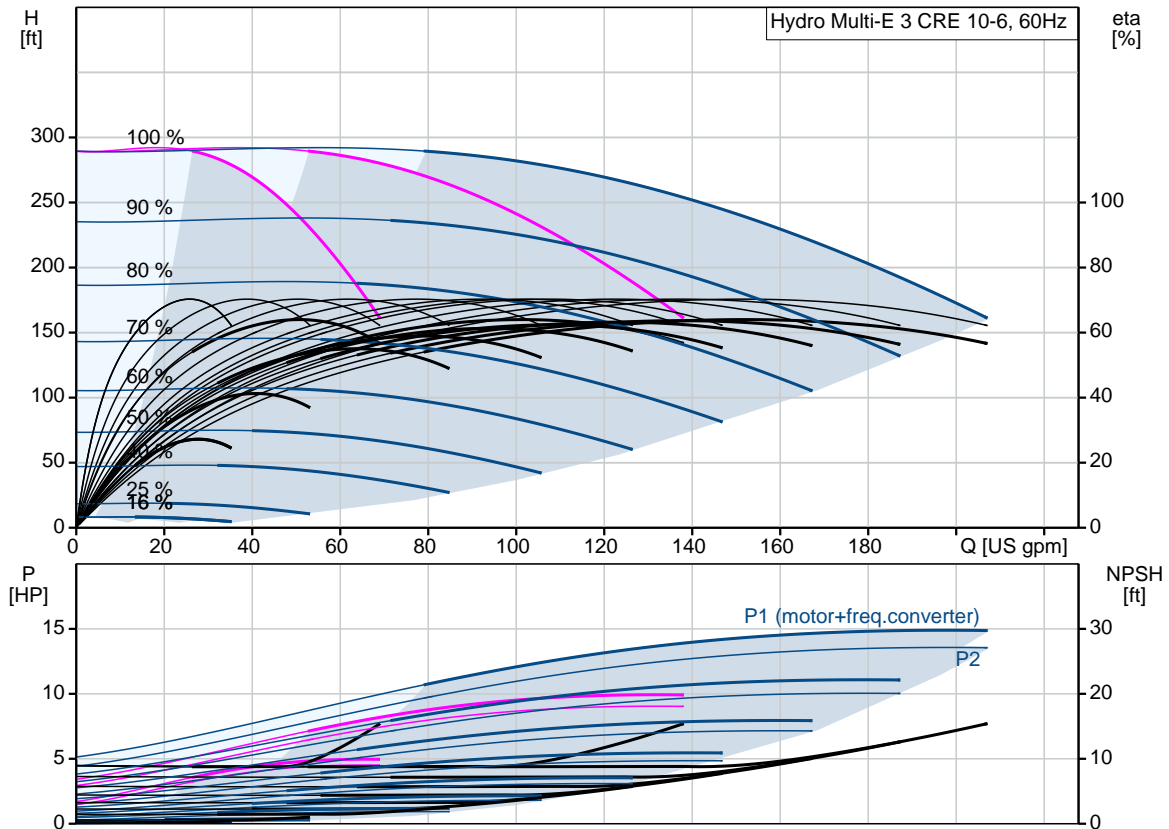


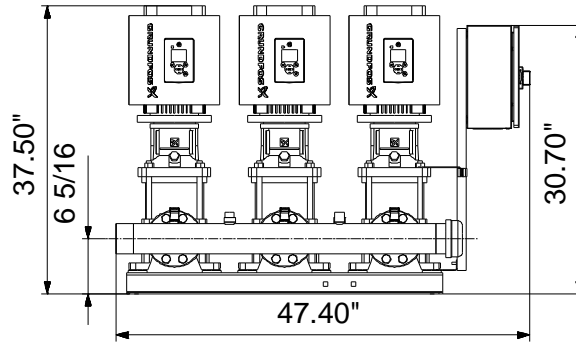
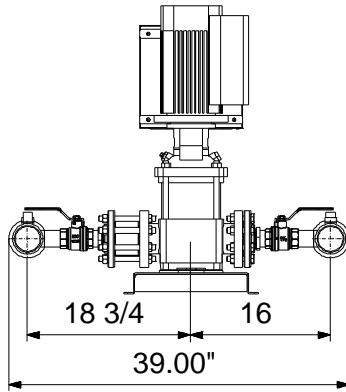
Product photo could vary from the actual product

### Hydro Multi-E 3 CRE 10-6

Energy efficient pressure boosting system for boosting of clean water. Available with 2-4 parallel connected frequency controlled pumps, integrated advanced controller and all necessary fittings.

| Conditions of Service   | Pump Data                              | Motor Data               |
|-------------------------|--|--------------------------|
| Flow: _____             | Maximum operating pressure: 232.06 psi | Rated voltage: 208-230 V |
| Head: _____             | Liquid temperature range: 32 .. 176 °F | Main frequency: 60 Hz    |
| Efficiency: _____       | Product number: On request             |                          |
| Liquid: Water           |  |                          |
| Temperature: 68 °F      |  |                          |
| NPSH required: _____    |  |                          |
| Viscosity: _____        |  |                          |
| Specific Gravity: 1.000 |  |                          |






**Materials:**

Pump housing: Cast iron

Manifolds: Stainless steel

| Count                        | Description   |                |       |                           |              |                              |       |
|------------------------------|---|----------------|-------|---------------------------|--------------|------------------------------|-------|
| 1                            | <p data-bbox="288 405 606 441"><b>Hydro Multi-E 3 CRE 10-6</b></p>  <p data-bbox="692 707 1150 734">Product photo could vary from the actual product</p> <p data-bbox="288 741 580 768">Product No.: On request</p> <p data-bbox="288 797 1329 853">A GRUNDFOS Hydro Multi-E booster set consists of 2 to 4 speed controlled CR pumps (CRE pumps).</p> <p data-bbox="288 860 1315 887">Each CRE pump is equipped with an integrated variable frequency drive motor (MLE motor).</p> <ul data-bbox="339 918 1366 1093" style="list-style-type: none"><li>- Hydro Multi-E maintains constant pressure through continuous adjustment of the speed of the pumps.</li><li>- The system performance is adapted to the demand through cutting in/out the required number of pumps and through parallel control of the pumps in operation.</li><li>- Pump cascade control is based on first on first off to ensure equal pump wear.</li><li>- All pumps in operation will run at equal speed.</li></ul> <p data-bbox="288 1124 1324 1180">GRUNDFOS Hydro Multi-E booster sets are designed for pressure boosting of clean water in residential/commercial building, municipal, industrial, and irrigation applications.</p> <p data-bbox="288 1211 1372 1312">The control of the Hydro Multi-E system is accomplished through Proportional-Integral control via a multi-pump controller card mounted in one of the MLE motors. The Hydro Multi-E system start/stop and set-point adjustment is possible through the use of two push buttons located on the MLE motor or with the R100 remote controller.</p> <p data-bbox="288 1352 691 1379">The system consists of these parts:</p> <ul data-bbox="339 1386 1370 1731" style="list-style-type: none"><li>- Suction manifold and discharge manifold made of 316 stainless steel.</li><li>- Base frame made of 304 stainless steel.</li><li>- One non-return valve (check valve), and two isolating valves for each pump.</li><li>- Adapter with isolating valve for connection diaphragm tank.</li><li>- Pressure gauge on suction and discharge manifolds.</li><li>- Pressure transducer on discharge manifold.</li><li>- Dry-running protection is standard with use of differential pressure switch on suction manifold.</li><li>- A service disconnect switch located in a NEMA 3R enclosure is mounted to each pump for ease of service.</li><li>- Grundfos bus communication with optional gateway connections for LON, Modbus, Profibus, BACnet, GSM</li></ul> <p data-bbox="288 1767 1294 1823">When delivered, the GRUNDFOS Hydro Multi-E booster set is factory tested and ready for operation.</p> <p data-bbox="288 1854 799 1881">Diaphragm tank is available as an accessory.</p> <p data-bbox="288 1912 384 1939"><b>Liquid:</b></p> <table data-bbox="288 1944 798 2027"><tr><td>Pumped liquid:</td><td>Water</td></tr><tr><td>Liquid temperature range:</td><td>32 .. 176 °F</td></tr><tr><td>Selected liquid temperature:</td><td>68 °F</td></tr></table> | Pumped liquid: | Water | Liquid temperature range: | 32 .. 176 °F | Selected liquid temperature: | 68 °F |
| Pumped liquid:               | Water   |                |       |                           |              |                              |       |
| Liquid temperature range:    | 32 .. 176 °F  |                |       |                           |              |                              |       |
| Selected liquid temperature: | 68 °F   |                |       |                           |              |                              |       |

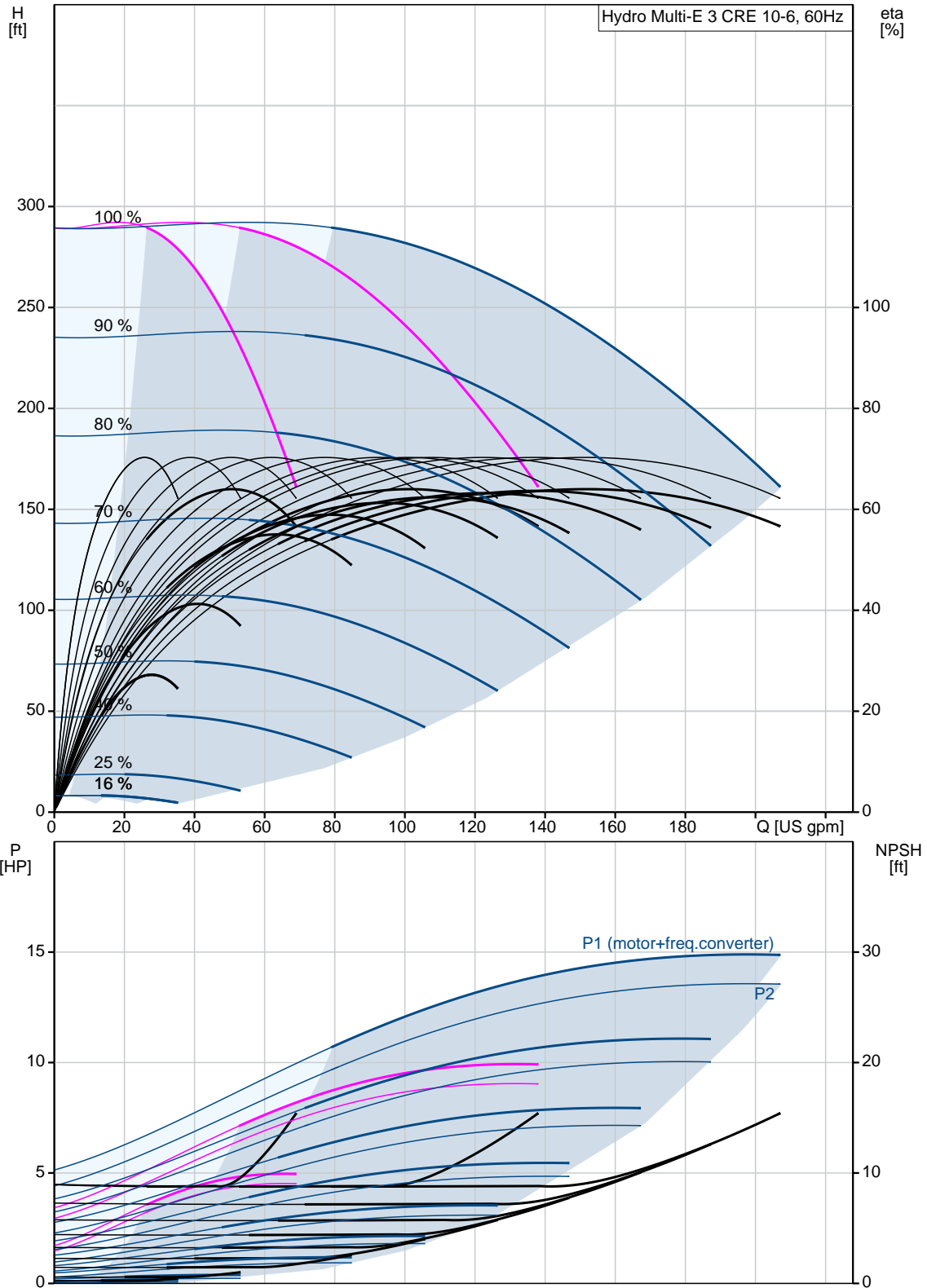


Company name: Hurley Engineering  
Created by:  
Phone:

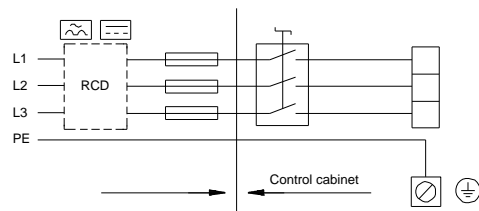
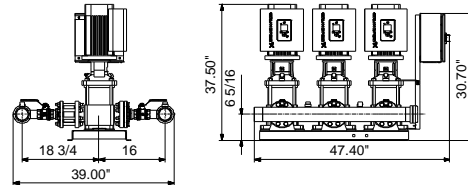
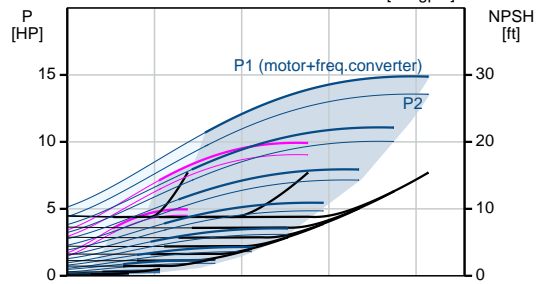
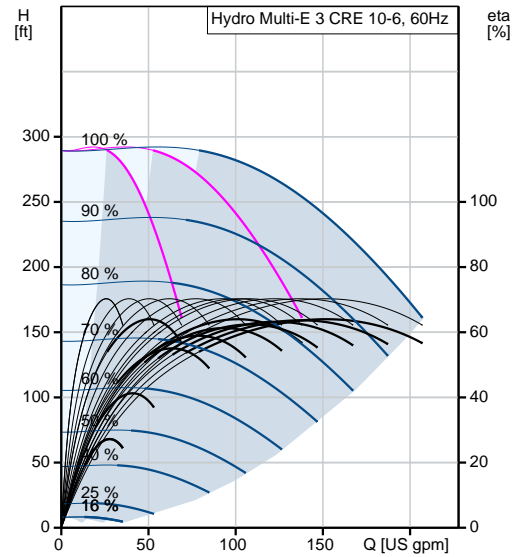
Date: 3/24/2020

| Count | Description                                    |
|-------|--|
|       | Density: 62.29 lb/ft <sup>3</sup>              |
|       | <b>Materials:</b>                              |
|       | Pump housing: Cast iron                        |
|       | <b>Installation:</b>                           |
|       | Maximum operating pressure: 232.06 psi         |
|       | Maximum permissible inlet pressure: 145.04 psi |
|       | Manifold inlet: 3" NPT                         |
|       | Manifold outlet: 3" NPT                        |
|       | <b>Electrical data:</b>                        |
|       | Power (P2) main pump: 5 HP                     |
|       | Main frequency: 60 Hz                          |
|       | Rated voltage: 3 x 208-230 V                   |
|       | Rated voltage main pump: 3 x 230 V             |
|       | Rated current: 41.4 A                          |
|       | Start. method: electronically                  |
|       | Radio interference supression: IEC/CISPR 11-1B |
|       | <b>Tank:</b>                                   |
|       | Diaphragm tank: No                             |
|       | <b>Others:</b>                                 |
|       | Net weight: 729 lb                             |
|       | Gross weight: 952 lb                           |
|       | Shipping volume: 89.7 ft <sup>3</sup>          |

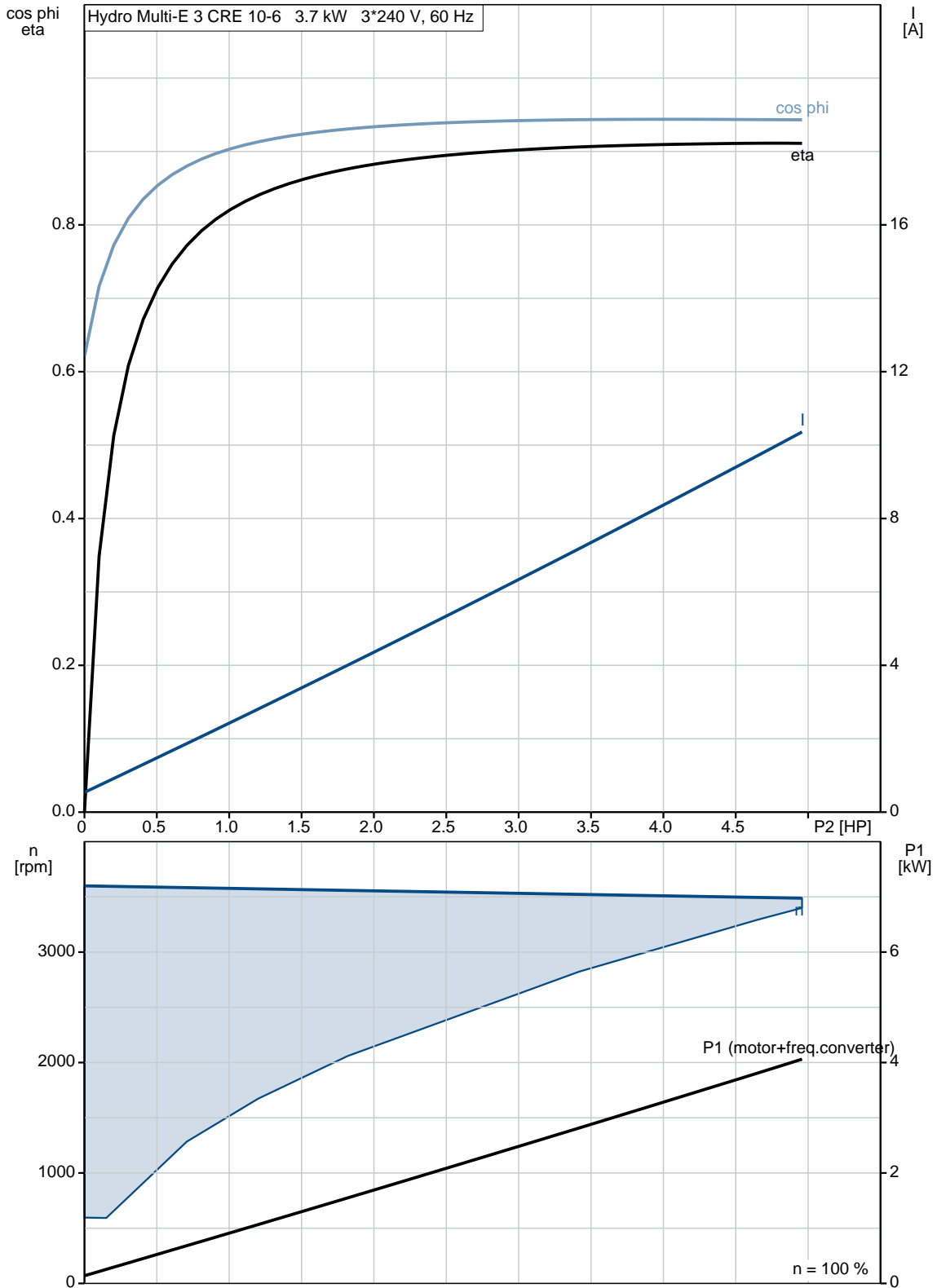
**On request Hydro Multi-E 3 CRE 10-6 60 Hz**



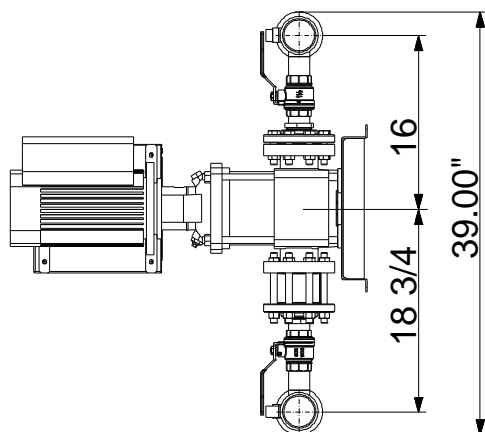
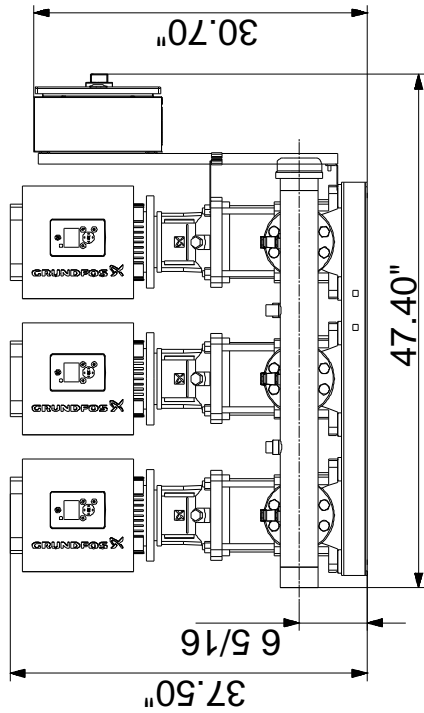
| Description                         | Value                    |
|-------------------------------------|--------------------------|
| <b>General information:</b>         |                          |
| Product name:                       | Hydro Multi-E 3 CRE 10-6 |
| Product No.:                        | On request               |
| EAN:                                | On request               |
| <b>Technical:</b>                   |                          |
| Min flow system:                    | 0 US gpm                 |
| Max flow system:                    | 211 US gpm               |
| Maximum head:                       | 289.1 ft                 |
| Pump name:                          | CRE10-6                  |
| Number of pumps:                    | 3                        |
| <b>Materials:</b>                   |                          |
| Pump housing:                       | Cast iron                |
| Manifolds:                          | Stainless steel          |
| <b>Installation:</b>                |                          |
| Maximum operating pressure:         | 232.06 psi               |
| Maximum permissible inlet pressure: | 145.04 psi               |
| Manifold inlet:                     | 3" NPT                   |
| Manifold outlet:                    | 3" NPT                   |
| <b>Liquid:</b>                      |                          |
| Pumped liquid:                      | Water                    |
| Liquid temperature range:           | 32 .. 176 °F             |
| Selected liquid temperature:        | 68 °F                    |
| Density:                            | 62.29 lb/ft <sup>3</sup> |
| <b>Electrical data:</b>             |                          |
| Power (P2) main pump:               | 5 HP                     |
| Main frequency:                     | 60 Hz                    |
| Rated voltage:                      | 3 x 208-230 V            |
| Rated voltage main pump:            | 3 x 230 V                |
| Rated current:                      | 41.4 A                   |
| Start. method:                      | electronically           |
| Radio interference supression:      | IEC/CISPR 11-1B          |
| <b>Tank:</b>                        |                          |
| Diaphragm tank:                     | No                       |
| <b>Others:</b>                      |                          |
| Net weight:                         | 729 lb                   |
| Gross weight:                       | 952 lb                   |
| Shipping volume:                    | 89.7 ft <sup>3</sup>     |
| Sales region:                       | Namreg                   |



**On request Hydro Multi-E 3 CRE 10-6 60 Hz**



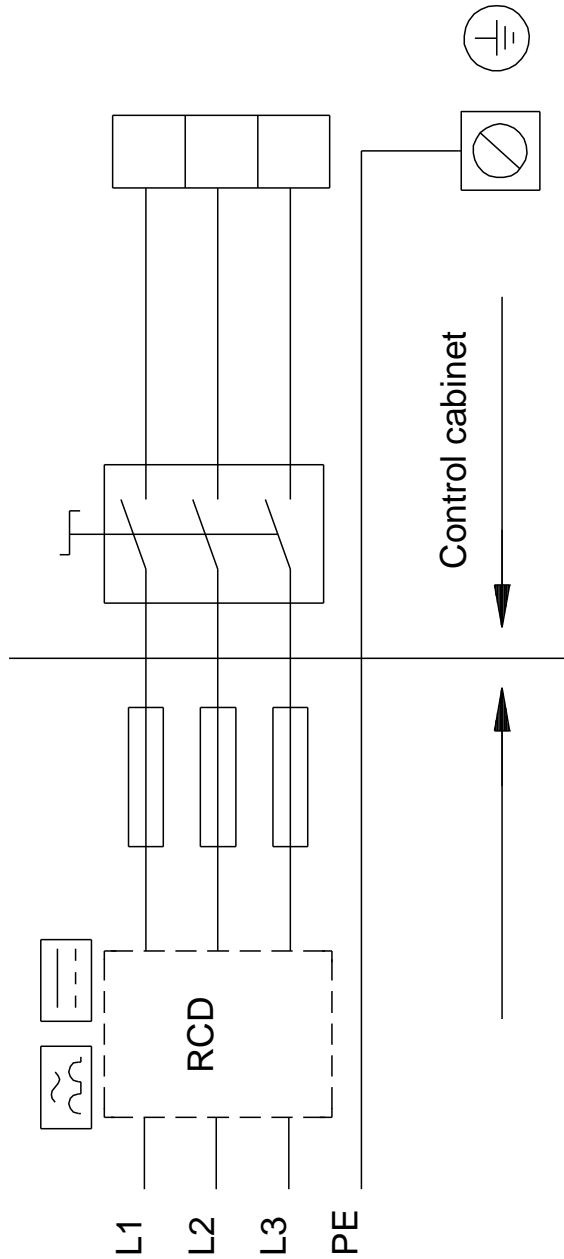
## On request Hydro Multi-E 3 CRE 10-6 60 Hz



Note! All units are in [in] unless otherwise stated.  
Disclaimer: This simplified dimensional drawing does not show all details.



**On request Hydro Multi-E 3 CRE 10-6 60 Hz**



All units are [in] unless otherwise presented.