

RCH-800L, 1000L, 1250L • RNC-1501L, 2001L

HEAVY DUTY TABLES • LARGE PART CAPACITY

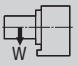

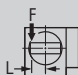
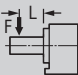
The RNC-Series extra large, high capacity rotary tables are designed for horizontal use only. The RNC tables feature high rigidity and massive clamp torque for extremely accurate machining of heavy workpieces.



RNC-1201L

Specifications ►

Dimensions = mm

Table Model		RCH-800L	RCH-1000L	RCH-1250L	RNC-1501L	RNC-2001L
Table diameter	mm	800	1,000	1,250	1,500	2,000
Table height	mm	320	330	410	400	620
Center bore	Nose Diameter	mm	75H7	75H7	75H7	225H7
Table T-slot width		18H7	22H7	22H7	28H7	28H7
Guide block width		22h7	22h7	22h7	-	-
Servo motor (Fanuc)*		Alpha 12i	Alpha 22i	Alpha 22i	Alpha 22i	Alpha 30i
Maximum motor speed	rpm	3,000	3,000	3,000	3,000	2,000
Speed reduction ratio		1/360	1/360	1/720	1/720	1/720
Maximum table speed	rpm	8.3	8.3	4.2	4.2	2.8
Inertia converted into motor shaft	x 10 ⁻³ kg·m ²	4.3	12.8	5.2	5.6	17.2
Clamp system**		Hydraulic				
Clamp torque @500psi	Nm (ft. lbs.)	7,000 (5,160)	20,000 (14,740)	33,000 (24,321)	9,800 (7,223)	19,600 (14,445)
Indexing accuracy	arc sec.	±7.5				
Repeatability	arc sec.	±2				
Net Weight	kg (lbs.)	1,150 (2,530)	1,700 (3,700)	3,100 (6,820)	3,600 (7,920)	8,000 (17,600)
Allowable wheel torque	Nm (ft. lbs.)	7,840 (5,778)	13,230 (9,751)	21,560 (15,890)	21,560 (15,890)	49,000 (36,113)
Allowable work inertia	kg·m ²	120	392	2,255	2,255	4,900
Allowable load when table clamped	 kg (lbs)	4,000 (8,800)	7,000 (15,400)	14,000 (30,800)	14,000 (30,800)	36,000 (79,200)
	 N (lbf)	100,000 (22,400)	185,000 (36,736)	383,000 (50,400)	265,000 (59,360)	397,000 (88,928)
	 Nm (ft. lbs.)	6,860 (5,056)	20,000 (14,740)	33,000 (24,321)	9,800 (7,223)	19,600 (14,445)
	 Nm (ft. lbs.)	10,400 (7,664)	19,700 (14,518)	33,400 (24,615)	46,800 (34,491)	93,100 (68,614)

* Other motors & RPM available

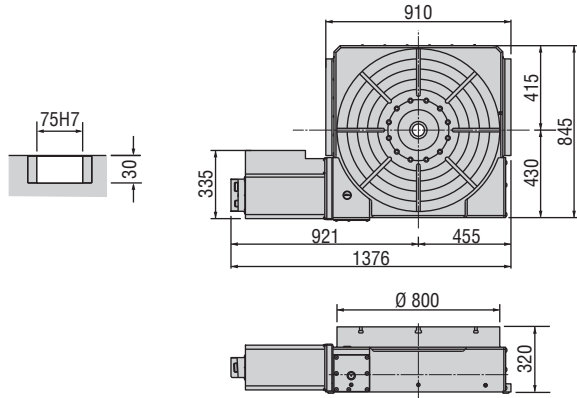
** Booster optional

Specifications subject to change without notice

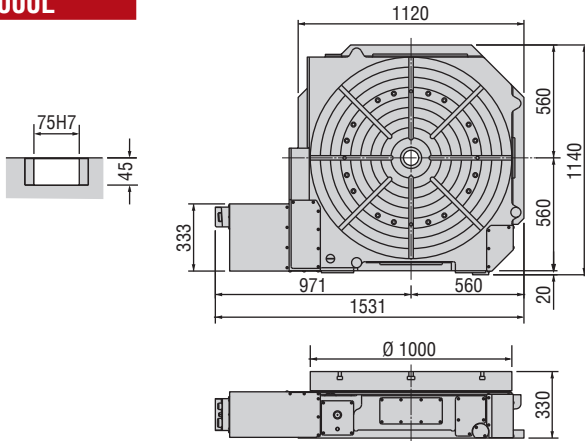
Dimensions ▶

Drawings not to scale • Dimensions = mm

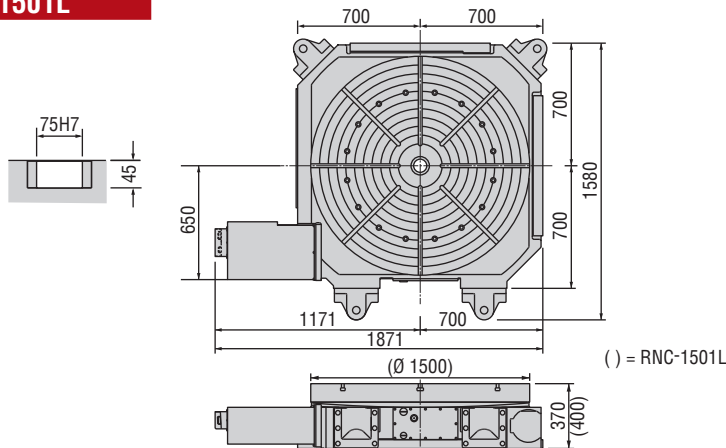
RCH-800L



RCH-1000L



RNC-1501L



The dimensions above are for tables with a FANUC servo motor. Other motors available (dimensions may increase).

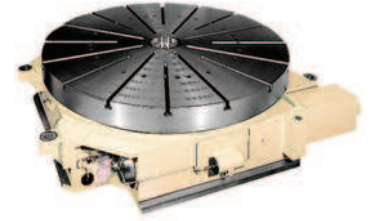
Clamping Block and Bolt ▶

Dimensions = mm

	Type	Q'ty	T-Slot Width	A	B	C	D	E	F	G	H	I	J	K	L	M
RCH-800L	II	4	22	40	20	85	24	20	41	60	27	13	115	80	32	20
RCH-1000L	II	4-8	22	40	20	85	24	20	41	60	27	13	115	80	32	20
RCH-1250L	II	4-8	22	50	20	74	20	18	36	70	27	13	130	70	32	20
RNC-1501L	IV	4-8	28	50	20	74	20	18	36	77	15	17.5	120	70	41	24
RNC-2001L	IV	4-8	28	50	20	74	20	18	36	76	22	24	120	70	41	24

Note: When using a machine with a T-slot pitch other than the above, use suitable clamping blocks and bolts that are available on the market, or order custom-made ones from KOMA (opt.)

● RNC-2001L



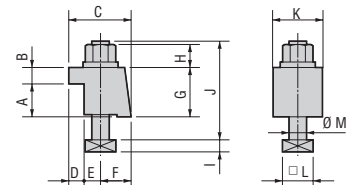
● OPTIONAL TPC5 SERIES NC Controller



Options & Accessories

TPC NC Controller	p.66
Chucks	p.77
Support Spindle	p.79
Encoder / Scale	p.82
Rotary Joint	p.83
Air/Hydraulic Booster	p.84
PVC or Steel Cables	p.84

Type II



Type IV

