

RNCK-501, 631, 631-BB

POWERFUL HYDRAULIC CLAMPING

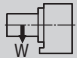


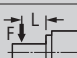
The RNCK-Series rotary tables have been designed for use on horizontal machining centers. These tables are typically pallet mounted for use in high production machining environments.



RNCK-631

Specifications ▶

Dimensions = mm

Table Model		RNCK-501	RNCK-631	RNCK-631-BB
Table diameter	mm	500	630	630
Center height	mm	310	400	400
Center bore	Nose Diameter	mm	60H6	320H7
	Thru Diameter	mm	50	320
Table T-slot width		18H7		
Guide block width		18h7		
Servo motor (Fanuc)*		Alpha 12i		
Maximum motor speed	rpm	3,000		
Speed reduction ratio		1/180		
Maximum table speed	rpm	16.7		
Inertia converted into motor shaft	$\times 10^{-3} \text{kg}\cdot\text{m}^2$	3.09	5.55	5.55
Clamp system**		Hydraulic		
Clamp torque @500psi	Nm (ft. lbs.)	2,450 (1,806)	4,410 (3,250)	4,410 (3,250)
Indexing accuracy	arc sec.	±7.5	±7.5	±7.5
Repeatability	arc sec.	±2	±2	±2
Net Weight	kg (lbs.)	450 (990)	800 (1,760)	800 (1,760)
Allowable wheel torque	Nm (ft. lbs.)	2,450 (1,806)	4,116 (3,033)	4,116 (3,033)
Allowable work inertia	kg·m ²	18.2	39.7	39.7
Allowable load when table clamped	 kg (lbs) [w/ tailstock]	250 (550) [600 (1,320)]	400 (880) [800 (1,760)]	400 (880) [800 (1,760)]
	 N (lbf)	49,000 (10,976)	49,000 (10,976)	49,000 (10,976)
	 Nm (ft. lbs.)	2,450 (1,806)	4,410 (3,250)	4,410 (3,250)
	 Nm (ft. lbs.)	3,430 (2,528)	7,840 (5,778)	7,840 (5,778)

* Other motors & RPM available

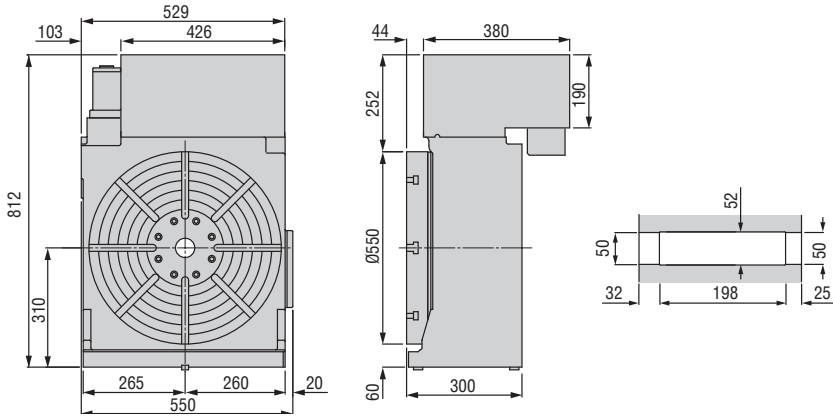
** Booster optional

Specifications subject to change without notice

Dimensions ▶

Drawings not to scale • Dimensions = mm

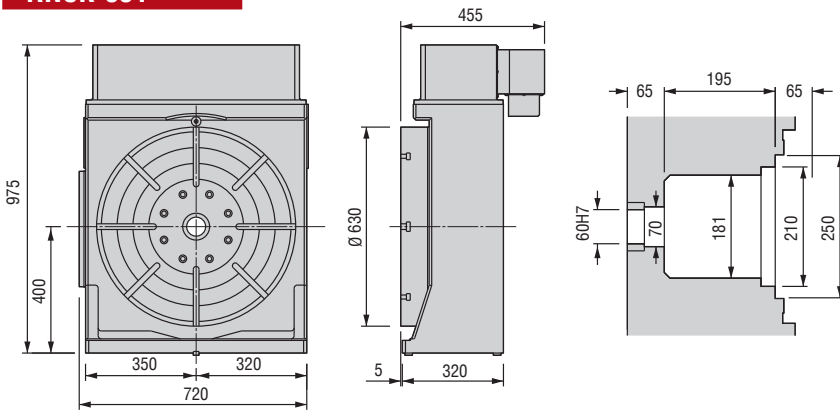
RNCK-501



• RNCK-631 Optional Swivel Box



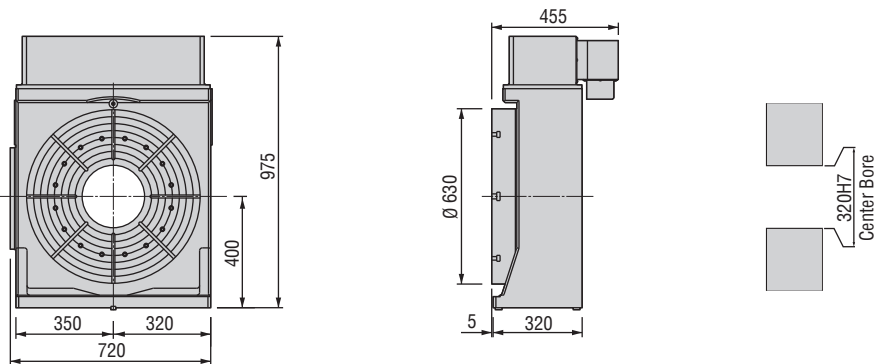
RNCK-631



• RNCK-631-BB



RNCK-631-BB



Options & Accessories

TPC NC Controller	p.66
Chucks	p.77
Tailstock	p.79
Support Spindle	p.79
Encoder / Scale	p.82
Pull Stud Device	p.83
Rotary Joint	p.83
Air/Hydraulic Booster	p.84
PVC or Steel Cables	p.84

The dimensions above are for tables with a FANUC servo motor. Other motors available (dimensions may increase).

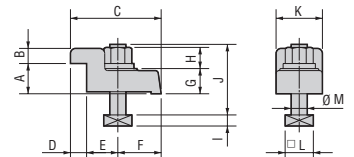
Clamping Block and Bolt ▶

Dimensions = mm

	Type	Q'ty	T-Slot Width	A	B	C	D	E	F	G	H	I	J	K	L	M
RNCK-501	I	4	18	40	20	109	18	42	50	25	21	11	70	46	28	16
RNCK-631	II	4	18	40	18	63	18	15	30	58	21	11	105	60	28	16
RNCK-631-BB	II	4	18	40	18	63	18	15	30	58	21	11	105	60	28	16

Note: When using a machine with a T-slot pitch other than the above, use suitable clamping blocks and bolts that are available on the market, or order custom-made ones from KOMA (opt.)

Type I



Type II

