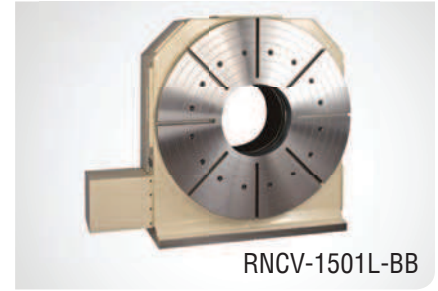


RNCV-1501L, 1501L-BB

EXTRA LARGE TABLE • POWERFUL HYDRAULIC CLAMPING

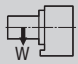

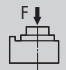
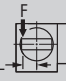
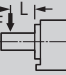
The RNCV-Series Big Bore rotary tables feature powerful hydraulic clamping and are available with options including scales, rotary joints, air/hydraulic boosters, and various motor mounting positions.



RNCV-1501L-BB

Specifications ▶

Dimensions = mm

Table Model		RNCV -1501L	RNCV-1501L-BB
Versions available		L	L
Table diameter	mm	1,500	1,500
Center height	mm	950	950
Center bore	Nose Diameter	mm	75H7
	Thru Diameter	mm	-
Table T-slot width		28H7	28H7
Guide block width		28h7	28h7
Servo motor (Fanuc) *		Alpha 22i	Alpha 22i
Maximum motor speed	rpm	3,000	3,000
Speed reduction ratio		1/720	1/720
Maximum table speed	rpm	4.17	4.17
Inertia converted into motor shaft	$\times 10^{-3} \text{kg} \cdot \text{m}^2$	12.8	12.8
Clamp system **		Hydraulic	Hydraulic
Clamp torque @500psi	Nm (ft. lbs.)	17,650 (13,008)	17,650 (13,008)
Indexing accuracy	arc sec.	± 7.5	± 7.5
Repeatability	arc sec.	± 2	± 2
Net Weight	kg (lbs.)	7,000 (15,400)	7,000 (15,400)
Allowable wheel torque	Nm (ft. lbs.)	21,560 (15,889)	21,560 (15,889)
Allowable work inertia	$\text{kg} \cdot \text{m}^2$	2,255	2,255
Allowable work weight	 kg (lbs) [w/ tailstock]	8,500 (18,700) [18,700 (41,140)]	8,500 (18,700) [18,700 (41,140)]
	 kg (lbs)	17,000 (37,400)	17,000 (37,400)
Allowable load when table clamped	 N (lbf)	265,000 (59,360)	265,000 (59,360)
	 Nm (ft. lbs.)	17,650 (13,008)	17,650 (13,008)
	 Nm (ft. lbs.)	46,800 (34,491)	46,800 (34,491)

* Other motors & RPM available

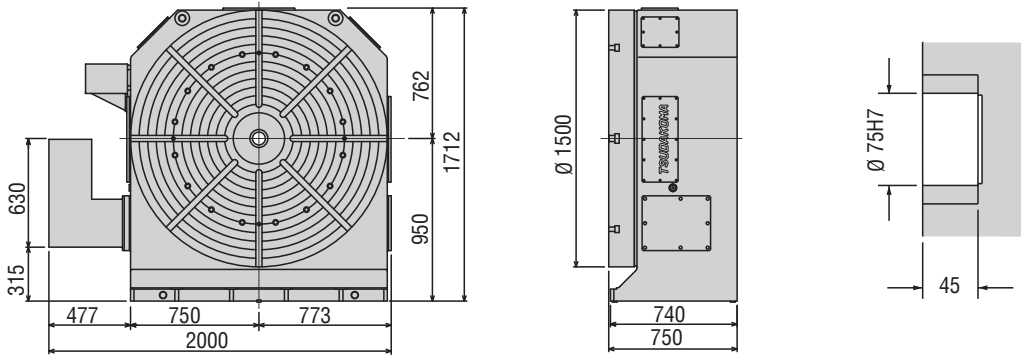
** Booster optional

Specifications subject to change without notice

Dimensions ▶

Drawings not to scale • Dimensions = mm

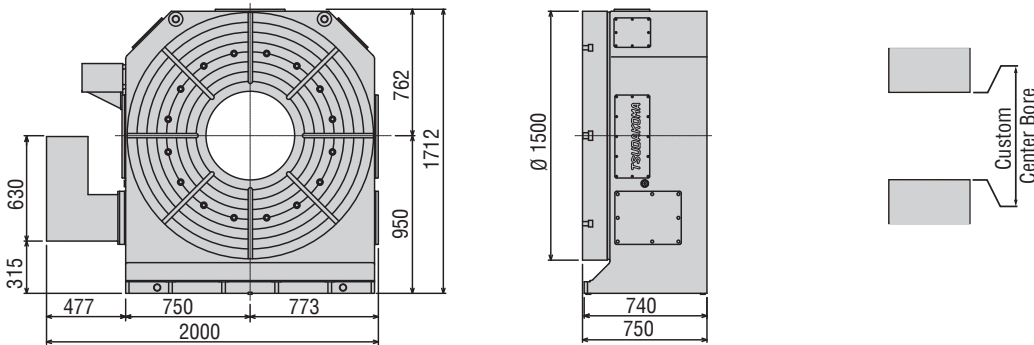
RNCV-1501L



● RNCV-1201L-BB Scale Installation



RNCV-1501L-BB



The dimensions above are for tables with a FANUC servo motor. Other motors available (dimensions may increase).

Options & Accessories

TPC NC Controller	p.66
Chucks	p.77
Tailstock	p.79
Support Spindle	p.79
Encoder / Scale	p.82
Pull Stud Device	p.83
Rotary Joint	p.83
Air/Hydraulic Booster	p.84
PVC or Steel Cables	p.84

Clamping Block and Bolt ▶

Dimensions = mm

	Type	Q'ty	T-Slot Width	A	B	C	D	E	F	G	H	I	J	K	L	M
RNCV-1501L	IV	8	28	70	35	95	29	16	50	112	15	17.5	160	100	41.3	24
RNCV-1501L-BB	IV	8	28	70	35	95	29	16	50	112	15	17.5	160	100	41.3	24

Note: When using a machine with a T-slot pitch other than the above, use suitable clamping blocks and bolts that are available on the market, or order custom-made ones from KOMA (opt.)

Type IV

