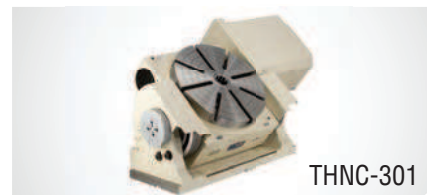

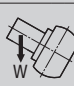
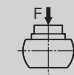
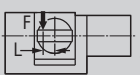
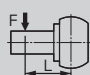


THNC-251, 301

ROTARY/TILT TABLE WITH MANUAL TILT

The THNC-Series tables have a NC controlled rotary axis and a manual tilt axis. The highly rigid body incorporates a powerful hydraulic clamp mechanism.



Model		THNC-251		THNC-301	
Tilt Range		0° ~ +93°			
Table diameter	mm	250		320	
Table height at 0° position	mm	230		265	
Center height at 90° position	mm	210		235	
Center bore	Nose Diameter	40H7		40H7	
	Thru Diameter	32		40	
Table T-slot width		12H7		14H7	
Guide block width		18h7		18h7	
Servo motor (Fanuc)*		Rotary	Tilt	Rotary	Tilt
		Alpha 4i	Manual	Alpha 8i	Manual
Maximum motor speed	rpm	4,000	-	3,000	-
Speed reduction ratio		1/180	-	1/180	-
Maximum table speed	rpm	22.2	-	16.7	-
Inertia converted into motor shaft	x 10 ⁻³ kg·m ²	.24	-	.34	-
Clamp system		Hydraulic** @500psi	Manual @19.6 Nm (14.4 ft.lbs.)	Hydraulic** @500psi	Manual @35.3 Nm (26 ft.lbs.)
Clamp torque	Nm (ft. lbs.)	490 (361)	490 (361)	833 (614)	1,862 (1,372)
Indexing accuracy	arc sec.	±7.5	±30	±7.5	±30
Indexing repeatability	arc sec.	±2	-	±2	-
Net Weight	kg (lbs.)	125 (275)		180 (396)	
Allowable wheel torque - rotary	Nm (ft. lbs.)	470 (346)		764 (563)	
Allowable work inertia	kg·m ²	.62		2.25	
Allowable work weight	0° tilt angle 	kg (lbs)	80 (176)	200 (440)	
	0° ~ 90° tilt angle 	kg (lbs)	40 (88)	100 (220)	
Allowable load when table clamped		N (lbf)	6,860 (1,537)	9,800 (2,195)	
		Nm (ft. lbs.)	490 (361)	833 (614)	
		Nm (ft. lbs.)	490 (361)	1,862 (1,372)	

* Other motors & RPM available

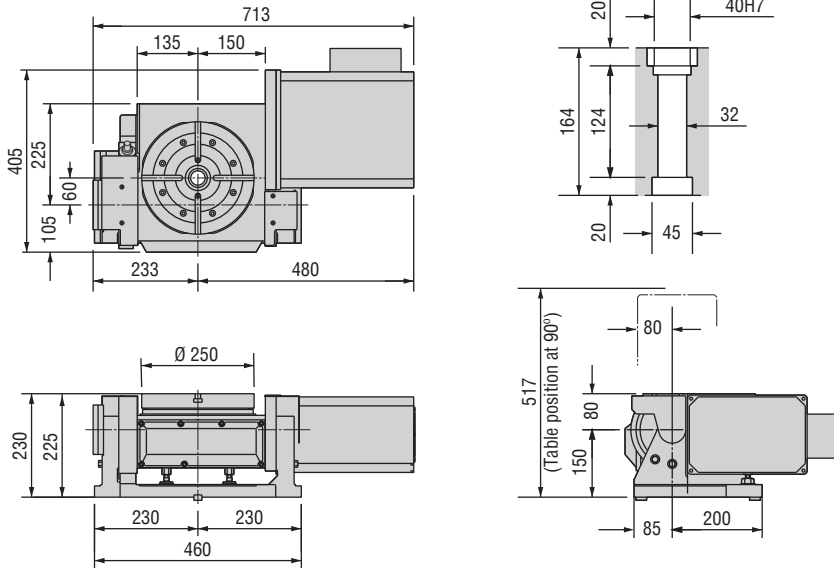
** Booster optional

Specifications subject to change without notice

Dimensions ▶

Drawings not to scale • Dimensions = mm

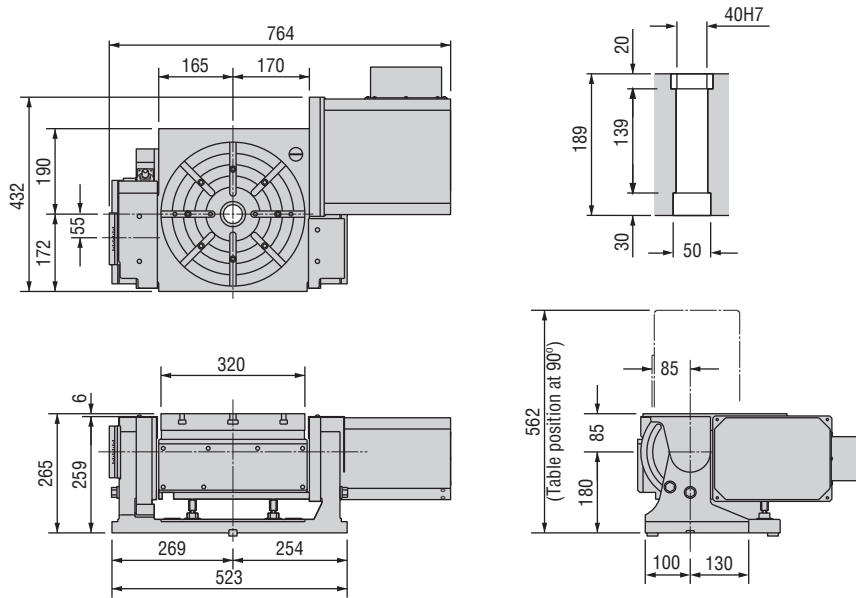
THNC-251



• OPTIONAL TPC5 SERIES NC Controller



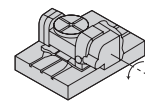
THNC-301



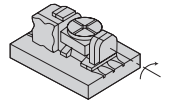
Options & Accessories

TPC NC Controller	p.66
Chucks	p.77
Tailstock	p.79
Support Spindle	p.79
Encoder / Scale	p.82
Pull Stud Device	p.83
Rotary Joint	p.83
Air/Hydraulic Booster	p.84
PVC or Steel Cables	p.84

Layout a

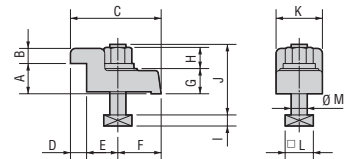


Layout b

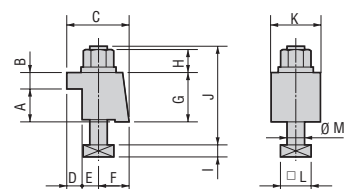


The dimensions above are for tables with a FANUC servo motor. Other motors available (dimensions may increase).

Type I



Type II



Clamping Block and Bolt ▶

Dimensions = mm

	Type	Q'ty	Layout	T-Slot Width	A	B	C	D	E	F	G	H	I	J	K	L	M
THNC-251	I	4	a b	18	25	12	80	12	33	35	22	21	11	65	40	28	16
THNC-301	II	4	a b	18	25	15	52	12	15	25	40	21	11	85	40	28	16

Note 1: In the case of layout b, contact us for details about mounting.

Note 2: When using a machine with a T-slot pitch other than the above, use suitable clamping blocks and bolts that are available on the market, or order custom-made ones from KOMA (opt.)