

# troyke<sup>o</sup> CTL Series

Centerline Tilting – Heavy Duty

## Standard Features:

- 2 sizes (6.5" and 10" table diameters)
- Dual lead wormset simplifies backlash adjustment
- C907 bronze wormgears and a hardened and ground worms running in a bath of oil
- High precision spindle bearings
- Turcite bearing surface
- Internal pneumatic brake (Rotary Axis)
- Precision ground surfaces
- Zero return / home switches (Both Axis)
- +/- overtravel limit switches (Tilt Axis)

## Optional Features:

- Oversize thru hole
- Chucks - (Manual or Pneumatic)
- Collet fixtures - (Manual or Pneumatic)
- Tailstocks – (Manual or Pneumatic)
- Alternate handwheel location (Tilt Axis)
- Single Axis programmable control
- Manual, pneumatic, or hydraulic brake
- Air-over-hydraulic unit (AHU)
- Ball Lock™ sub plate and fixture plate
- Cables - for interfacing to machine tool
- Compatible with all standard servo motors
- Direct mount feedback (Heidenhain scale for accuracy up to +/- 2 arc seconds)

**A MODEL** – (MANUAL TILT / MANUAL ROTARY)

**B MODEL** – (MANUAL TILT / NC POWERED ROTARY)

**C MODEL** – (NC POWERED TILT / NC POWERED ROTARY)

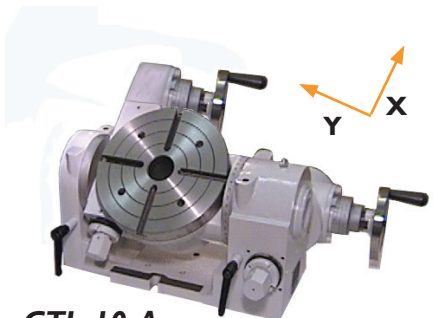
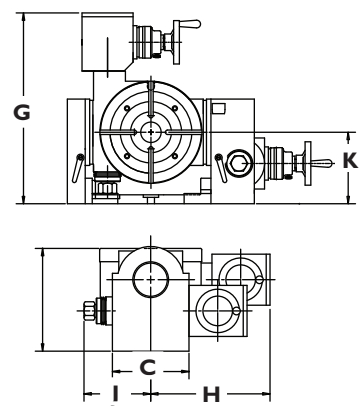
### SPECIFICATIONS - ROTARY AXIS

MODEL	CTL-6.5-A	CTL-6.5-B	CTL-6.5-C	CTL-10-A	CTL-10-B	CTL-10-C
TURNTABLE DIAMETER [MM]	6.50 [165]	6.50 [165]	6.50 [165]	10.00 [254]	10.00 [254]	10.00 [254]
STANDARD THRU HOLE DIA [MM]	1.181 [30.0]	1.181 [30.0]	1.181 [30.0]	1.968 [50.0]	1.968 [50.0]	1.968 [50.0]
OVERSIZE THRU HOLE DIA [MM]	N/A	N/A	N/A	3.000 [76.2]	3.000 [76.2]	3.000 [76.2]
MAXIMUM LOAD CAPACITY [KG]	75 [34]	75 [34]	75 [34]	150 [68]	150 [68]	150 [68]
FACEPLATE T-SLOT WIDTH [MM]	.47 [12] X 4	.47 [12] X 4	.47 [12] X 4	.47 [12] X 4	.47 [12] X 4	.47 [12] X 4
STANDARD TOTAL GEAR RATIO	90:1	90:1	90:1	90:1	180:1	180:1
MAX. SPEED RANGE (STD RATIO)	N/A	0-20 RPM	0-20 RPM	N/A	0-10 RPM	0-10 RPM
CONTINUOUS TORQUE LBS-FT [NM]	N/A	75 [101]	75 [101]	N/A	300 [42]	300 [42]
BRAKE METHOD	PNEUMATIC	PNEUMATIC	PNEUMATIC	PNEUMATIC	PNEUMATIC	PNEUMATIC
BRAKE TORQUE LBS-FT [NM]	125 [169]	125 [169]	125 [169]	300 [407]	300 [407]	300 [407]
PROGRAMMABLE RESOLUTION	N/A	.001 DEG.	.001 DEG.	N/A	.001 DEG.	.001 DEG.
STD. TOTAL ANGULAR ACCURACY	+/-60 SEC.	+/-60 SEC.	+/-60 SEC.	+/-30 SEC.	+/-30 SEC.	+/-30 SEC.
STD. REPEATABILITY	+/-10 SEC.	+/-10 SEC.	+/-10 SEC.	+/-10 SEC.	+/-10 SEC.	+/-10 SEC.
UNIT WEIGHT LBS [KG]	200 [91]	200 [91]	200 [91]	300 [136]	300 [136]	300 [136]
SHIP WEIGHT LBS [KG]	275 [125]	275 [125]	275 [125]	375 [170]	375 [170]	375 [170]

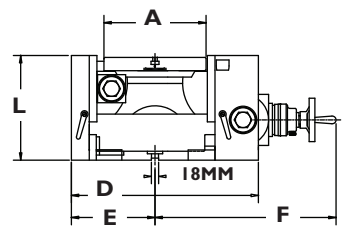
\* Requires AHU Option

### SPECIFICATIONS - TILT AXIS

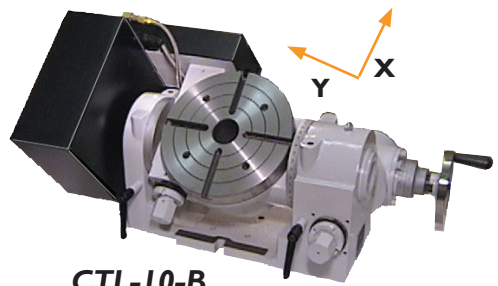
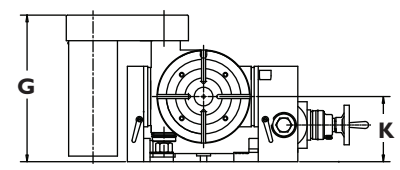
MODEL	CTL-6.5-A	CTL-6.5-B	CTL-6.5-C	CTL-10-A	CTL-10-B	CTL-10-C
STANDARD TOTAL GEAR RATIO	180:1	180:1	180:1	180:1	180:1	180:1
MAX. SPEED RANGE (STD RATIO)	N/A	N/A	0-1 RPM	N/A	N/A	0-1 RPM
BRAKE METHOD	MANUAL	MANUAL	PNEUMATIC	MANUAL	MANUAL	*HYDRAULIC
BRAKE TORQUE @ 100 PSI LBS-FT [NM]	125 [169]	125 [169]	200 [270]	200 [270]	200 [270]	200 [270]
MAXIMUM TILT AXIS TRAVEL	-5 / +100 DEG	-5 / +100 DEG	-5 / +100 DEG	-5 / +110 DEG	-5 / +110 DEG	-5 / +110 DEG
CENTER HEIGHT @ 90 DEG POSITION	4.75 [120.7]	4.75 [120.7]	4.75 [120.7]	7.00 [177.8]	7.00 [177.8]	7.00 [177.8]
TURNTABLE HEIGHT @ 0 DEG POSITION	8.00 [203]	8.00 [203]	8.00 [203]	10.06 [256]	10.06 [256]	10.06 [256]
STD. TOTAL ANGULAR ACCURACY	+/-60 SEC.	+/-60 SEC.	+/-60 SEC.	+/-60 SEC.	+/-60 SEC.	+/-60 SEC.
STD. REPEATABILITY	+/-10 SEC.	+/-10 SEC.	+/-10 SEC.	+/-10 SEC.	+/-10 SEC.	+/-10 SEC.



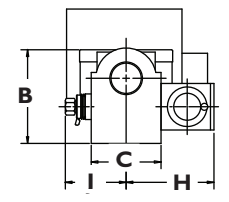
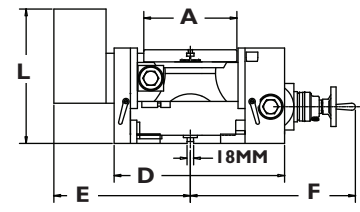
**CTL-10-A  
MANUAL TILT/MANUAL ROTARY**



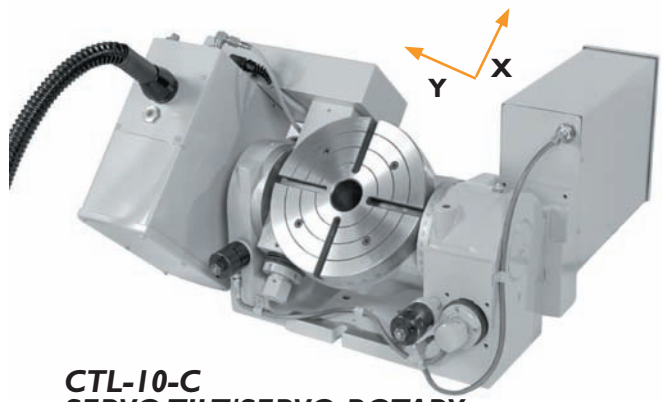
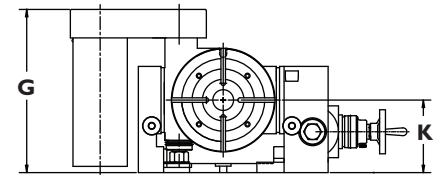
MODEL	A	B	C	D	E	F	G	H	J	K	L
CTL-6.5-A	6.50 [165]	6.75 [171]	7.25 [184]	13.25 [336]	5.43 [137]	15.25 [387]	14.00 [355]	8.81 [223]	5.63 [143]	4.75 [120]	7.00 [177]
CTL-10-A	10.00 [254]	10.06 [256]	7.50 [191]	18.31 [465]	8.18 [207]	17.75 [450]	18.68 [474]	11.68 [296]	6.63 [168]	7.00 [177]	10.25 [260]



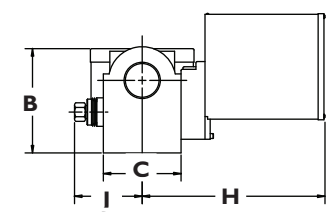
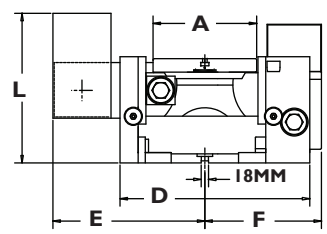
**CTL-10-B  
MANUAL TILT/SERVO ROTARY**



MODEL	A	B	C	D	E	F	G	H	J	K	L
CTL-6.5-B	6.50 [165]	6.75 [171]	7.25 [184]	13.25 [336]	12.38 [314]	15.25 [387]	16.25 [412]	8.81 [223]	5.63 [143]	4.75 [120]	8.75 [222]
CTL-10-B	10.00 [254]	10.06 [256]	7.50 [191]	18.31 [465]	14.68 [373]	17.75 [450]	15.75 [400]	9.43 [239]	6.63 [168]	7.00 [177]	14.44 [367]



**CTL-10-C  
SERVO TILT/SERVO ROTARY**



MODEL	A	B	C	D	E	F	G	H	J	K	L
CTL-6.5-C	6.50 [165]	6.75 [171]	7.25 [184]	13.25 [336]	12.38 [314]	12.00 [304]	16.25 [412]	14.00 [355]	5.63 [143]	4.75 [120]	8.75 [222]
CTL-10-C	10.00 [254]	10.06 [256]	7.50 [191]	18.31 [465]	14.68 [373]	12.38 [314]	15.75 [400]	19.50 [495]	6.63 [168]	7.00 [177]	14.44 [367]