

troyke^o HBM Series

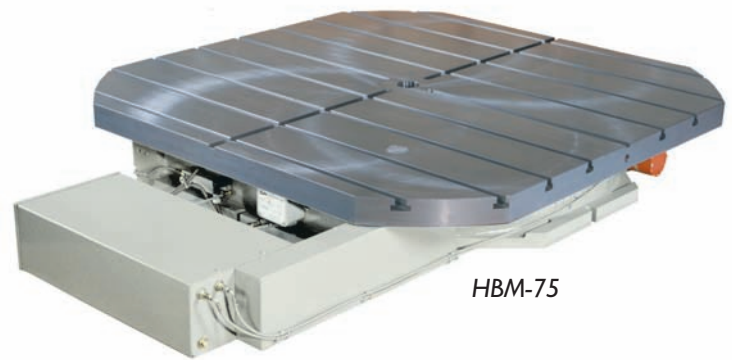
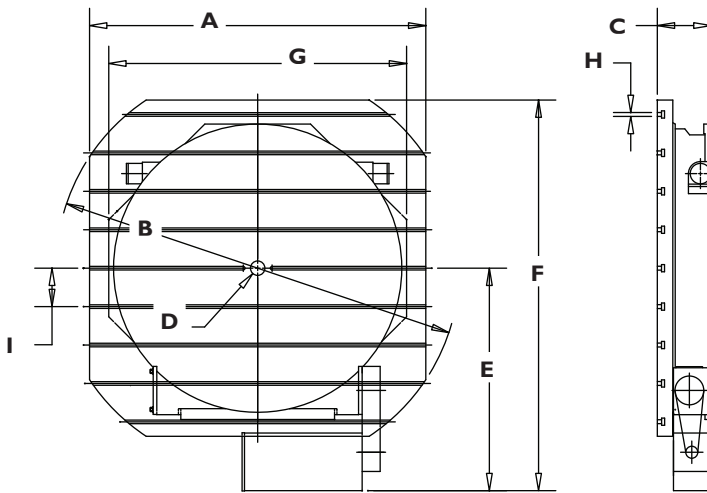
Square Tables primarily used on horizontal boring mill applications

Standard Features:

- 5 sizes (20", 30", 42", 48", 60", 75" square table)
- Load capacity (20"- 30") 4,000 lbs.; (42"-48") 7,000 lbs.; (60"-75") 15,000 lbs.;
- C907 bronze wormgear and hardened and ground worm running in a bath of oil
- 20 arc-seconds accuracy
- High precision spindle bearings
- Turcite bearing surface
- Dual rack & pinion pneumatic brake
- Precision ground surfaces

Optional Features:

- Custom table T-slot pattern
- Ball Lock™ sub plates and fixture plates
- Cables - for interfacing to machine tool
- Compatible with all standard servo motors
- Direct mount feedback (Heidenhain scale for accuracy up to +/- 2 arc seconds)



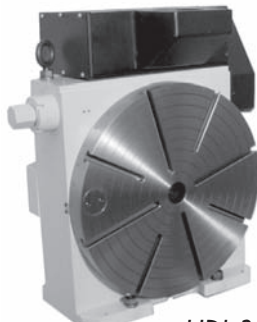
HBM-75

MODEL	A	B	C	D	E	F	G	H	J
HBM-20	20.00 SQ.	25.00	8.00	1.50	26.68	36.68	19.75	.56	4.000 (5)
HBM-30	30.00 SQ.	36.00	8.50	1.50	26.68	41.68	29.75	.68	5.000 (5)
HBM-42	42.00 SQ.	48.00	10.50	3.00	29.00	50.00	43.00	.81	6.000 (7)
HBM-60	60.00 SQ.	84.00	10.50	3.00	46.81	76.81	62.00	.81	8.000 (7)
HBM-75	75.00 SQ.	84.00	10.50	3.00	55.00	92.50	62.00	.81	8.000 (9)



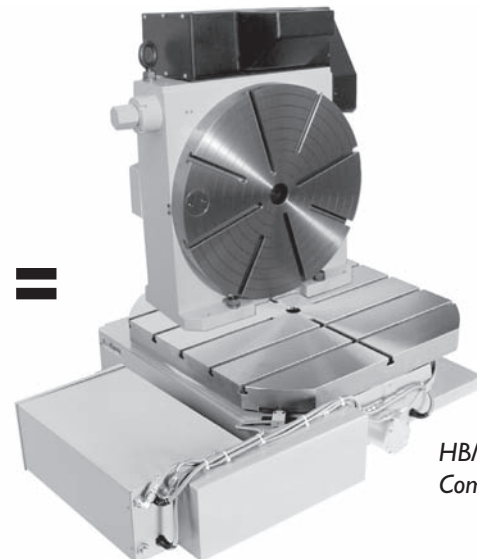
HBM-30

+



HDL-20

=



HBM and HDL
Combination