

troyke^o NC Series - A Model

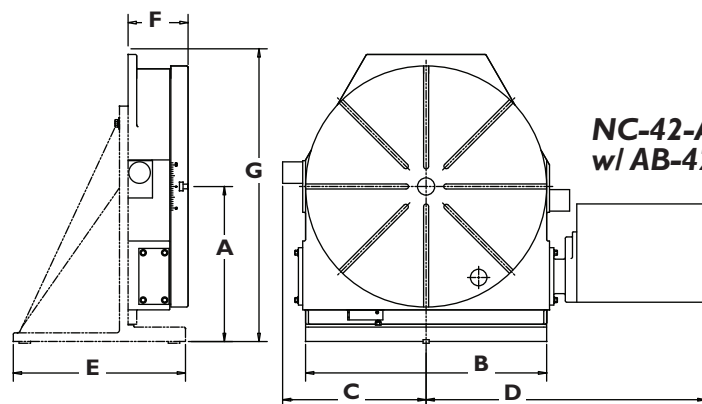
Horizontal Mount - Vertical Mount (42" - 84" requires Angle Bracket Option)

Standard Features:

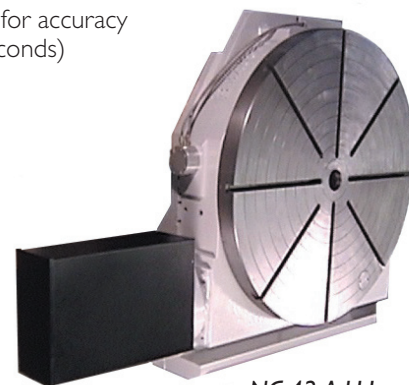
- 6 sizes (30" - 84" table diameters)
- C907 bronze wormgear and hardened and ground worm running in a bath of oil
- High precision spindle bearings
- Turcite bearing surface
- Dual rack & pinion pneumatic brake
- Precision ground surfaces

Optional Features:

- Chucks - (Manual or Pneumatic)
- Tailstocks - (Manual or Pneumatic)
- Single Axis programmable control
- Clamping outboard supports (Pneumatic or Hydraulic)
- Ball Lock™ sub plate
- Cables - for interfacing to machine tool
- Compatible with all standard servo motors
- Direct mount feedback (Heidenhain scale for accuracy up to +/- 2 arc seconds)



**NC-42-A-RH
w/ AB-42 ANGLE PLATE**



**NC-42-A-LH
w/ OPTIONAL AB-42**

MODEL	A	B	C	D	E	F	G
NC-30-A	17.75 [450]	29.75 [755]	19.50 [495]	42.68 [1084]	8.25 [209]	8.50 [215]	32.75 [831]
NC-36-A	20.00 [508]	29.75 [755]	19.50 [495]	42.68 [1084]	8.25 [209]	8.50 [215]	32.75 [831]
NC-42-A	27.00 [685]	43.00 [1092]	26.50 [673]	48.75 [1238]	30.00 [762]	10.50 [266]	50.00 [1270]
NC-48-A	27.00 [685]	43.00 [1092]	26.50 [673]	48.75 [1238]	30.00 [762]	10.50 [266]	50.00 [1270]
NC-60-A	35.50 [901]	62.00 [1574]	31.00 [787]	43.00 [1092]	30.50 [774]	10.50 [266]	65.50 [1663]
NC-84-A	43.00 [1092]	62.00 [1574]	42.00 [1066]	43.00 [1092]	30.50 [774]	10.50 [266]	85.00 [2159]

SPECIFICATIONS

MODEL	NC-30-A	NC-36-A	NC-42-A	NC-48-A	NC-60-A	NC-84-A
TURNTABLE DIAMETER [MM]	30.00 [762]	36.00 [914]	42.00 [1066]	48.00 [1219]	60.00 [1524]	84.00 [2133]
STANDARD THRU HOLE DIA [MM]	1.500 [38]	1.500 [38]	3.000 [76]	3.000 [76]	3.000 [76]	3.000 [76]
OVERSIZE THRU HOLE DIA [MM]	10.250 [260]	10.250 [260]	14.000 [357]	N/A	20.000 [508]	20.000 [508]
MAXIMUM THRU HOLE DIA [MM]	16.000 [406]	16.000 [406]	18.000 [457]	N/A	30.000 [762]	30.000 [762]
HORIZONTAL LOAD CAPACITY [KG]	4,000 [1813]	4,000 [1813]	7,000 [3173]	7,000 [3173]	15,000 [6800]	15,000 [6800]
VERTICAL LOAD CAPACITY [KG]	2,000 [906]	2,000 [906]	4,000 [1813]	4,000 [1813]	7,000 [3173]	7,000 [3173]
FACEPLATE T-SLOT WIDTH [MM]	.68 [17.2] X 6	.68 [17.2] X 6	.81 [20.5] X 6	.81 [20.5] X 6	.81 [20.5] X 6	.81 [20.5] X 6
STANDARD TOTAL GEAR RATIO	360:1	360:1	360:1	360:1	720:1	720:1
ALTERNATE TOTAL GEAR RATIO	180:1 720:1	180:1 720:1	180:1 720:1	180:1 720:1	1440:1	1440:1
MAX. SPEED RANGE (STD RATIO)	0-5	0-5	0-4	0-4	0-2	0-2
STD. CON. TORQUE LBS-FT [NM]	3,000 [4053]	3,000 [4053]	4,500 [6079]	4,500 [6079]	9,000 [12159]	9,000 [12159]
BRAKE METHOD	PNEUMATIC	PNEUMATIC	PNEUMATIC	PNEUMATIC	PNEUMATIC	PNEUMATIC
BRAKE TORQUE LBS-FT [NM]	1111 [1506]	1111 [1506]	1550 [2102]	1550 [2102]	2950 [4000]	2950 [4000]
PROGRAMMABLE RESOLUTION	.001 DEG.	.001 DEG.	.001 DEG.	.001 DEG.	.001 DEG.	.001 DEG.
STD. TOTAL ANGULAR ACCURACY	20 SEC.	20 SEC.	40 SEC.	40 SEC.	40 SEC.	40 SEC.
STD. REPEATABILITY	5 SEC.	5 SEC.	10 SEC.	10 SEC.	10 SEC.	10 SEC.
OPT. (H OR I) ANGLR. ACCURACY	+/-5 +/-3.6	+/-5 +/-3.6	+/-5 +/-3.6	+/-5 +/-3.6	+/-5 +/-3.6	+/-5 +/-3.6
OPT. (H OR I) REPEATABILITY	+/-2 +/-1	+/-2 +/-1	+/-2 +/-1	+/-2 +/-1	+/-2 +/-1	+/-2 +/-1
UNIT WEIGHT LBS [KG]	1,400 [630]	1,500 [675]	4,200 [1890]	4,350 [1957]	5,500 [2475]	6,150 [2767]
SHIP WEIGHT LBS [KG]	1,550 [697]	1,650 [742]	4,500 [2025]	4,650 [2092]	5,800 [2610]	6,500 [2925]

* Depends on type of servo motor

troyke° NC Series - B Model

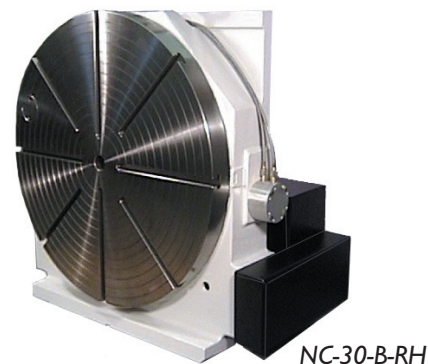
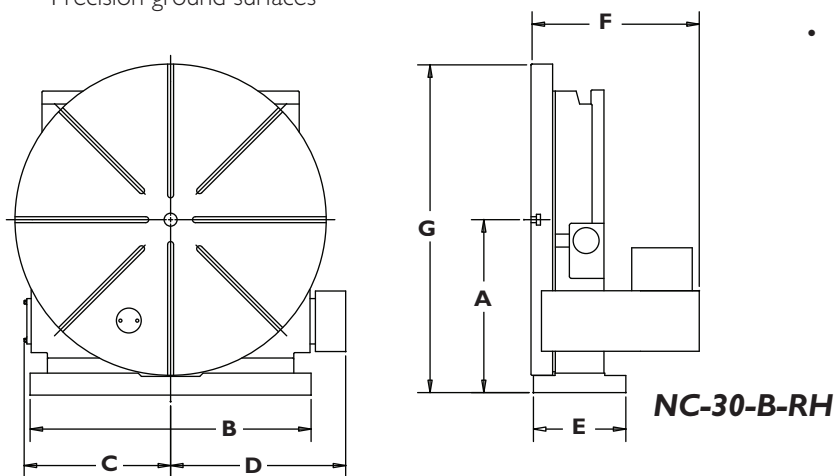
Vertical Mount – (42" - 84" are Horizontal Mount only) - see HBM Series

Standard Features:

- 2 sizes (30" - 36" table diameters)
- C907 bronze wormgear and hardened and ground worm running in a bath of oil
- High precision spindle bearings
- Turcite bearing surface
- Dual rack & pinion pneumatic brake
- Precision ground surfaces

Optional Features:

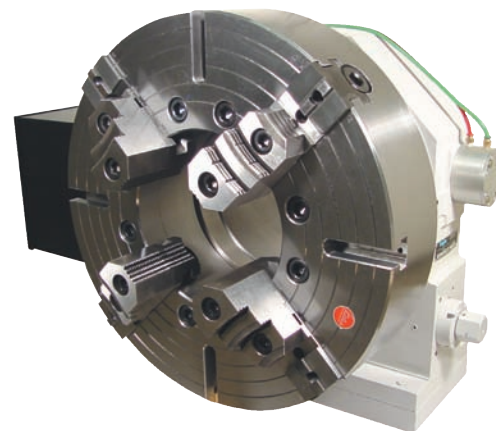
- Chucks - (Manual or Pneumatic)
- Tailstocks - (Manual or Pneumatic)
- Single Axis programmable control
- Clamping outboard supports (Pneumatic or Hydraulic)
- Ball Lock™ sub plate
- Cables - for interfacing to machine tool
- Compatible with all standard servo motors
- Direct mount feedback (Heidenhain scale for accuracy up to +/- 2 arc seconds)



MODEL	A	B	C	D	E	F	G
NC-30-B	17.75 [450]	29.75 [755]	19.50 [495]	20.25 [514]	8.25 [209]	19.43 [493]	32.75 [831]
NC-36-B	20.00 [508]	29.75 [755]	19.50 [495]	20.25 [514]	8.25 [209]	19.43 [493]	32.75 [831]

SPECIFICATIONS

MODEL		NC-30-B	NC-36-B
TURNTABLE DIAMETER	[MM]	30.00 [762]	36.00 [914]
STANDARD THRU HOLE DIA	[MM]	1.5000 [38]	1.5000 [38]
OVERSIZE THRU HOLE DIA	[MM]	10.250 [260]	10.250 [260]
MAXIMUM THRU HOLE DIA	[MM]	16.000 [406]	16.000 [406]
HORIZONTAL LOAD CAPACITY	[KG]	4,000 [1813]	4,000 [1813]
VERTICAL LOAD CAPACITY	[KG]	2,000 [906]	2,000 [906]
FACEPLATE T-SLOT WIDTH	[MM]	.68 [17.2] X 6	.68 [17.2] X 6
STANDARD TOTAL GEAR RATIO		360:1	360:1
ALTERNATE TOTAL GEAR RATIO		180:1 720:1	180:1 720:1
MAX. SPEED RANGE (STD RATIO)		0-5	0-5
STD. CON. TORQUE	LBS-FT [NM]	3,000 [4053]	3,000 [4053]
BRAKE METHOD		PNEUMATIC	PNEUMATIC
BRAKE TORQUE	LBS-FT [NM]	1111 [1506]	1111 [1506]
PROGRAMMABLE RESOLUTION		.001 DEG.	.001 DEG.
STD. TOTAL ANGULAR ACCURACY		20 SEC.	20 SEC.
STD. REPEATABILITY		5 SEC.	5 SEC.
OPT. (H OR I) ANGLR. ACCURACY		+/-5 +/-3.6	+/-5 +/-3.6
OPT. (H OR I) REPEATABILITY		+/-2 +/-1	+/-2 +/-1
UNIT WEIGHT	LBS [KG]	1,350 [607]	1,450 [652]
SHIP WEIGHT	LBS [KG]	1,500 [675]	1,600 [720]



Large Bore + Chuck Option

troyke^o NC Series - C Model

Horizontal Mount – Vertical Mount (42" - 84" requires Angle Bracket Option)

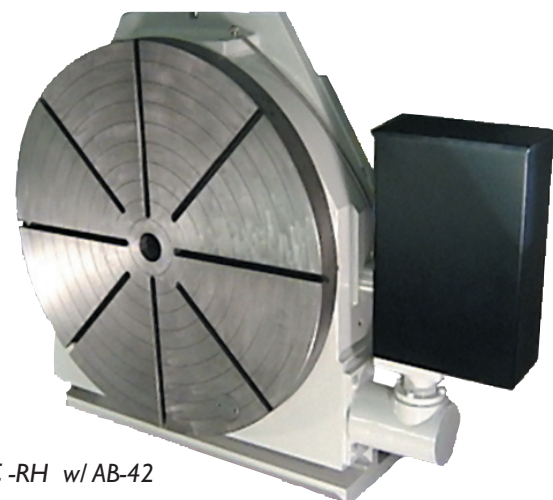
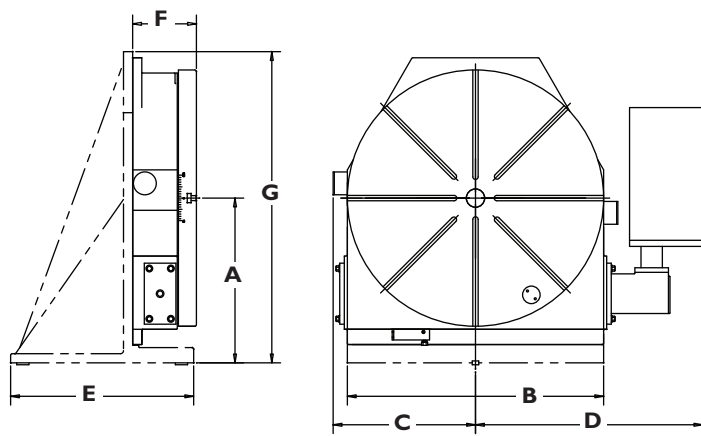
Standard features:

- 3 sizes (30" - 60" table diameters)
- C907 bronze wormgear and hardened and ground worm running in a bath of oil
- High precision spindle bearings
- Turcite bearing surface
- Dual rack & pinion pneumatic brake
- Precision ground surfaces

Optional Features:

- Chucks - (Manual or Pneumatic)
- Tailstocks - (Manual or Pneumatic)
- Single Axis programmable control
- Clamping outboard supports (Pneumatic or Hydraulic)
- Ball Lock™ sub plate
- Cables - for interfacing to machine tool
- Compatible with all standard servo motors
- Direct mount feedback (Heidenhain scale for accuracy up to +/- 2 arc seconds)

NC-42-C-RH w/AB-42



NC-42-C-RH w/AB-42

MODEL	A	B	C	D	E	F	G
NC-30-C	17.75 [450]	29.75 [755]	19.50 [495]	31.43 [798]	8.25 [209]	8.50 [215]	32.75 [831]
NC-42-C	27.00 [685]	43.00 [1092]	26.50 [673]	37.50 [952]	30.00 [762]	10.50 [266]	50.00 [1270]
NC-60-C	35.50 [901]	62.00 [1574]	31.00 [787]	31.75 [806]	30.50 [774]	10.50 [266]	65.50 [1663]

SPECIFICATIONS

MODEL	NC-30-C	NC-42-C	NC-60-C
TURNTABLE DIAMETER	[MM] 30.00 [762]	42.00 [1066]	60.00 [1524]
STANDARD THRU HOLE DIA	[MM] 1.5000 [38]	3.000 [76]	3.000 [76]
OVERSIZE THRU HOLE DIA	[MM] 10.250 [260]	14.000 [357]	20.000 [508]
MAXIMUM THRU HOLE DIA	[MM] 16.000 [406]	18.000 [457]	30.000 [762]
HORIZONTAL LOAD CAPACITY	[KG] 4,000 [1813]	7,000 [3173]	15,000 [6800]
VERTICAL LOAD CAPACITY	[KG] 2,000 [906]	4,000 [1813]	7,000 [3173]
FACEPLATE T-SLOT WIDTH	[MM] .68 [17.2] X 6	.81 [20.5] X 6	.81 [20.5] X 6
STANDARD TOTAL GEAR RATIO	360:1	360:1	720:1
ALTERNATE TOTAL GEAR RATIO	180:1 720:1	180:1 720:1	1440:1
MAX. SPEED RANGE (STD RATIO)	0-5	0-4	0-2
STD. CON. TORQUE	LBS-FT [NM] 3,000 [4053]	4,500 [6079]	9,000 [12159]
BRAKE METHOD	PNEUMATIC	PNEUMATIC	PNEUMATIC
BRAKE TORQUE	LBS-FT [NM] 1111 [1506]	1550 [2102]	2950 [4000]
PROGRAMMABLE RESOLUTION	.001 DEG.	.001 DEG.	.001 DEG.
STD. TOTAL ANGULAR ACCURACY	20 SEC.	40 SEC.	40 SEC.
STD. REPEATABILITY	5 SEC.	10 SEC.	10 SEC.
OPT. (H OR I) ANGLR. ACCURACY	+/-5 +/-3.6	+/-5 +/-3.6	+/-5 +/-3.6
OPT. (H OR I) REPEATABILITY	+/-2 +/-1	+/-2 +/-1	+/-2 +/-1
UNIT WEIGHT	LBS [KG] 1,400 [630]	4,200 [1890]	5,500 [2475]
SHIP WEIGHT	LBS [KG] 1,550 [697]	4,500 [2025]	5,800 [2610]



Angle Bracket Option