



**BLCT-61E-H, BLCT-62E-H, BLCT-101E-H & BLCT-102E-H  
HOODINI HOOD FOR COMBI OVENS  
REPLACEMENT PARTS LIST**

**EFFECTIVE JANUARY 7, 2020**

*Superseding All Previous Parts Lists.*

*The Company reserves the right to make substitution in the event that items specified are not available.*

*ERRORS: Descriptive and/or typographic errors are subject to correction.*

---

**BLODGETT OVEN COMPANY**

42 Allen Martin Drive, Essex Junction, Vermont 05452 USA Telephone: (802) 658-6600 Fax: (802) 860-3732  
[www.blodgett.com](http://www.blodgett.com)

P/N 62417 Rev J

## **SERIAL NUMBER LOCATION / KEY:**

***IMPORTANT: When ordering parts, please provide the model, gas type and serial number of the oven. The identification plate is located on the back of the oven.***

## **SERIAL NUMBER IDENTIFICATION CODE:**

**DV = BLCT-61E-H**

**EV - BLCT-62E-H**

**DY = BLCT-101E-H**

**RG = BLCT-102E-H**

## **SERIAL NUMBER EXAMPLES**

**011917DV001**

**01/19/17 = DATE**

**DV = LETTER CODE FOR BLCT-61E-H**

**001 = FACTORY SEQUENCE**

## **TO OBTAIN LITERATURE:**

Email: [literature@blodgett.com](mailto:literature@blodgett.com)

or visit

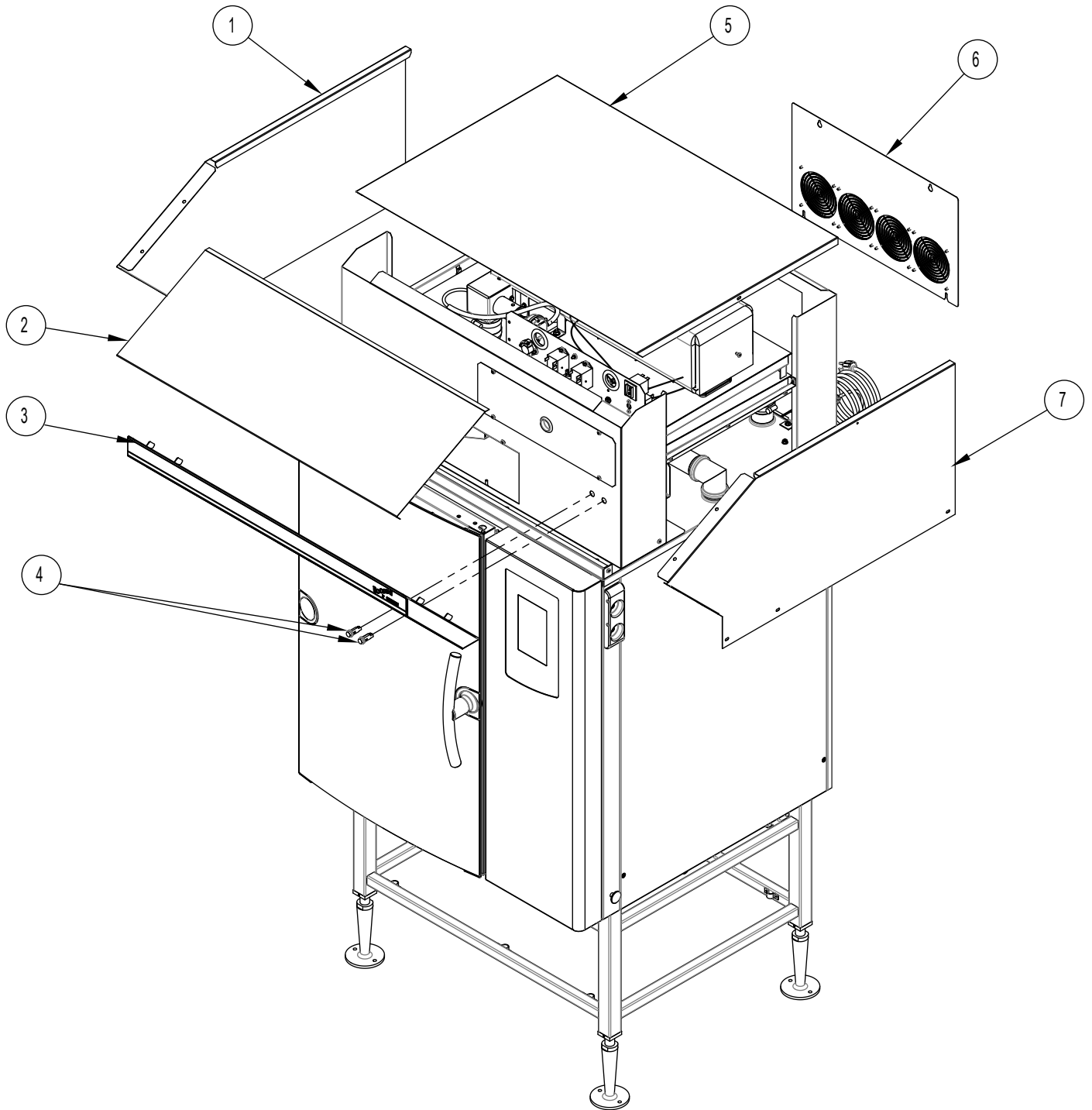
[www.blodgett.com](http://www.blodgett.com)

# TABLE OF CONTENTS

EXTERIOR COMPONENTS .....	4
EXTERNAL DRAIN BOX.....	6
CATALYTIC DUCT ASSEMBLY .....	7
CATALYTIC CONDENSER ASSEMBLY .....	8
ELECTRICAL PANEL.....	9

# EXTERIOR COMPONENTS

## BLCT-61E-H & BLCT-101E-H

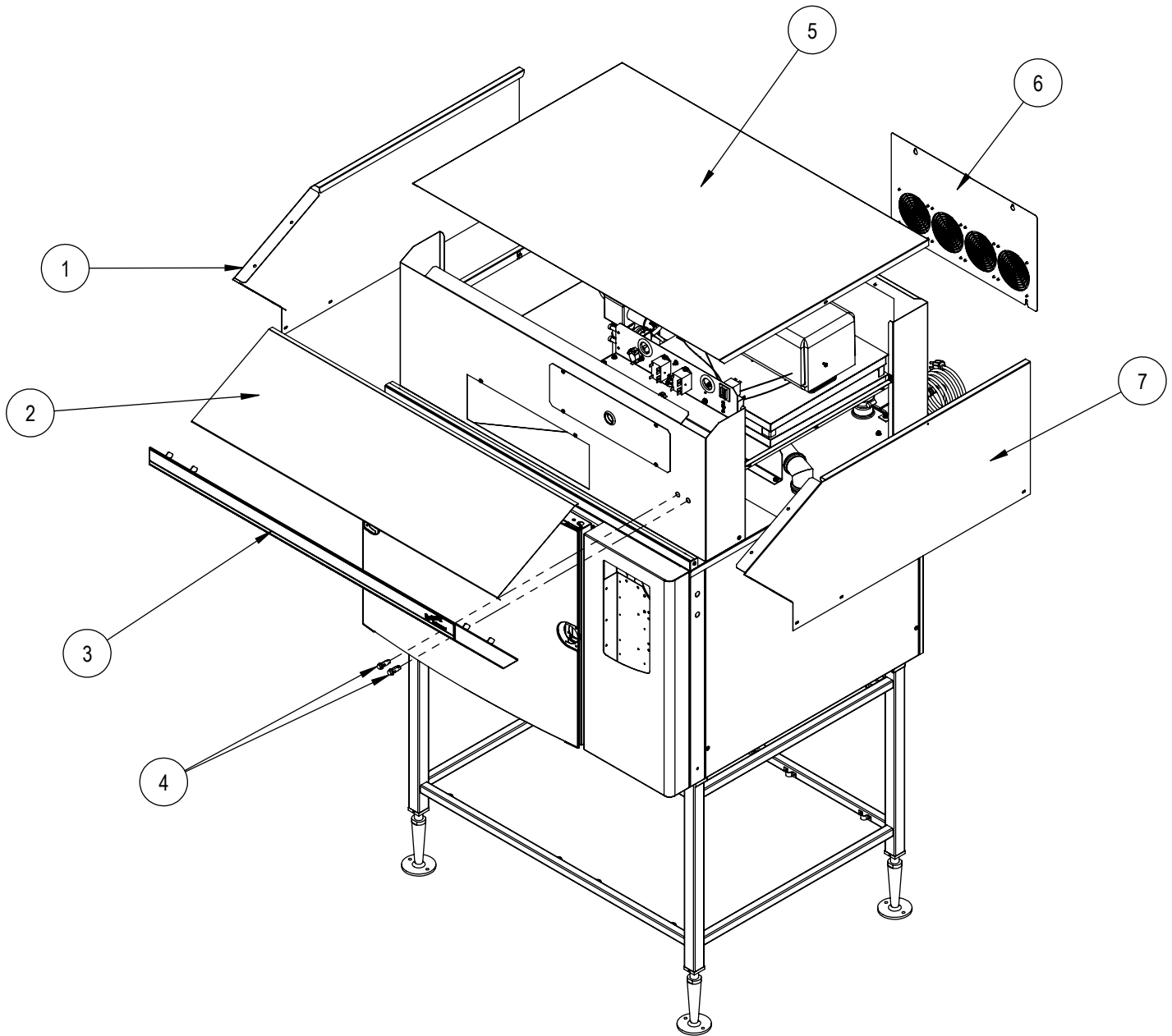


<b>Ref. No.</b>	<b>Part No.</b>	<b>Description</b>
1	62370	BODYSIDE, LEFT
2	62372	FRONT, TOP
3	62383	FRONT GRILL
4	18266	LIGHT, BLUE

<b>Ref. No.</b>	<b>Part No.</b>	<b>Description</b>
5	62373	BODY, TOP
6	62593	REAR ACCESS PANEL
7	62369	BODYSIDE, RIGHT

# EXTERIOR COMPONENTS

## BLCT-62E-H & BLCT-102E-H

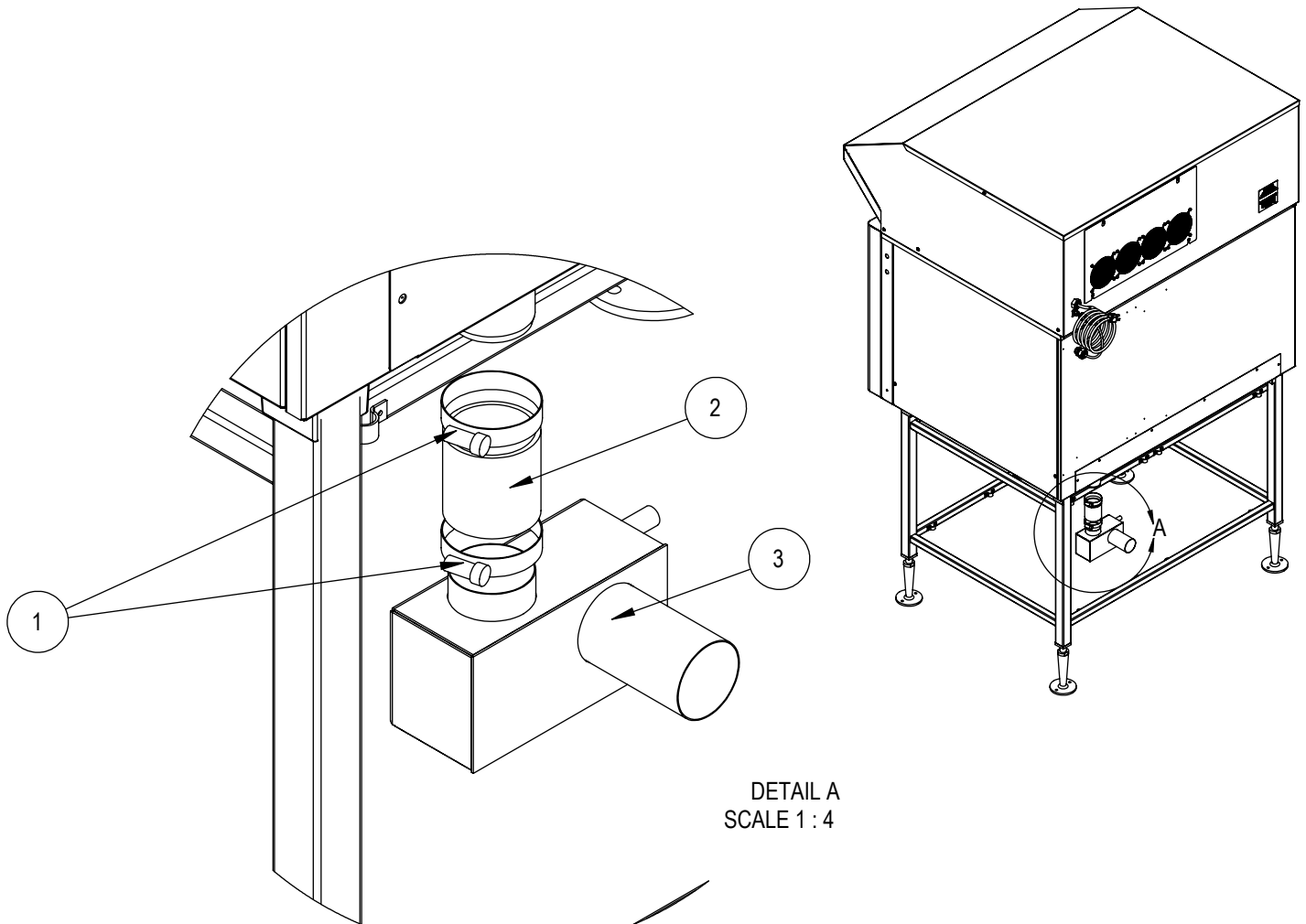


Ref. No.	Part No.	Description
1	62470	BODYSIDE, LEFT
2	62472	FRONT TOP
3	62511	FRONT GRILL
4	18266	LIGHT BLUE, 120V
4	18267	LIGHT BLUE, 208-240V

Ref. No.	Part No.	Description
5	62473	BODY TOP
6	62593	REAR ACCESS PANEL
7	62469	BODYSIDE, RIGHT

# EXTERNAL DRAIN BOX

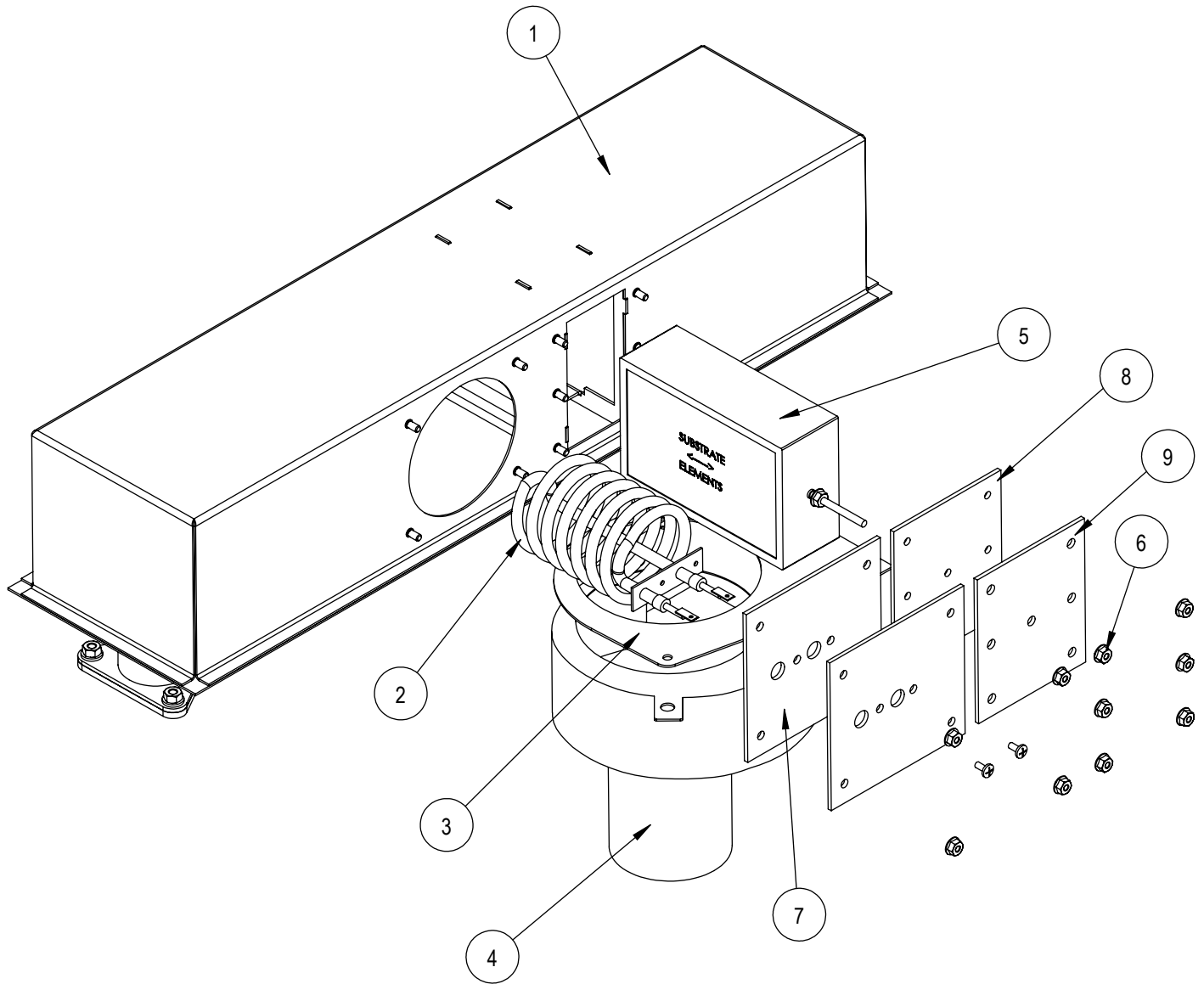
## ALL MODELS



<b>Ref. No.</b>	<b>Part No.</b>	<b>Description</b>
1	R2207	HOSE CLAMP
2	52648	SILICON TUBING
3	62481	DRAIN BOX ASSY

# CATALYTIC DUCT ASSEMBLY

ALL MODELS

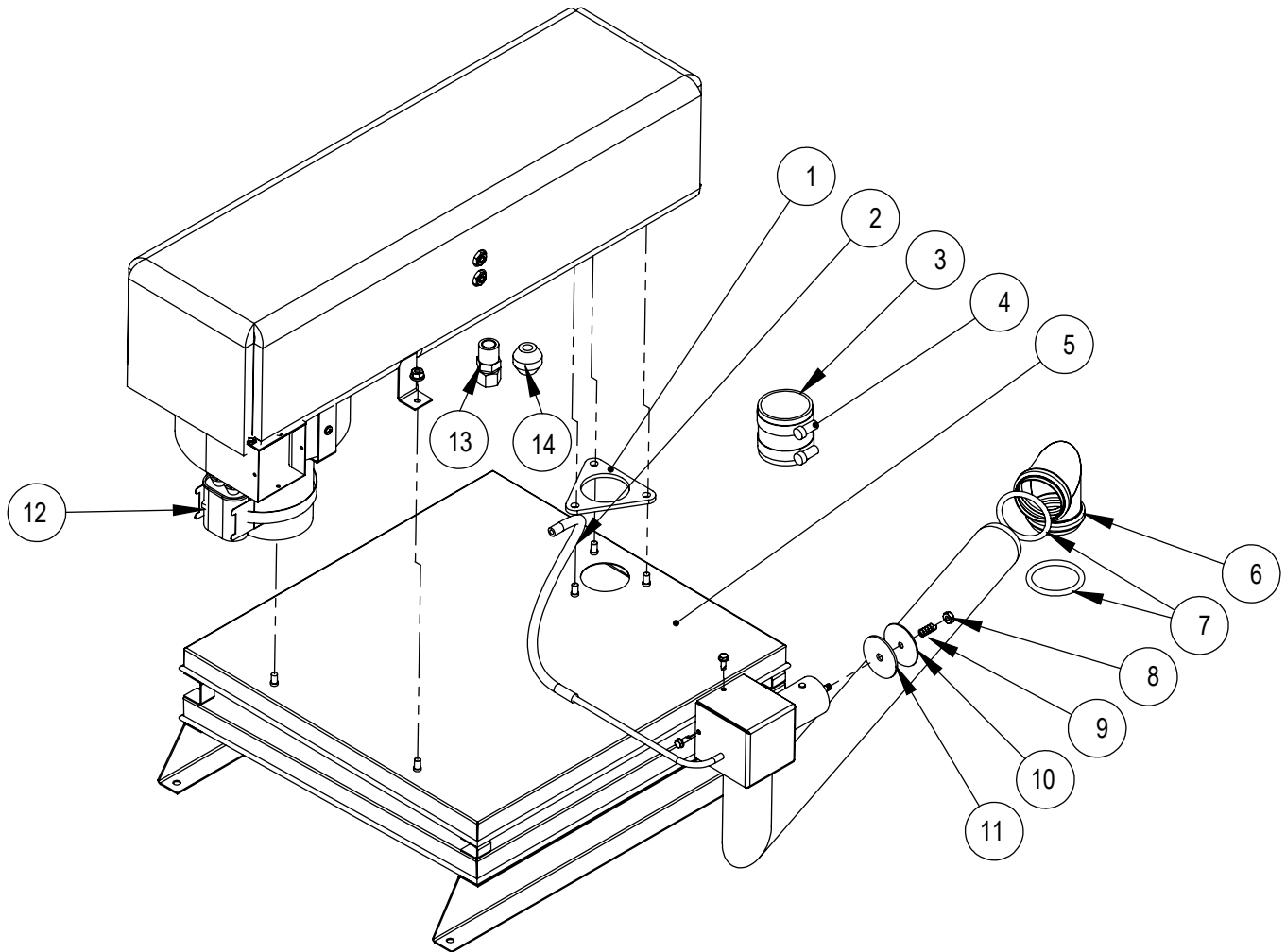


Ref. No.	Part No.	Description
1	61631	CATALYTIC DUCT ASSY
2	62341	KIT, HELICAL, HEATER 1400W, 120V
2	63230	KIT, HELICAL, HEATER 1400W, 208-240V
3	54835	GASKET, DRAFT INDUCER BLOWER
4	38515	BLOWER ASSY, 120V

Ref. No.	Part No.	Description
4	54672	BLOWER ASSY, 208-240V
5	62233	CATALYTIC CONVERTER W/GASKET
6	M3950	#10-24 HEX FLANGED NUT
7	58599	ELEMENT GASKET
8	62231	CATALYST GASKET
9	62230	CATALYTIC COVER PLATE

# CATALYTIC CONDENSER ASSEMBLY

## ALL MODELS

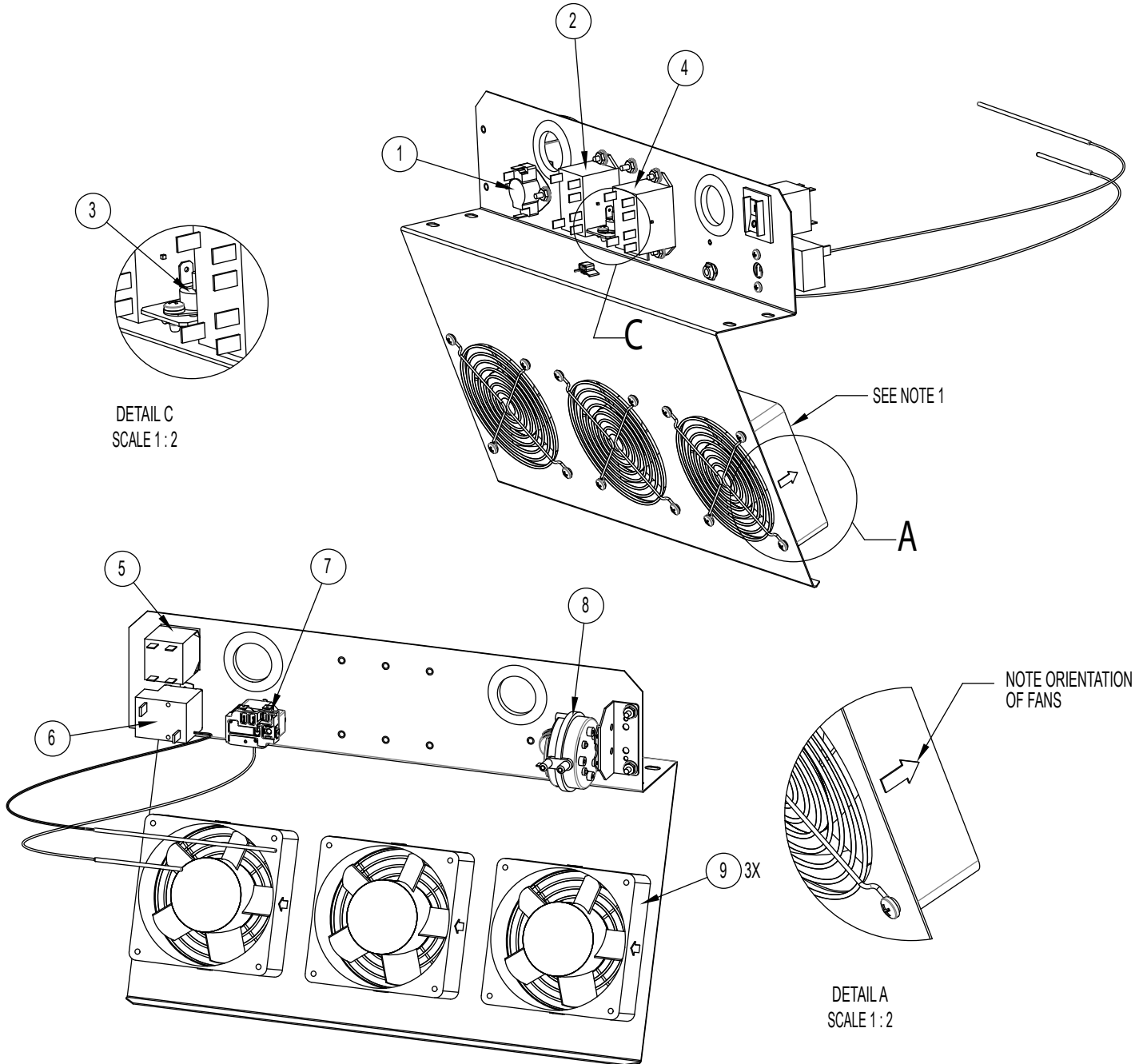


<b>Ref. No.</b>	<b>Part No.</b>	<b>Description</b>	<b>Ref. No.</b>	<b>Part No.</b>	<b>Description</b>
1	R10252	GASKET, OUTLET PLATE	7	60103	O-RING
2	M9705	TUBING, SILICONE (BY THE INCH)	8	R7732	NUT, 1/4-20 THIN W/NYLON INSERT
3	52648	TUBING, 2.00" I.D. SILICONE (BY THE INCH)	9	R7575	SPRING 5/16" X 1"
4	R2207	CLAMP, HOSE STN. STL., 7/8" TO 2-3/4"	10	R7570	DIAPHRAGM, PRESSURE RELIEF
5	61955	CONDENSER ASSEMBLY	11	R2657	GASKET, STEAM OUTLET
6	61352	ELBOW	12	38610	CAPACITOR, ELECTROLYTIC, 5MFD



# ELECTRICAL PANEL

## ALL MODELS



Ref. No.	Part No.	Description
1	36755	SWITCH, THERMAL, SPDT
2	37058	RELAY, DPST 25A 24V
3	56760	THERMAL SWITCH, MANUAL RESET
4	36603	RELAY, DPST 25A 120V
	59383	RELAY, DPST 30 AM, 240V
5	39688	CIRCUIT BREAKER 20A

Ref. No.	Part No.	Description
6	59369	THERMOSTAT, CAPILLARY
7	58025	THERMOSTAT, HIGH LIMIT SPST NC
8	54802	PRESSURE SWITCH
9	M0570	AXIAL FAN, 4", 120V
9	M2212	AXIAL FAN, 4", 208-240V