



For use with BC-20 Series Roll-In
Combi Oven/Steamers

Banquet Cart

STANDARD FEATURES

- 304 stainless steel
- 8.4" (213mm) diameter rings to hold plates
- Capable of being hosed down for cleaning
- Increases production capacity
- 5" (127 mm) heavy duty casters (2 locking, 2 non-locking)
- Drip pan with ball valve for waste removal
- Removable cart handle

CAPACITY

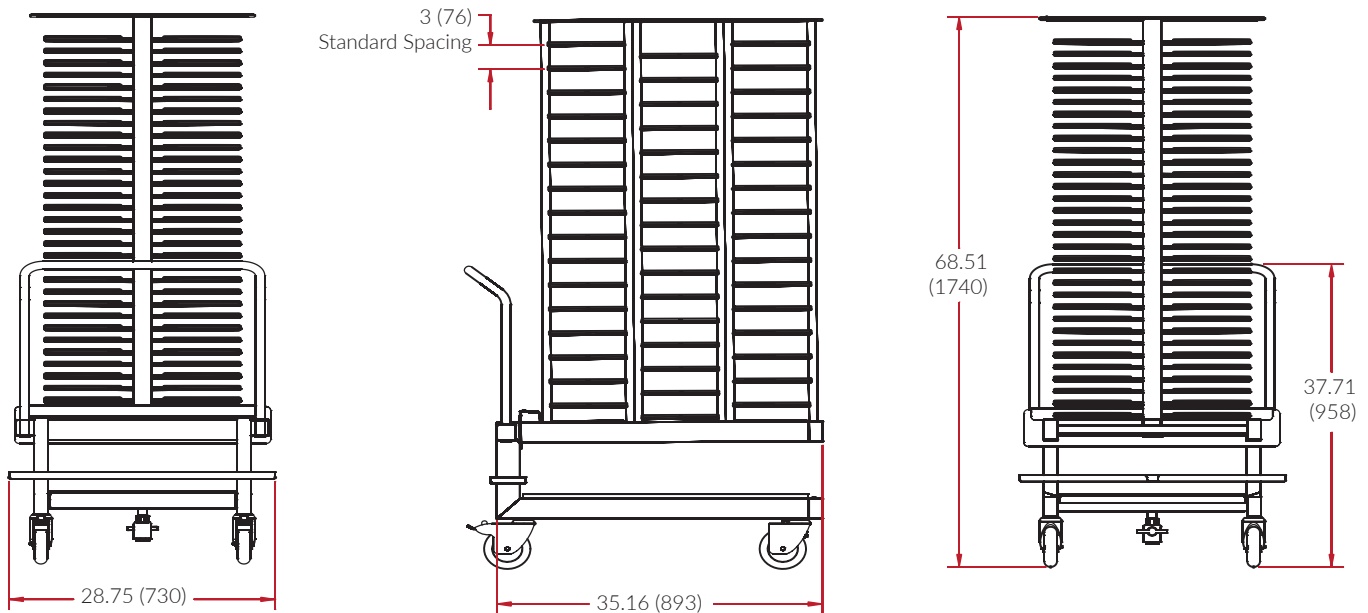
- Standard rack holds 96 plates with 3" vertical spacing
- Custom plate height spacing, please specify

OPTIONS

- Insulated thermal cover



DIMENSIONS ARE IN INCHES (MM)



NOTE: The company reserves the right to make substitutions of components without prior notice.

www.blodgettcombi.com

42 Allen Martin Drive, Essex Junction, VT 05452 • Phone: (802) 658-6600 • Fax: (802) 864-0183

P/N R11495 Rev C (7/20)