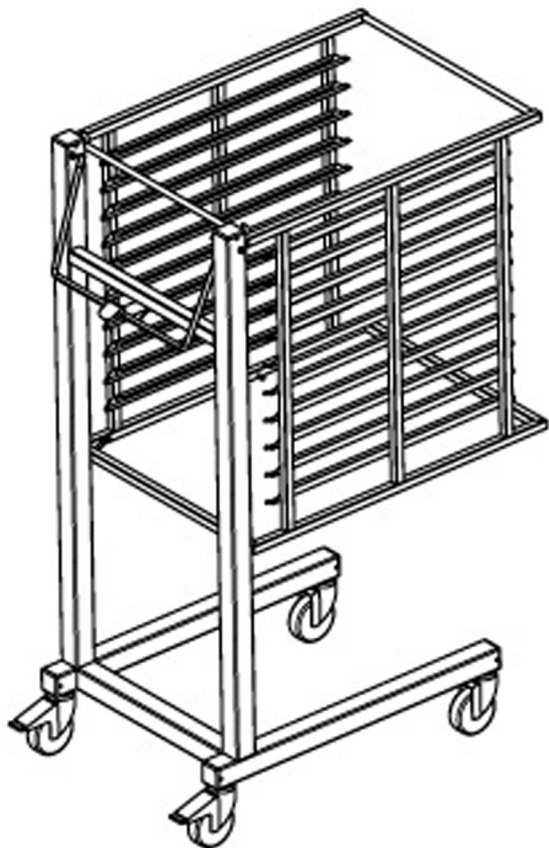




Transport Cart for 102
For use with Optional Cassette Rack
and/or Plate Rack



Project _____

Item No. _____

Quantity _____

The Blodgett transport cart is a practical way to improve the work flow in your kitchen. Transport carts make it easy to move loaded cassette racks or plate racks into and out of the combi, to cold storage or to the serving area. Transport carts also ensure ergonomically correct loading and unloading of the oven.

The transport cart stays outside the oven during the cooking process so it can be used for more than one oven increasing productivity. Transport carts can be nested together to take up less storage space and or can slide under the side of the oven(s) out of the way of general kitchen traffic.

The transport cart works with either the optional cassette rack to hold pans or the optional plate rack for plated meals. Choose from either 2.56" (65 mm) spacing or 3.35" (85 mm) spacing. The use of either a cassette or plate rack also requires the use of the optional rack support platform to ensure correct rack placement in the oven.

STANDARD FEATURES

- Stainless steel construction
- Four heavy duty casters with two locking casters
- Rack support platform ensures correct rack placement within the oven
- Capable of being hosed down for easy cleaning
- Increases production capacity

CAPACITIES

- Cassette rack with 2.56" (65mm) spacing holds ten sheet pans or twenty 12" x 20" x 2" deep Gastronorm pans
- Cassette rack with 3.35" (85mm) spacing holds eight sheet pans or sixteen 12" x 20" x 2-1/2" deep North American hotel pans
- Plate rack with 2.56" (65mm) spacing holds sixty-three 32" diameter plates
- Plate rack with 3.35" (85mm) spacing holds fifty-one 27" diameter plates

OPTIONS AND ACCESSORIES

(AT ADDITIONAL CHARGE)

- Cassette rack with 2.56" (65mm) spacing holds ten sheet pans or twenty 12" x 20" x 2" deep Gastronorm pans
- Cassette rack with 3.35" (85mm) spacing holds eight sheet pans or sixteen 12" x 20" x 2-1/2" deep North American hotel pans
- Plate rack with 2.56" (65mm) spacing holds sixty-three 32" diameter plates
- Plate rack with 3.35" (85mm) spacing holds fifty-one 27" diameter plates
- Thermal blanket to keep food hot before serving

Transport Cart for 102

BLODGETT COMBI

www.blodgett.com

42 Allen Martin Drive, Essex Junction, VT 05452 • Phone: (802) 658-6600 • Fax: (802) 864-0183

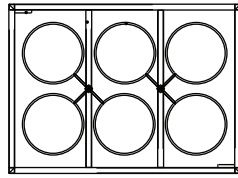
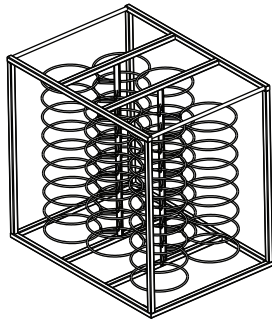
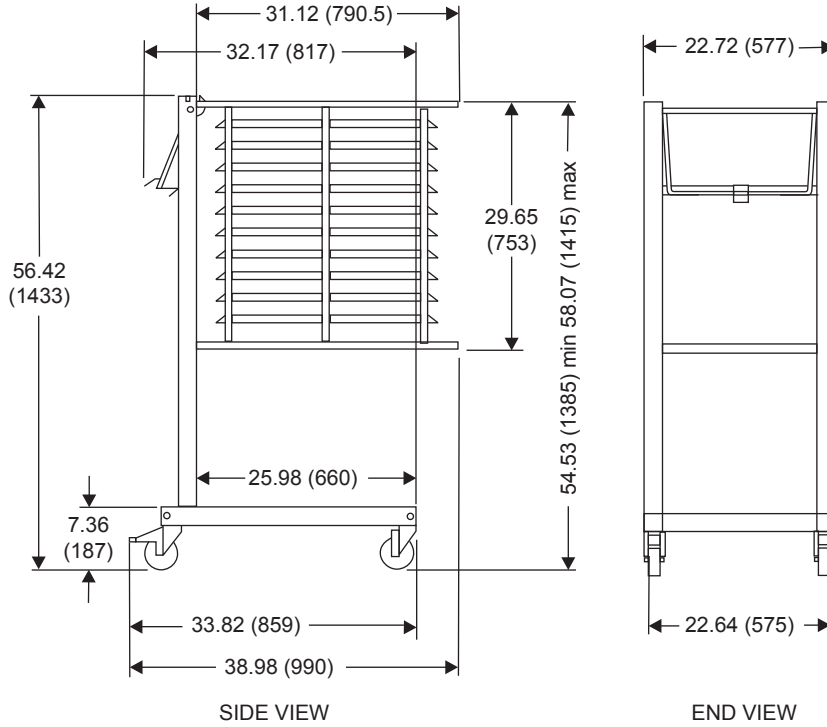


Transport Cart for 102E



APPROVAL/STAMP

DIMENSIONS ARE IN INCHES (MM)



TRANSPORT CART (Shown with Cassette Rack)

TOP VIEW

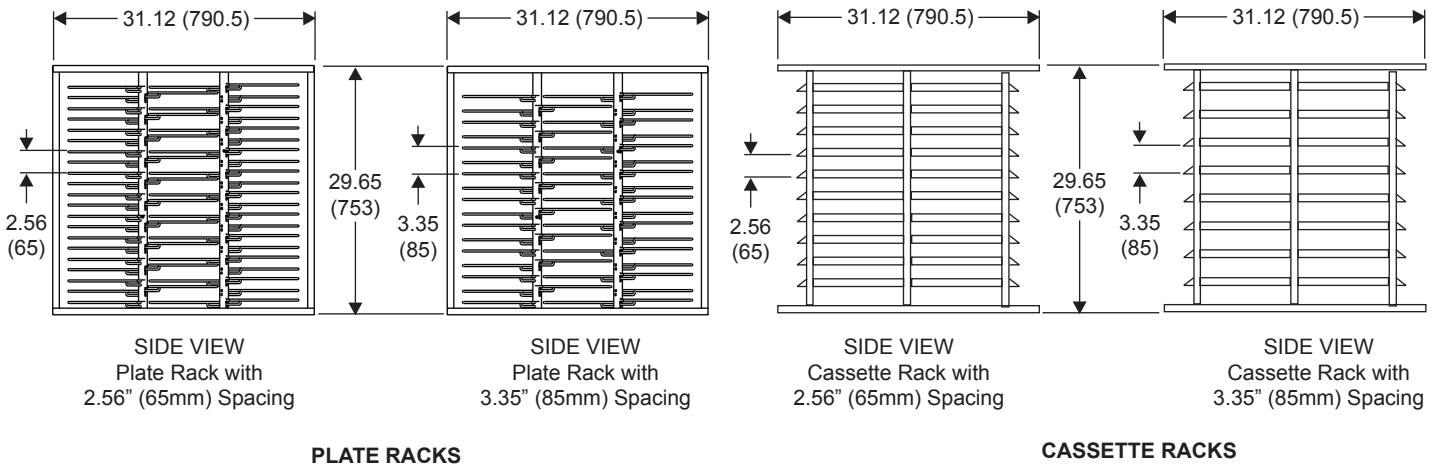


PLATE RACKS

CASSETTE RACKS

NOTE: The company reserves the right to make substitutions of components without prior notice

BLODGETT COMBI
www.blodgett.com

42 Allen Martin Drive, Essex Junction, VT 05452 • Phone: (802) 658-6600 • Fax: (802) 864-0183

Printed in U.S.A.

NOTE: FOR COMMERCIAL USE ONLY

P/N 60967 Rev A (11/12)