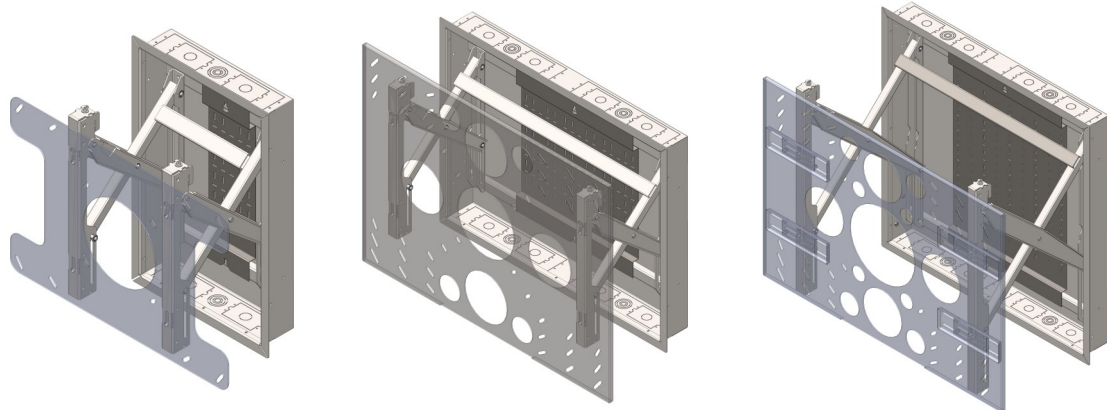


Wallmate— Flat Panel Integration System



In-Wall Back-Box Mounting Solution

Standard Product Solution

rp Visual Solutions' Wallmate product line was created to ease the process of integrating a single panel mount. This standard product option is built to be as rigid and smooth in operation as all other custom RPV system designs.

Key Benefit to Wallmate - SAVING TIME

The Wallmate system was designed to save time at every stage of the construction process from start to finish: Design, Rough In, Off Site Prep, and On Site Installation.

Additional Wallmate Benefits

Mounts direct to studs = no blocking

Removable device mount plates = Allows quick exchange service and assembly line style, off-site prep

0.6" from back of display to wall = Assists with ADA Compliance

Can Mount displays from 55" to 100"

Built to the strength and rigidity that RPV is known for

Knock outs for electrical boxes and conduits

Lots of equipment storage space

	Wallmate 16	Wallmate 32	Wallmate 32MAX
Capacity	125 lbs.	300 lbs.	350 lbs.
Back box Dimensions HxWxD	23.188" x 14.375" x 3.939"	23.188" X 30.5" X 3.939"	31" X 30.5" X 3.939"
Product Weight	Approx 45 lbs	Approx 75 lbs	Approx 100 lbs
Warranty	1 year	1 year	1 year
Minimum Display Size	50" and up	70" and up	70" and up
Knock outs	4 single gang	8 single gang	8 single gang
Conduit Points	3 top/3 bottom	6 top/6 bottom	6 top/6 bottom
Internal Box Space	8.37"x 10.4"x 3.9"	20"x 10.4"x 3.9"	23.9"x 19"x 3.8"