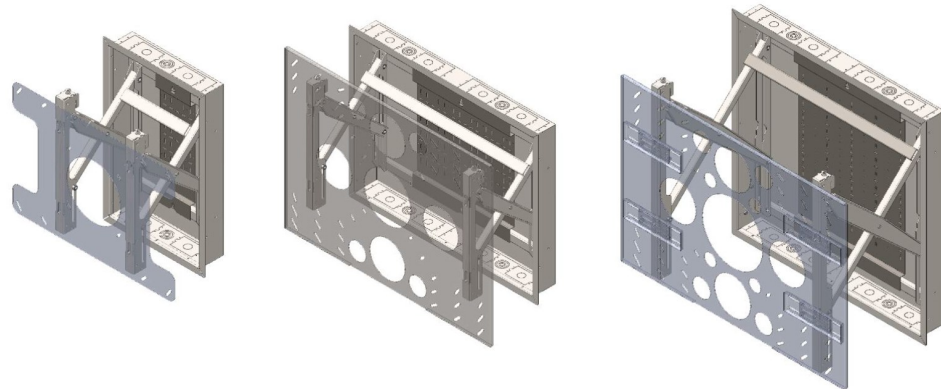
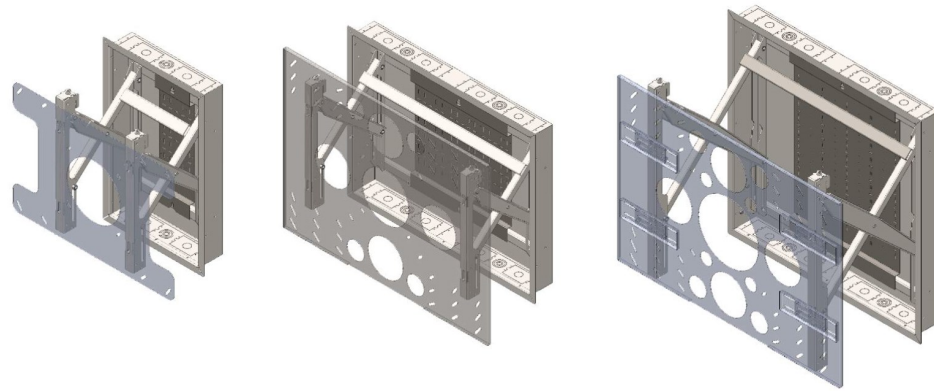


Wallmate Flat Panel Integration System—Data Table

R4



	Wallmate 16	Wallmate 32	Wallmate 32MAX
XARM Opening distance (wall to back of display)	9.6"	9.6"	16"
XARM Closed Distance (Wall to back of display)	0.6"	0.6"	0.98" (approx.)
Horizontal shift	not included (optional)	not included (optional)	+/-2"
Rotation of display	+/- 2°	+/- 2°	+/- 2°
XARM Plumb Alignment	+0/- 0.6°	+0/- 0.6°	+0/- 0.6°
Weight capacity	125#	300#	350# * ¹
Internal Mount Space X-ARM (WxHxD)	8.37" x 10.38" x 4.22"	23.9" x 10.38" x 4.22"	23.9" x 19.426" x 3.85"
Internal Mount Space Lift off (WxHxD)	12.5" x 12.8" x 4.22"	28" x 12.8" x 4.22"	28" x 22" x 3.85" (CUSTOM PART)
Min. Landscape Panel Size	55", may be covered by some 50" panels	55", may be covered by some 50" panels	65"
Min Portrait Panel Size	40"	65"	75" with shift 65" without
BOX External Dim (WxHxD) - no trim	14.375" x 23.188" x 3.812"	30.375" x 23.188" x 3.812"	30.375" x 30.375" x 3.812"
BOX & Trim External Dim (WxHxD)	16" x 24.81" x 3.884"	32" x 24.81" x 3.884"	32" x 32" x 3.884"
Standard VESA plate size landscape (W x H)	25.62" x 17.75"	35" x 26.5"	37" x 26.5"
Optional VESA plate Portrait (W x H)	17.75" x 25.62"	26.5" x 35"	37" x 35" (CUSTOM PART)



	Wallmate 16	Wallmate 32	Wallmate 32MAX
PLATE ATTACH PATTERN TO XARMS (W x H)	11" x 11"	26.5" x 11"	26.5" x 11"
DEFAULT VESA PATTERN GRID (WIDTH)	400, 600 (also has 200x200)	400, 600, 800 (also has 200x200 & 300x300)	400, 600, 800 (also has 300x300)
DEFAULT VESA PATTERN GRID (HIGH)	400	400, 500, 600	400, 500, 600
1 GANG BOX POSITIONS (top)	2	4	4
1 GANG BOX POSITIONS (bottom)	2	4	4
Conduit Knock Outs (top)	3	6	6
Conduit Knock Outs (bottom)	3	6	6
Aux Tray Positions	1	2	2
Small peripheral plates	1	n/a	n/a
Large peripheral plates	0	1	1
1" Metal Multi Piece Trim	included with backbox	included with backbox	included with backbox
Service Types	Lift off, Pull out (XARM)	Lift off, Pull out (XARM)	Pull out (XARM)
Weight	46 lbs.	78 lbs.	105 lbs.

*1—Wallmate 32MAX 350lbs. Load available with HSB adapter shown.

Wallmate— Flat Panel Integration System

1275 S. Lewis St.
Anaheim, CA 92805

P: 714-991-6400
F: 714-991-6407

info@rpvisuals.com
www.rpvisuals.com

