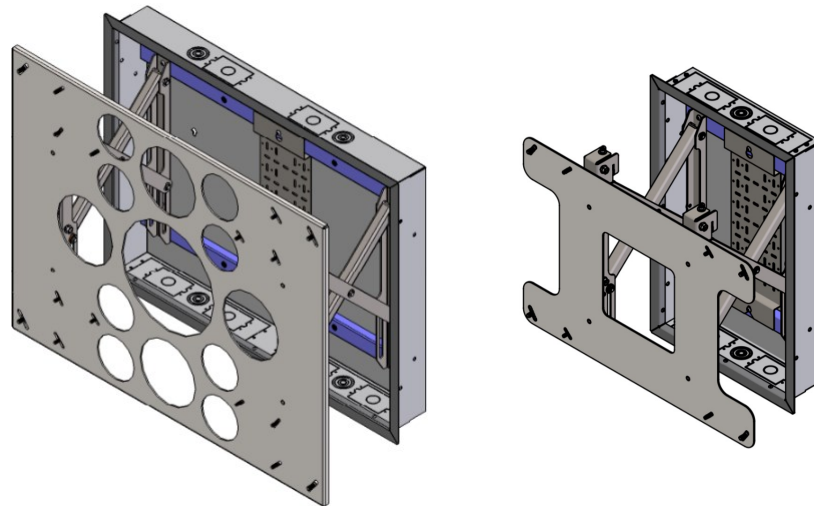


Wallmate— Flat Panel Integration System

R-Lr2



rp Visual Solutions' Wallmate integration system is an innovative concept for providing support for a flat panel display. This is accomplished by integrating the back box, display mount, and AV device mounting into a complete system, all while keeping the display less than 1/2" from the wall. The Wallmate is sure to become a standard for flat panel mounting.

Sizes:

The Wallmate is available in two sizes (16" wide & 32" wide) to accommodate all VESA mount patterns. The two sizes are offered to allow the system to fit between standard 16" studs or the width of dual 16" studs. The Wallmate 16 is designed for flat panels from 50" diagonal through 75" diagonal. The Wallmate 32 is designed for flat panels 75" and above.

Mounting Options:

There are three available configurations for the Wallmate system. The display can be positioned Flat, Tilted (up to 10 degrees) and X-Arm (pull out).

Capability

The Wallmate 16 can hold flat panels up to 125 lbs., and the Wallmate 32 can hold flat panels up to 300 lbs. The fixed flat mount option provides a minimum rear of display distance to wall of 0.6" to assist in maintaining ADA compliance.

Peripheral Device Mounting

The system is designed for easy installation of signal processing and data routing components along with incoming and outgoing signal cabling. Included cut-outs for duplex power receptacles allows for ample power to support products.

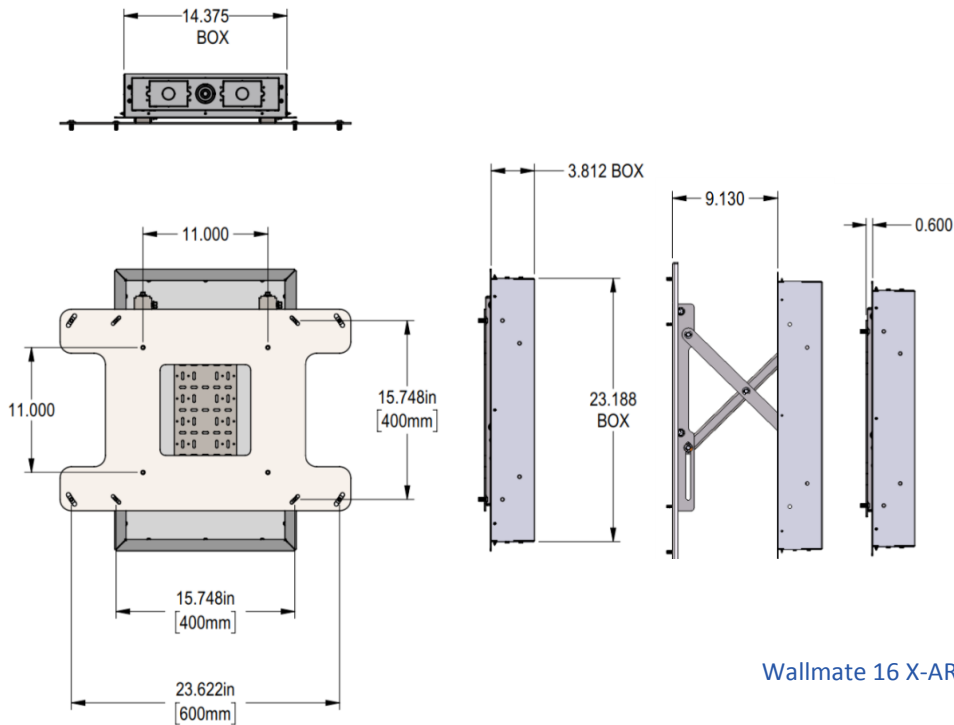
Non standard displays

Display with off-center VESA hole patterns vertically and/or horizontally, non-uniform backs (non-flat), and unique mounting hole locations can require specialized adapters. Please review your display and compare to our listed VESA patterns above. If it isn't on the list, call us for a quote and part number for the application.

	Wallmate 16	Wallmate 32
Capacity	125 lbs.	300 lbs.
Back box Dimensions H x W x D	23.188" x 14.375" x 3.939"	23.188" X 30.5" X 3.939"
Product Weight	Approx 37 lbs	Approx 58 lbs
Warranty	1 year	1 year
Minimum Display Size	50" and up	70" and up
Knock outs	4 single gang	6 single gang
Conduit Points	3 top/3 bottom	4 top/6 bottom
Internal Box Space	8.37"x 10.4"x 3.9" @ 0.75"	20"x 10.4"x 3.9", cable 29"x 14"

VESA hole patterns per box		
Wallmate box size	Vertical Size	Horizontal Size
Wallmate 16	400	400, 600
Wallmate 32	400, 600	400, 600, 800

Conduit knock out sizes	
Multi-size	1/4", 1/2", 1", 1.25"
Single	3/4"



Wallmate— Flat Panel Integration System

1275 S. Lewis St.
Anaheim, CA 92805

P: 714-991-6400
F: 714-991-6407

info@rpvisuals.com
www.rpvisuals.com

