

ZyPer Rack Assembly

The ZyPer Rack Assembly is a 19" x 5U or 6U space that is designed to hold eight or ten ZyPer encoders or decoders using the included carrier units. (ZyPer4K = 8 units, ZyPerHD and ZyPerUHD = 10 units) The Rack Assembly is flexible and allows devices to be mounted facing forward or backward depending upon your connection requirements. Each carrier unit features an L-bracket and three countersink screws for a reliable and secure installation.

Operating Notes

- In closed or multi-unit rack assemblies, the operating temperature of the rack environment may be greater than the ambient room temperature. Ensure that the device(s) being installed do not exceed the maximum operating temperature.
- Always mount devices within the Rack Assembly so that sufficient air flow is not compromised.
- Orientation of the encoders and decoders, within the Rack Assembly, should be taken into consideration based on your current setup. For example, it may be desirable to install some encoders and decoders with the HDMI and Ethernet connectors facing the back of the Rack Assembly, instead of the front.

Features

- Holds up to eight ZyPer4K encoders or decoders within a 5U or 6U rack space.
Standard ZyPer4K units require 5U rack space. Dual Input ZyPer4K encoders require 6U rack space
- Holds up to ten ZyPerHD or ZyPerUHD encoders in 5U or 6U rack space.
ZyPerHD units require 5U rack space. ZyPerUHD units require 6U rack space.
- Fits standard 19" rack assemblies
- Allows units to be mounted forward or backward
- L-bracket on each carrier unit provides secure mounting
- RoHS-compliant; built using environmentally-safe materials and construction

In the Box

- 1 x ZyPer Rack Assembly
- 8x or 10x carrier units
- 24 x 4-40 countersink screws (ZyPer4K)

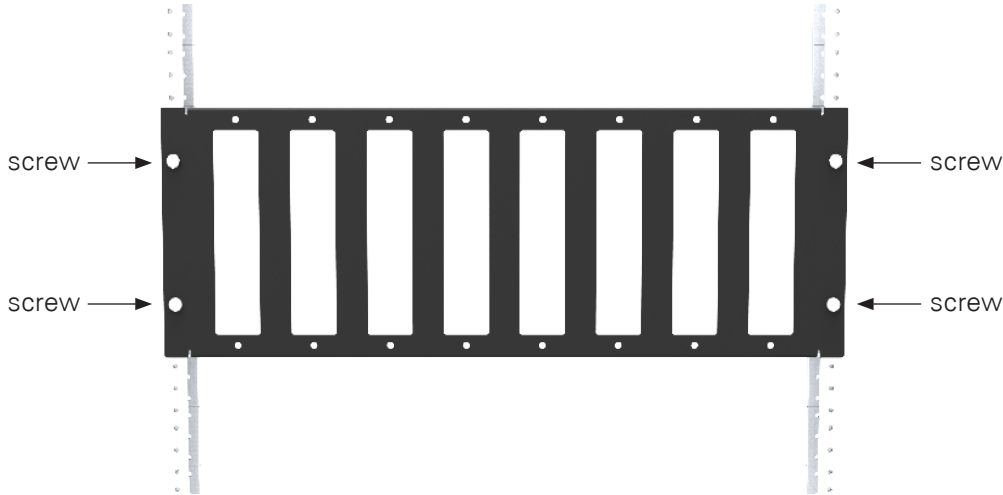
Rack Assembly Part Numbers

- ZyPer4K Standard Size Box = **Z4KRACKC1**
- ZyPer4K Dual Input Encoder = **Z4KRACKC2**
- ZyPerHD = **ZHDRACK**
- ZyPerUHD = **ZUHDRACK**



Installation

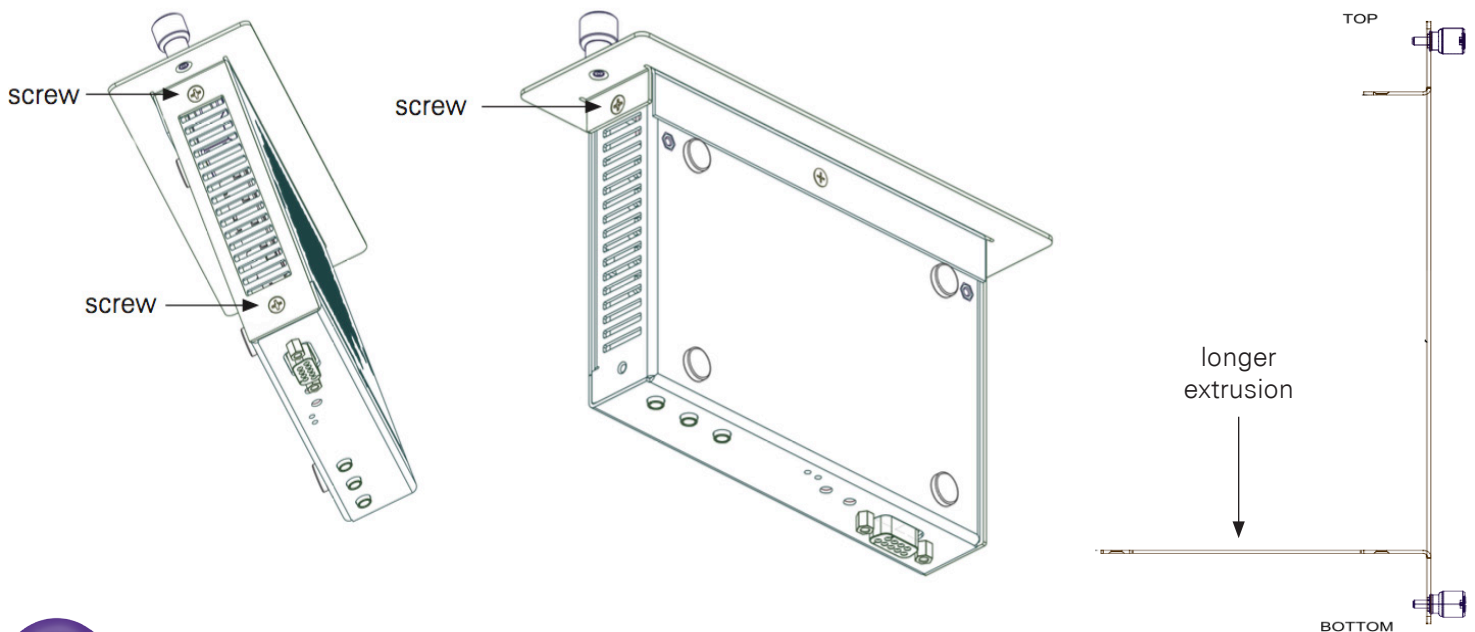
1. Mount the Rack Assembly in the rack using four screws, as shown:



2. Install the ZyPer4K encoders/decoder in the carrier unit using the included 4-40 countersink screws. ZyPerHD and ZyPerUHD should use the screws already included with the ZyPerHD/ZyPerUHD units. Make sure that three screws are used to secure each device. Note that the ZyPer encoders/decoders can be positioned forward or backward within each carrier unit, depending upon your requirements.

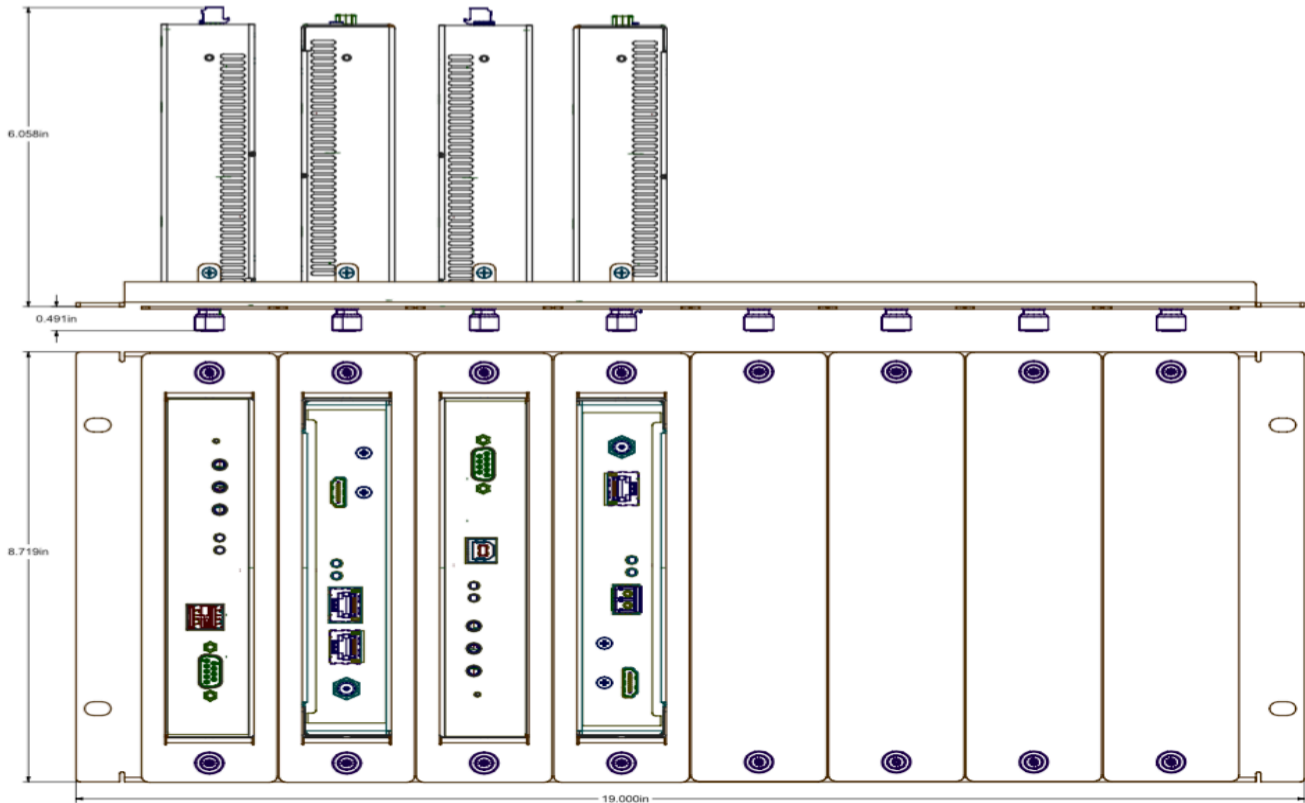
Orient the carrier so that the longer extrusion is at the bottom. Use two screws for this bottom portion of the carrier unit and a single screw on the top portion as shown.

For best results, the orientation of each encoder and decoder should be taken into consideration. For example, you may want to install some encoders or decoders so that the HDMI and Ethernet connectors are facing toward the rear of the Rack Assembly.



3. Install each carrier unit into an available slot on the Rack Assembly. Tighten the each thumbscrew until each carrier unit is secured. Do not overtighten or apply high-torque devices to the thumbscrews.

Each encoder and decoder can be installed in any of four positions, as shown below:



Specifications

Dimensions ZyPer4K Standard Box and ZyPerHD (including carrier units)

- 19.0" x 8.72" x 5.49" (483 mm x 221 mm x 139 mm)

Dimensions ZyPer4K Dual Input Encoder and ZyPerUHD (including carrier units)

- 19.0" x 10.46" x 5.51" (483 mm x 266 mm x 140 mm)