

WALKER

Illustrated Parts Manual

H24d



Beginning S/N: 145275
P/N 2000-18

KEY TO ABBREVIATIONS USED IN THIS MANUAL

<i>Abbreviation</i>	<i>What it Represents</i>
° (Dimension)	Degrees (Angle)
" (Dimension)	inches
(-)	Negative (Polarity)
(+)	Positive (Polarity)
AT	All-Terrain
CCW	Counter-clockwise
Conn	Connector
CW	Clockwise
D	Diameter
DC	Deck, Collection (number refers to size in inches)
DM	Deck, Mulching (number refers to size in inches)
DR	Deck, Rear Discharge (number refers to size in inches)
DS	Deck, Side Discharge (number refers to size in inches)
DU	Garlock (Bearing)
ESNA (Fastener)	Nylon Insert Locknut
FSC	Forward Speed Control
GA	Gauge
gal	gallon
GR (Fastener)	Grade
HD	Heavy Duty
HP	Horse Power
ID	Identification or Inside Diameter
L	Length
LH	Left Hand (orientated with operator on seat)
LP	Low Profile
mm (Dimension)	millimeters
MS (Fastener)	Machine Screw
NS (as part number)	Item is not sold by Walker Manufacturing
OD	Outside Diameter
oz	ounce
PFH (Fastener)	Phillips Flat Head
P/N	Part Number
PPH (Fastener)	Phillips Pan Head
PTH (Fastener)	Phillips Truss Head
PTO	Power Take-Off
QKS	Quick Slide
qt	quart
RH	Right Hand (orientated with operator on seat)
ROPS	Roll-Over Protection System
SAE (Fastener)	Society of Automotive Engineers
SBH (Fastener)	Socket Button Head (Bolt)
SFH (Fastener)	Slotted Flat Head
SHC (Fastener)	Socket Head Cap
SHL (Fastener)	Shoulder (Bolt)
SM (Fastener)	Sheet Metal (Screw)
S/N	Serial Number
Spg	Spring
SQH (Fastener)	Square Head
SS (Fastener)	Stainless Steel
ST (Fastener)	Self-Tapping (Screw)
Term	Terminal
V	Volts
VLR	Very Low Restriction

NOTE: In some instances, combinations of abbreviations may be used (e.g. PPHMS - Phillips Pan Head Machine Screw).

ILLUSTRATED PARTS LIST

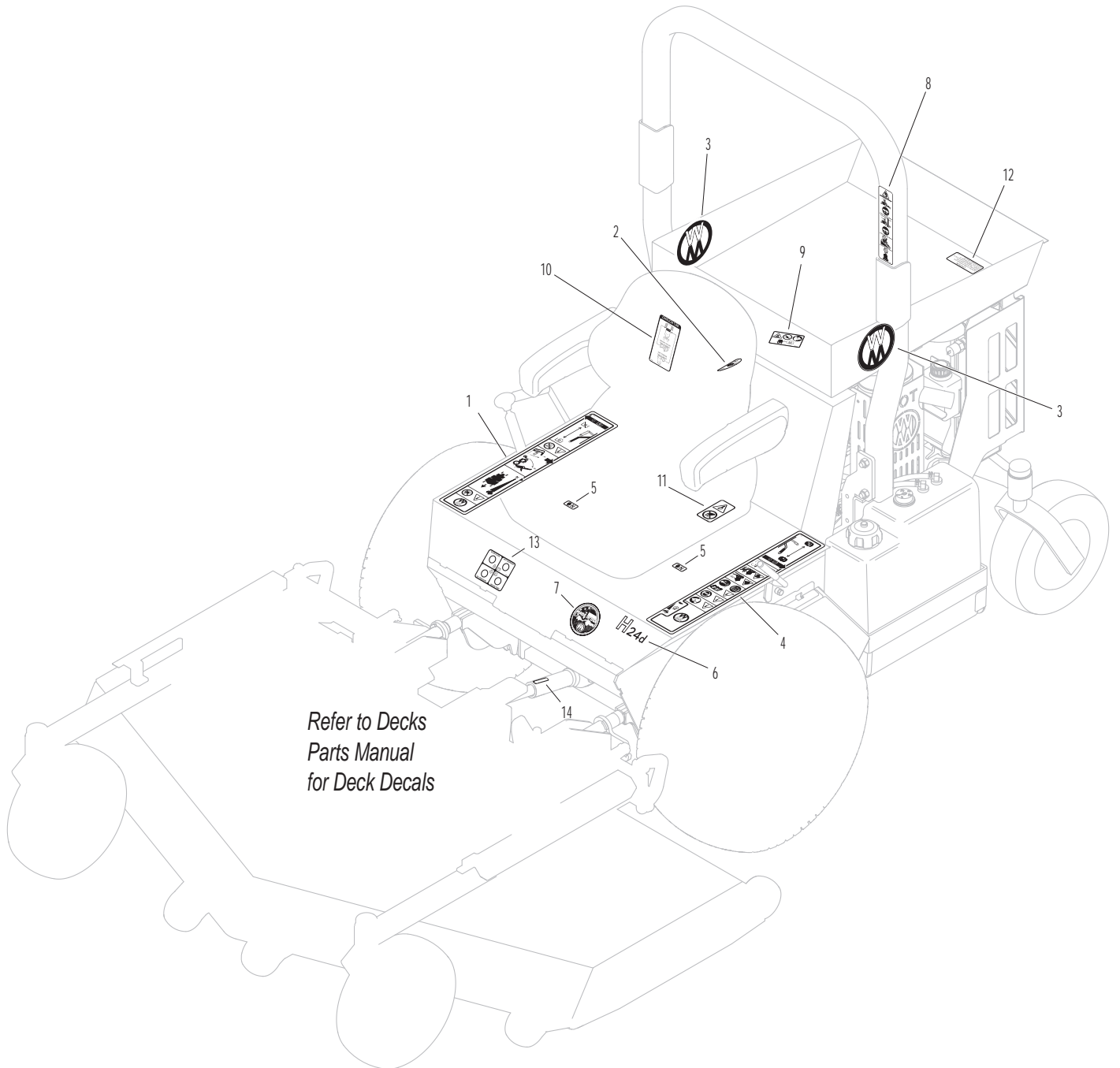
<i>Section of Tractor Covered</i>	<i>Page</i>	<i>Section of Tractor Covered</i>	<i>Page</i>
Decals		Electrical Components	
Tractor Decals	2	Electrical Assembly	20
Body / Chassis Assemblies		Maintenance	
Body Assembly	4	Lubrication Points	22
Chassis Assembly.....	6	Wiring Schematic.....	24
Tractor Components		Electrical Assembly (Connections).....	25
Main Component Power Transmission	8	Maintenance And Service Record Sheet.....	26
Engine Group.....	10	Warranty	
Radiator Group	12	Limited Warranty	29
Hydrostatic Ground Drive Assemblies.....	14		
Steering Control Assemblies.....	16		
Roll-Over Protection System (ROPS)	18		

TRACTOR DECALS

ITEM NO.	PART NO.	DESCRIPTION	LOCATION	NO. REQ'D SD
Walker Product and Operation Decals				
1	2802-4	RH Fender	Body, RH near Seat	1
2	2010-17	Fuel Transfer	Transfer Mount, RH	1
3	5800-9	Decal, Walker Round (4-3/4")	Rear Body (one on each side)	2
4	2802-5	LH Fender	Body, LH near Seat	1
5	9804-1	Axle Lockout	Hydro Mount Plate	2
6	8821-6	Decal, H24d	Body	1
7	5856-1	Made in USA	Body	1
Danger Decals Warning Decals Caution Decals				
8	5685-3	Decal, ROPS	ROPS	1
9	8600-12	Danger, Engine Exhaust	Engine Brace	1
10	2107-5	Decal, Belt Routing	Rear Body, Underside	1
11	8600-2	Danger, Rotating Components	Coupling Guard	1
Maintenance Decals				
12	2427-9	Radiator Solution	Radiator	1
13	2807-9	Decal, Amp/Glow Plug	Body	1
14	6875	PTO Alignment Arrow	Universal Joint Tube Assembly	1

NOTE: All parts requiring decals are shipped with decals applied.

TRACTOR DECALS

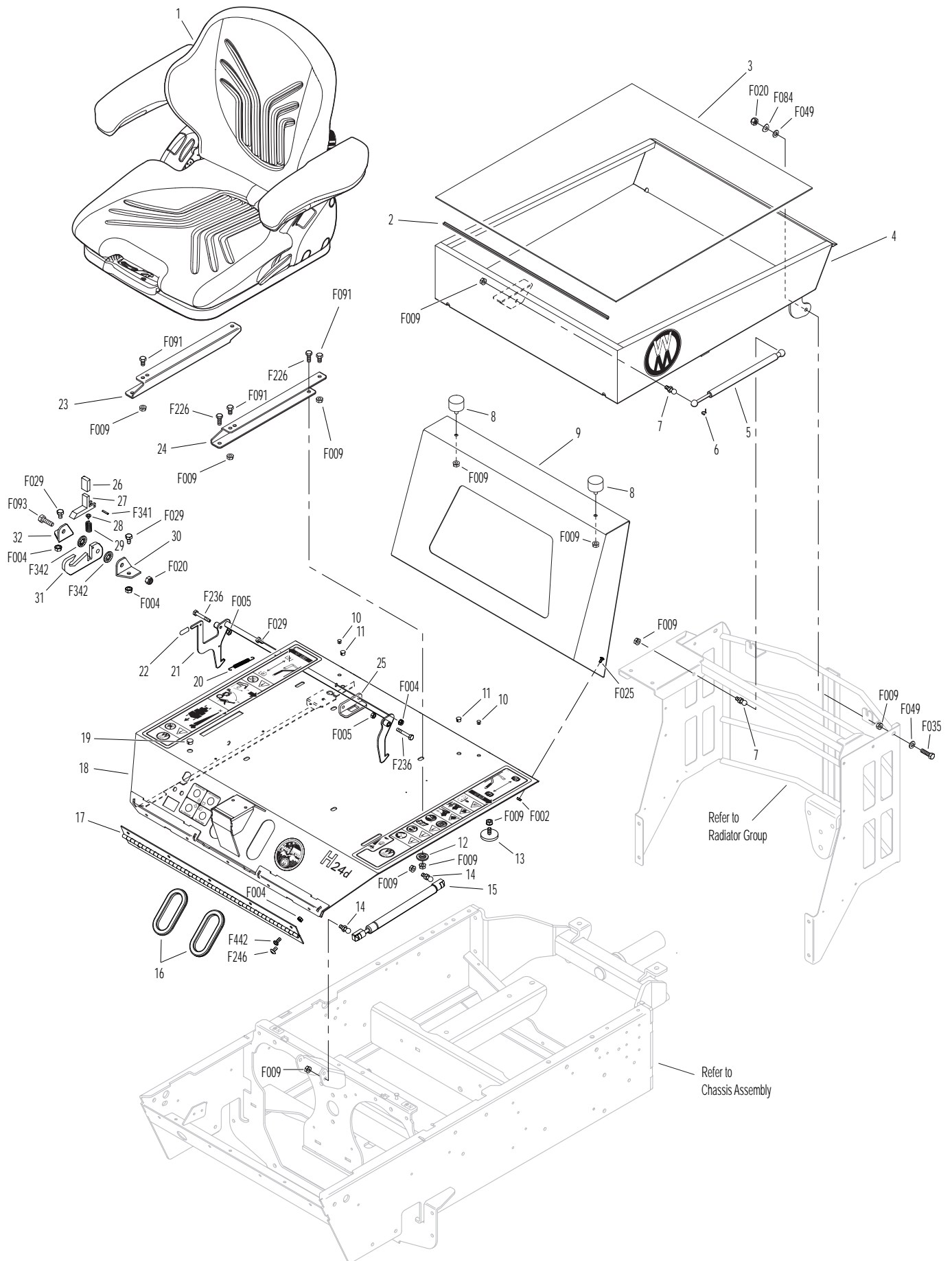


BODY ASSEMBLY

ITEM NO.	PART NO.	DESCRIPTION	NO. REQ'D	ITEM NO.	PART NO.	DESCRIPTION	NO. REQ'D
Body & Seat Assembly				Fasteners			
1	6103-14	Suspension Seat	1	F002	10-24 Keps Nut		5
2	M112	Edge Molding (16-3/8")	1	F004	1/4-20 Keps Nut		13
3	8650-12	Bed Liner (23-5/16 x 25-3/8)	1	F005	1/4-20 ESNA Nut		2
4	2650-1	Utility Bed (Includes Item # 3)	1	F009	5/16-18 Whiz Locknut		20
5	7145	Gas Spring Assembly (Includes Items # 6 & 7)	1	F020	5/16-18 ESNA Nut		3
6	7147	Spring Clip	2	F025	10-24 x 3/8 PPHMS		5
7	7146	13mm Ball Stud	2	F029	1/4-20 x 1/2 Hex Bolt		4
8	7845-1	Rubber Bumper (1.375 x .750)	2	F035	5/16-18 x 1-1/4 Hex Bolt		2
9	2105-13	Front Bed Support	1	F049	5/16 SAE Washer		4
10	5989-3	Dome Plug (5/16)	2	F084	5/16 Wave Spring Washer		2
11	5989-4	Dome Plug (3/8)	2	F091	5/16-18 x 5/8 Hex Bolt		4
12	6105-1	Shoulder Washer	2	F093	5/16-18 x 1 Hex Bolt		1
13	7844	Rubber Bumper (1.25 x .250)	2	F226	5/16-18 x 7/8 Hex Bolt		4
14	5146	10mm Ball Stud	2	F236	1/4-20 x 1-3/4 Hex Bolt		2
15	2145	Gas Spring	1	F246	1/4-20 x 1/2 PTHMS		4
16	5180	Edge Molding, Lever Opening	2	F341	Coil Roll Pin (7/64 x 9/16)		1
17	2504-4	Hinge (22.5)	1	F342	5/16 Conical Washer		2
18	2100-7	Front Body	1	F442	1/4-20 x 5/8 PTHMS		5
19	5989-55	Dome Plug (1/2)	1				
20	7222	Extension Spring (1/4 x 3)	1				
21	2383	Body Latch Hook	1				
22	7854	Plastic Tip, Red	1				
23	6103-44	Grammer Seat Mount Channel, RH	1				
24	6103-45	Grammer Seat Mount Channel, LH	1				
25	4102-1	Body Guide, Upper	1				
Tilt-Up Latch Assembly*							
26	5847	Plastic Tip	1				
27	5744-20	Spring Arm, Tilt-Up Latch	1				
28	5744-10	Spring Pivot Bushing	1				
29	5744-15	Compression Spring (3/8 x 5/8)	1				
30	5744-13	Mount Angle, LH	1				
31	5744-12	Hook, Tilt-Up Latch	1				
32	5744-14	Mount Angle, RH	1				

* Complete Tilt-Up Latch Assembly Kit available by ordering kit # 5747.

BODY ASSEMBLY

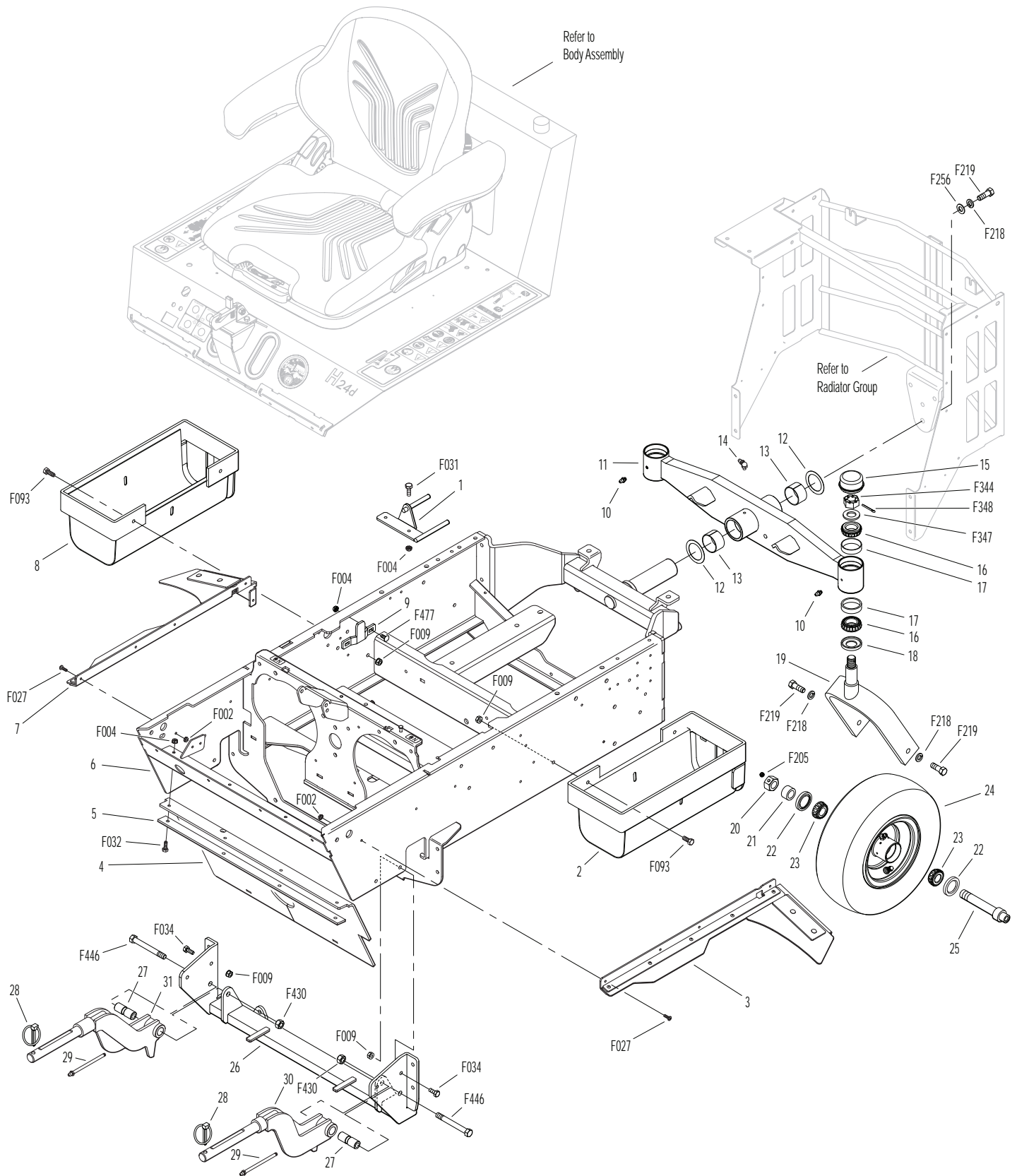


Beginning S/N 145275
 Use only genuine Walker® replacement parts.

CHASSIS ASSEMBLY

ITEM NO.	PART NO.	DESCRIPTION	NO. REQ'D	ITEM NO.	PART NO.	DESCRIPTION	NO. REQ'D
Chassis Assembly				Deck Support Arm & Hitch Assemblies			
1	2325-8	Belt Guide	1	26	2300-9	Deck Arm Support Mount	1
2	2046-1	Gas Tank Mount, LH	1	27	6840-1	Support Arm Bushing (2-1/16)	2
3	2301-25	Gap Seal Assembly, LH	1	28	2775	Lynch Pin (5/16 x 1-1/4)	2
4	2301-8	Debris Guard	1	29	5830-1	5/16-24 4" Grease Fitting	2
5	2301-9	Back-Up Plate	1	30	2431-2	Deck Support Arm, LH (Includes Item # 29)	1
6	2300-14	Chassis Frame	1	31	2430-2	Deck Support Arm, RH (Includes Item # 29)	1
7	2301-26	Gap Seal Assembly, RH	1	Fasteners			
8	2046	Gas Tank Mount	1	F002		10-24 Keps Nut	10
9	4102-2	Body Guide, Lower	1	F004		1/4-20 Keps Nut	8
Tail Wheel Assembly				F009		5/16-18 Whiz Locknut	8
10	5830	Grease Fitting	2	F027		10-24 x 5/8 PPHMS	10
11	2300-10	Tail Wheel Pivot (Includes Items # 10, 13 & 14)	1	F031		1/4-20 x 5/8 Hex Bolt	2
12	2201-2	Fiberglide Thrust Washer	2	F032		1/4-20 x 3/4 Hex Bolt	4
13	2201-3	Fiberglide Bearing (1-5/8)	2	F034		5/16-18 x 3/4 Hex Bolt	4
14	5830-4	Grease Fitting (90 Deg.)	1	F093		5/16-18 x 1 Hex Bolt	4
15	8769-8	Dust Cap, Deck Caster	2	F205		5/16-18 x 1/4 Set Screw (Knurl Point)	2
16	8769-6	Bearing Cone (1" ID)	4	F218		7/16 Split Lock Washer	5
17	8769-5	Bearing Cup (2 x 1-5/8)	4	F219		7/16-14 x 1-1/4 Hex Bolt	5
18	8769-7	Seal	2	F256		7/16 SAE Washer	1
19	2770	Caster Wheel Fork	2	F344		3/4-16 Slotted Hex Nut	2
20	8039	Nut, Tail Wheel Axle	2	F347		3/4 SAE Washer	2
21	8038-1	Spacer, Tail Wheel Axle (.750 ID x 1.125 OD)	2	F348		1/8 x 1-1/2 Cotter Pin	2
22	8768-2	Seal, Reverse Lip	4	F430		7/16-20 ESNA Nut	2
23	8037	Bearing Cone (3/4 ID)	4	F446		7/16-20 x 3-1/2 Grd 8 Bolt	2
24	8035	Tail Wheel & Tire (13 x 5.00-6) (W/Bearing Race)	2	F477		1/4-20 x 5/8 Carriage Bolt	2
25	7038	Tail Wheel Axle (3/4 x 5-9/16)	2				

CHASSIS ASSEMBLY



Beginning S/N 145275
 Use only genuine Walker® replacement parts.

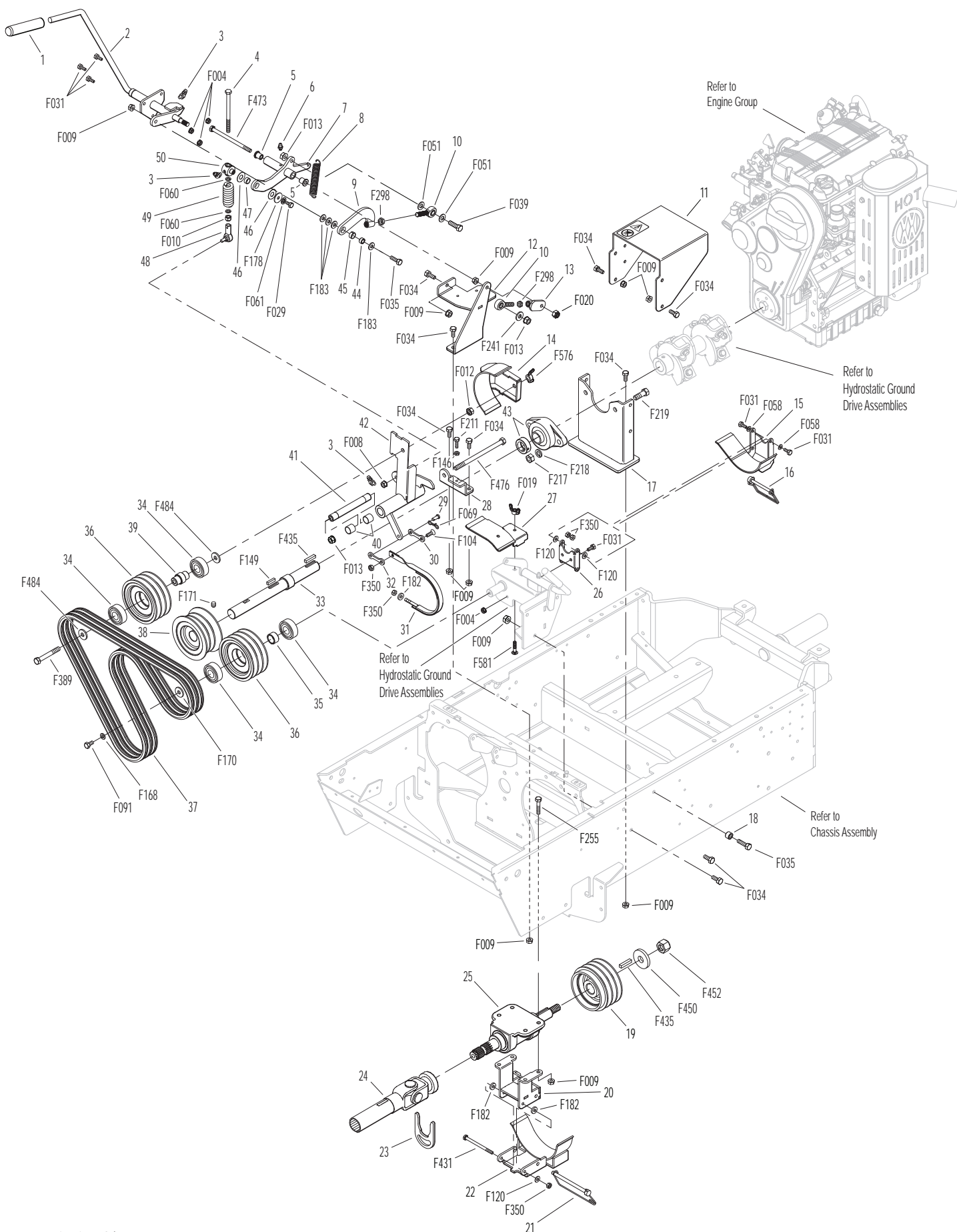
MAIN COMPONENT POWER TRANSMISSION

ITEM NO.	PART NO.	DESCRIPTION	NO. REQ'D	ITEM NO.	PART NO.	DESCRIPTION	NO. REQ'D
PTO Drive Assembly				Fasteners			
1	4850	Handle Grip, Black	1	F004	1/4-20 Keps Nut		4
2	2358-1	Clutch Lever, MBS (Includes Items # 1 & 3)	1	F008	5/16-24 Keps Nut		1
3	5830-3	Grease Fitting (45 Deg.)	3	F009	5/16-18 Whiz Locknut		18
4	4303-7	Clutch Actuator Bolt (5/16)	1	F010	5/16-24 ESNA Nut		1
5	2306-2	Oillite Flanged Bushing	2	F012	3/8-16 Keps Nut		1
6	5830	Grease Fitting	1	F013	3/8-16 Whiz Locknut		3
7	2325-7	Clutch Arm (Includes Items # 5 & 6)	1	F019	1/4-20 ESNA Wing Nut		1
8	5221-1	Extension Spring (3/4 x 5)	1	F020	5/16-18 ESNA Nut		1
9	2358-11	Clutch Actuator	1	F029	1/4-20 x 1/2 Hex Bolt		1
10	5214-13	Ball Joint (3/8)	2	F031	1/4-20 x 5/8 Hex Bolt		9
11	2011-12	Flex Coupling Guard	1	F034	5/16-18 x 3/4 Hex Bolt		13
12	2358-9	Clutch Pivot Base	1	F035	5/16-18 x 1-1/4 Hex Bolt		2
13	2358-8	Adjustor Brace	1	F039	3/8-16 x 1-1/4 Hex Bolt		1
14	2302-16	Right Hand Shoe	1	F051	3/8 SAE Washer		2
15	2302-3	Left Hand Shoe	1	F058	1/4 Wave Spring Washer		2
16	7775-6	Wire Lock Pin (2-1/2")	1	F060	AN960516 Washer		2
17	2349-7	Bearing Mount	1	F061	1/4 Star Lock Washer		1
18	2406-5	Spacer	1	F069	3/32 x 1/2 Cotter Pin		1
19	2236-5	PTO Pulley (4.5/AAA)	1	F091	5/16-18 x 5/8 Hex Bolt		1
20	2359-1	Brake Band / Guard Mount	1	F104	1/4-20 x 3/4 PFH Bolt		1
21	7775-8	Wire Lock Pin (4")	1	F120	AN960416 Washer		3
22	2302-5	PTO Shoe	1	F146	1/4-20 Jam Nut		1
23	7275-9	Quick Coupler Installation Tool	**	F149	1/4 x 1/4 x 1-1/2 Key		1
24	7275-16	Universal Joint Tube Assembly / Spline	1	F168	5/16 Split Lock Washer		1
25	2274-10	PTO Drive Shaft Assembly	*	F170	5/16 x 1 x 7/64 Flat Washer (Zinc Plate)		1
26	2302-6	Shoe Mount, LH	1	F171	5/16-18 x 3/8 Set Screw		1
27	2302-17	Upper Shoe, LH	1	F178	1/4 x 1 Fender Washer		1
28	2358-7	Clutch / Pivot Stop	1	F182	1/4 x 5/8 x 1/8 Washer		3
29	7523-2	Clevis Pin W/Hole (1/4 x 5/8)	1	F183	.312 x .700 x .074 Washer		4
30	4359-2	Brake Band Link, Rear	1	F211	1/4-20 x 7/8 Hex Bolt		1
31	8304	Brake Band (14-1/2)	1	F217	7/16-14 Hex Nut		2
32	4359-1	Brake Band Link, Front	1	F218	7/16 Split Lock Washer		2
33	2410-2	Drive Shaft	1	F219	7/16-14 x 1-1/4 Hex Bolt		2
34	2265	Bearing (20mm)	4	F241	.375 x .875 x .10 Washer		1
35	2406-7	Pivot Shaft Spacer	1	F255	5/16-18 x 1-1/2 Hex Bolt		4
36	2236-1	Idler Pulley (4.5/AAA)	2	F298	3/8-24 Jam Nut		2
37	2230	Engine PTO Belt / Set (3)	1	F350	1/4-20 LP Nylock		5
38	2236-6	Pulley (Includes Items # F149 & F171)	1	F389	3/8-16 x 2-3/4 Hex Bolt		1
39	2236-4	Idler Pulley Shaft	1	F431	1/4-20 x 3-1/2 Hex Bolt		1
40	7201-3	Fiberglide Bearing	2	F435	1/4 x 1/4 x 1-1/4 Key		2
41	7201-9	Inner Race (5.324)	1	F450	Washer 5/8 x 1-3/4 x 1/4		1
42	2359-3	Clutch Engagement (Includes Items # 3 & 40)	1	F452	5/8-18 Nylon Locknut		1
43	2349-6	Flanged Bearing	1	F473	5/16-18 x 5 Hex Bolt		1
44	2358-12	Fiberglide Bushing	1	F476	3/8-16 x 6-1/2 Hex Bolt		1
45	7201-2	Fiberglide Bearing 1/2"	1	F484	Washer .380 ID x 1.0 OD x .120		2
46	7377	Plastic Washer (1 x .438 x .025)	2	F576	3/8-16 ESNA Wing Nut		1
47	7378	Pivot Bearing (7/16 x 9/16)	1	F581	1/4-20 x 1-1/4" Carriage Bolt		1
48	5214-2	Ball Joint (5/16-24) (Nylon Lined)	1				
49	7226	Compression Spring (3/4 x 2-1/2)	1				
50	7380	Knuckle Joint	1				

* Service Part Only

** The Quick Coupler Installation Tool is used to assist the installation of the Quick Coupler Tube and PTO Shaft connection by holding the disconnect ring in the retracted position when joined to the tractor spline shaft on the PTO Drive Shaft.

MAIN COMPONENT POWER TRANSMISSION

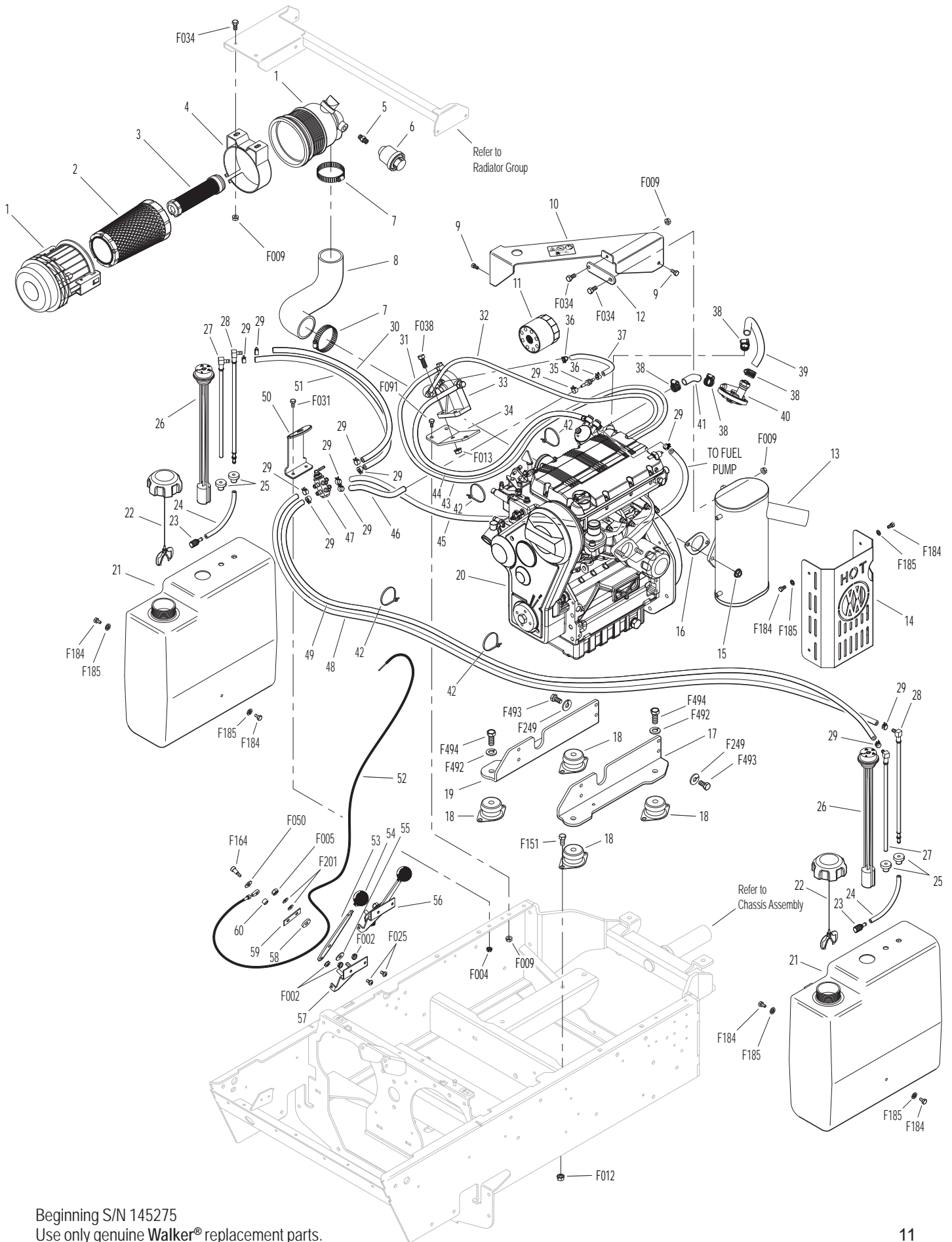


Beginning S/N 145275
 Use only genuine Walker® replacement parts.

ENGINE GROUP

ITEM NO.	PART NO.	DESCRIPTION	NO. REQ'D	ITEM NO.	PART NO.	DESCRIPTION	NO. REQ'D
Precleaner Assembly				44	NS	Fuel Line (Kohler)	1
1	4090	Air Cleaner Assembly (90 Degree 2") (Includes Items # 1-4)	1	45	M111	Fuel Line (1/4 x 20")	1*
2	5090-4	Air Cleaner Cartridge, VLR	1	46	M111	Fuel Line (1/4 x 5")	1*
3	5090-5	Safety Filter Insert, VLR	1	47	2010-6	Fuel Valve	1
4	NS	Air Cleaner Band	1	48	M246	Fuel Line (1/4 x 39")	1*
5	5091-4	Indicator Nipple	1	49	M111	Fuel Line (1/4 x 39")	1*
6	5091-3	Air Flow Indicator	1	50	2010-2	Fuel Transfer Mount	1
7	6029	Hose Clamp (1-3/4 to 2-1/4)	2	51	M246	Fuel Line (1/4 x 11")	1*
8	2012-5	Air Intake Hose	1	Throttle Assembly			
Engine Assembly				52	2108-6	Control Cable (73")	1
9	NS	Bolt (Kohler)	2	53	5108-1	Control Lever, Throttle / Choke	1
10	2437-3	Upper Engine Brace	1	54	5108-5	Throttle Control Knob, Red	1
11	NS	Oil Filter (Kohler 2175-283-S)	1	55	5108-11	Friction Washer (.062)	1
12	2437-4	Engine Muffler Link	1	56	2108-1	Throttle Control and Cable Assembly (Includes Items # 52-55, 57-60, F002, F005, F050, F164 & F201)	1
13	2013-2	Muffler	1	57	5108-8	Control Bracket	1
14	2013-9	Muffler Shield	1	58	5108-10	Friction Washer (.125)	1
15	NS	Nut (Kohler)	2	59	5108-7	Control Lock Tab	1
16	NS	Gasket (Kohler)	1	60	5172	Bearing, Delrin (.255 ID x .379 OD x .250)	1
17	2437-1	Engine Mount, LH	1	Fasteners			
18	7440-9	Motor Mount	4	F002	10-24 Keps Nut		3
19	2437-2	Engine Mount, RH	1	F004	1/4-20 Keps Nut		2
20	NS	23.4 HP Engine (Kohler)	1	F005	1/4-20 ESNA Nut		1
Fuel Tank Assembly				F009	5/16-18 Whiz Locknut		6
21	8055-4	Fuel Tank, 4.7 Gallon, Diesel (Black) (Includes Items # 23-28)	2	F012	3/8-16 Keps Nut		8
22	7082-1	Fuel Tank Cap, Diesel	2	F013	3/8-16 Whiz Locknut		2
23	5020-2	Fuel Filter, In Tank	2	F025	10-24 x 3/8 PPHMS		2
24	5086-7	Hose (1/4 x 6)	2	F031	1/4-20 x 5/8 Hex Bolt		2
25	5083-1	Bushing, Rubber	4	F034	5/16-18 x 3/4 Hex Bolt		4
26	8055-2	Fuel Tank Gauge	2	F038	3/8-16 x 1 Hex Bolt		2
27	7046-1	Fuel Return Tube	2	F050	1/4 SAE Washer		1
28	5083-8	Tank Tube (13")	2	F091	5/16-18 x 5/8 Hex Bolt		2
29	5879-3	Hose Clamp (1/2)	12	F151	3/8-16 x 7/8 Hex Bolt		8
30	M111	Fuel Line (1/4 x 10")	1*	F164	10-24 x 1/4 x 3/8 SHL Bolt		1
31	NS	Fuel Line (Kohler)	1	F184	1/4-20 x 1/2 Hex Bolt, SS		6
32	NS	Fuel Line (Kohler)	1	F185	1/4 Internal Star Lock Washer, SS		6
33	NS	Fuel Filter (Kohler)	1	F201	1/4 Belleville Spring Washer		2
34	2437-5	Fuel Filter Mount	1	F249	M10 Split Lock Washer		4
35	8043-10	1/4 x 3/16 Reducer Coupler	1	F492	M12 Split Lock Washer		4
36	5879-4	Hose Clamp (7/16)	2	F493	M10-1.5 x 20 Hex Bolt		4
37	M113	Fuel Line (3/16 x 6")	1*	F494	M12-1.75 x 30 Hex Bolt		4
38	7840-4	Hose Clamp (3/4 to 1-1/2)	4	* Required hose specifications:			
39	NS	Hose (Kohler)	1	M111 - 1/4" ID fuel/oil/vapor hose (Gates 4219-0103 or equivalent)			
40	NS	Crankcase Vacuum Regulator Valve (Kohler)	1	M113 - 3/16" ID fuel/oil/vapor hose (Gates 4219-0093 or equivalent)			
41	NS	Hose (Kohler)	1	M246 - 1/4" ID low permeation (<15g/m ² /day) fuel hose (Parker 38904 or equivalent)			
42	5975-1	Cable Tie (18# x 3-3/4")	4				
43	NS	Fuel Line (Kohler)	1				

ENGINE GROUP



Beginning S/N 145275
Use only genuine Walker® replacement parts.

RADIATOR GROUP

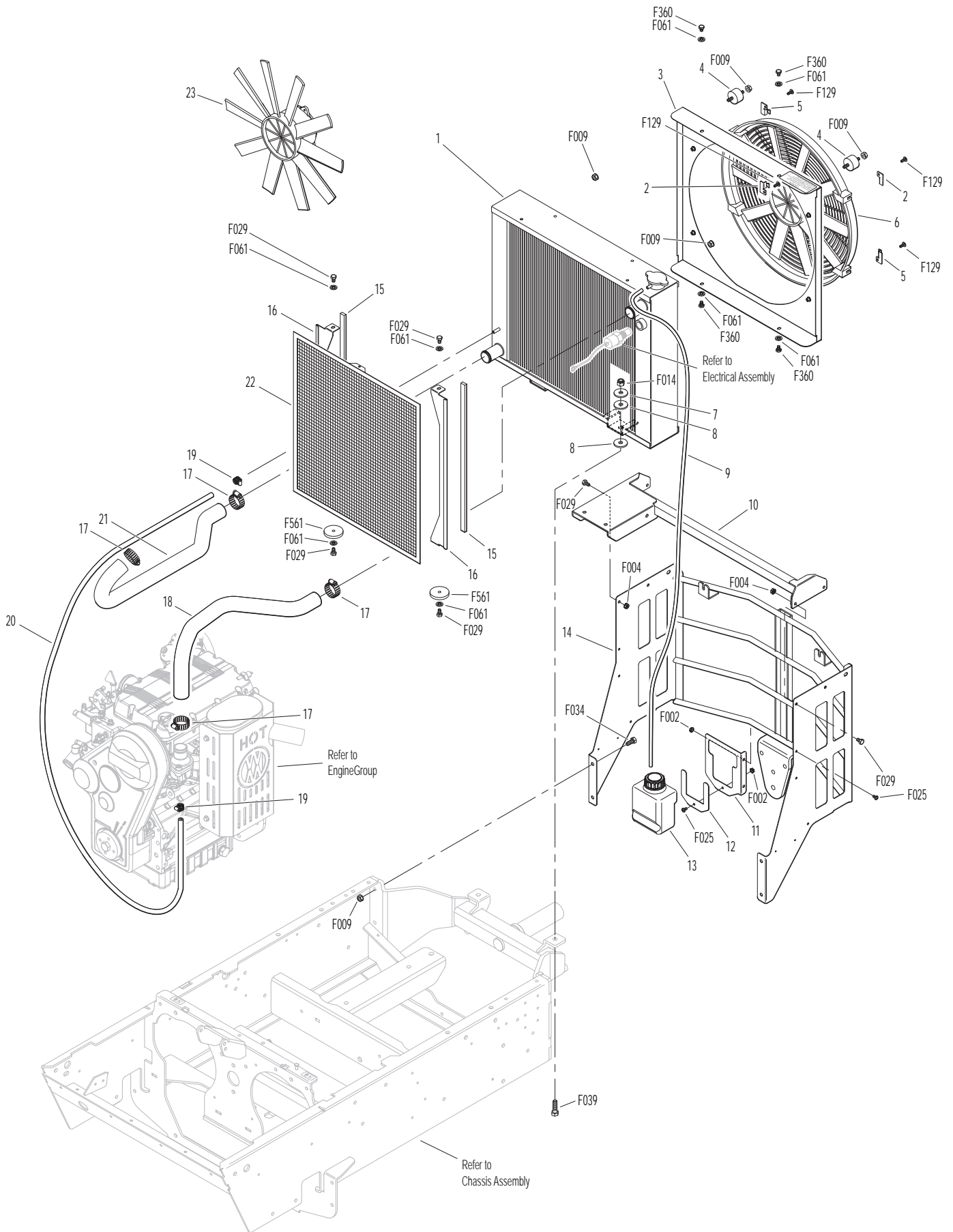
ITEM NO.	PART NO.	DESCRIPTION	NO. REQ'D	ITEM NO.	PART NO.	DESCRIPTION	NO. REQ'D
Radiator Assembly				Fasteners			
1	2427-5	Radiator	1	F002		10-24 Keps Nut	3
2	7427-21	Fan Mount Tab, LH	2	F004		1/4-20 Keps Nut	4
3	2425-3	Radiator Fan Shroud (Includes Item # F346)	1	F009		5/16-18 Whiz Locknut	8
4	7432	Shock Mount (1.0 OD x .75)	2	F014		3/8-16 ESNA Nut	2
5	7427-22	Fan Mount Tab, RH	2	F025		10-24 x 3/8 PPHMS	3
6	7429-6	Radiator Cooling Fan	*	F029		1/4-20 x 1/2 Hex Bolt	8
7	5841	Retainer Washer (3/8 x 1-1/4)	2	F034		5/16-18 x 3/4 Hex Bolt	4
8	7846	Washer (3/8 x 1-1/4 x 1/8)	4	F039		3/8-16 x 1-1/4 Hex Bolt	2
9	M204	Recovery Tank Hose (5/16 x 16-1/2")	1**	F061		1/4 Internal Star Lock Washer	8
10	2088-3	Air Cleaner Mount	1	F129		10-24 x 1/2 PTHMS	4
11	2427-6	Recovery Tank Mount	1	F360		1/4-20 x 3/8 Hex Bolt	4
12	2427-2	Recovery Tank Keeper	1	F561		1/4 x 1-3/4 Fender Washer	2
13	7427-3	Coolant Recovery Tank	1				
14	2427	Radiator Mount	1				
15	7431-3	Radiator Channel Seal	2				
16	2425-2	Screen Channel	2				
17	7840-4	Hose Clamp (3/4 to 1-1/2)	4				
18	2012-3	Upper Radiator Hose	1				
19	7840-2	Hose Clamp (1/4 to 5/8)	2				
20	M247	Hose	1**				
21	2012-4	Lower Radiator Hose	1				
22	2425-1	Radiator Screen	1				
23	7429-7	Fan Blade Replacement	*				

* Service Part Only

**** Required hose specifications:**

M204 - 5/16" ID 70 Durometer EPDM hose
M247 - 5/16" ID low permeation (<15g/m²/day) fuel hose
(Parker 38905 or equivalent)

RADIATOR GROUP

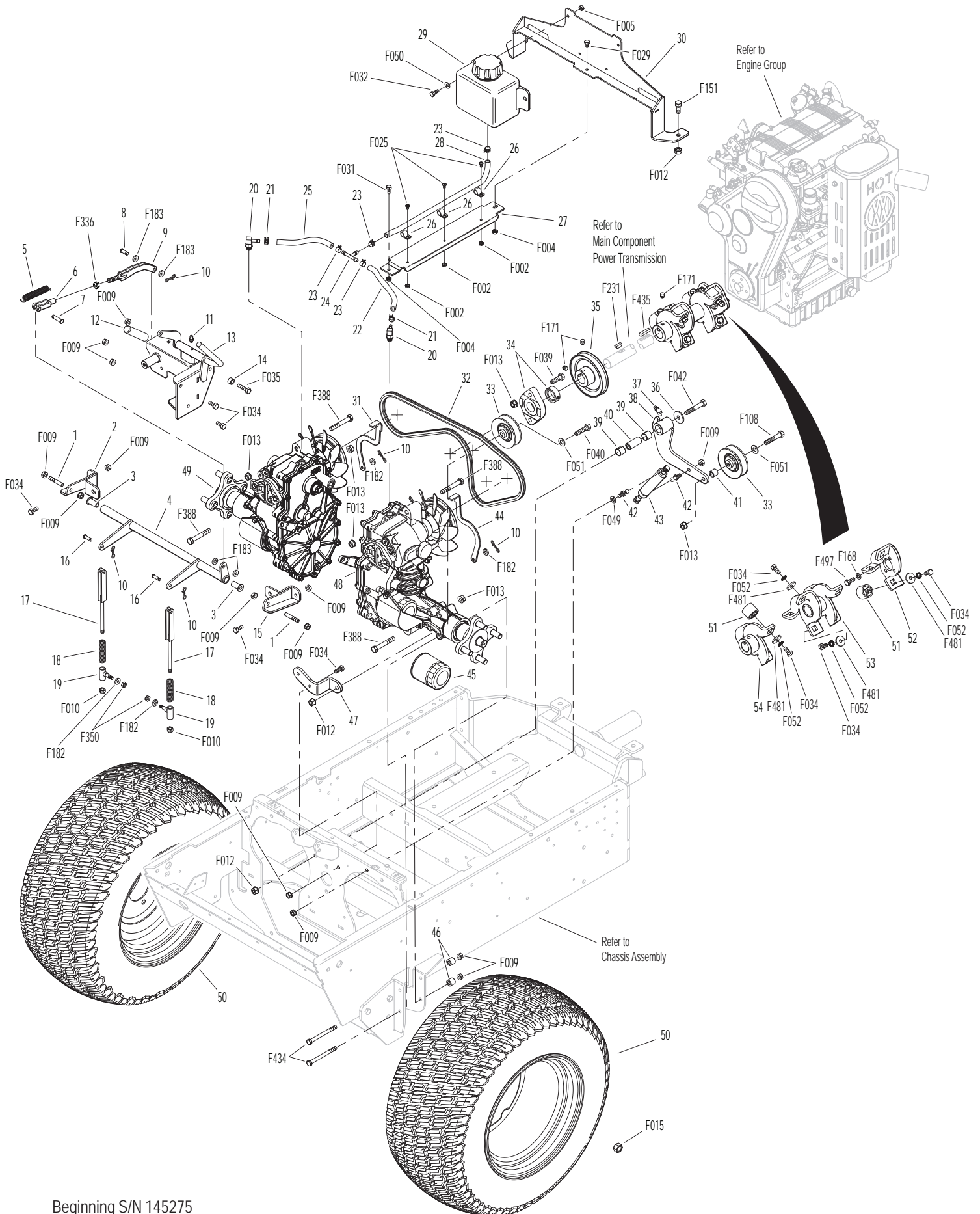


Beginning S/N 145275
Use only genuine Walker® replacement parts.

HYDROSTATIC GROUND DRIVE ASSEMBLIES

ITEM NO.	PART NO.	DESCRIPTION	NO. REQ'D	ITEM NO.	PART NO.	DESCRIPTION	NO. REQ'D
Parking Brake Assembly				47	2349-15	Idler Mount	1
1	2358-6	5/16-18 x 1-3/4 Stud	2	48	2025-13	Hydro-Gear ZT3400, LH	1
2	2300-2	Parking Brake Hydro Mount, RH	1	49	2026-13	Hydro-Gear ZT3400, RH	1
3	5103-2	Pivot Bushing (5/16 ID)	2	Wheel Assembly			
4	2406-3	Parking Brake Actuator Tube	1	50	2071	Wheel & Tire (22 x 10.50-12)	2
5	5222	Extension Spring (1/2 x 3-1/4)	1	PTO Coupler			
6	2280	Clevis (3/8)	1	51	2351-1	Rubber Iso Coupler	6
7	2406-4	Clevis Pin (5/16 x 1-1/8)	1	52	2351-16	Flex Coupler	1
8	8655-4	Clevis Pin (5/16 x 3/4)	1	53	2351-7	Inner Flex Coupler (1/4)	1
9	2406-1	Brake Actuator Pull	1	54	2351-3	Flex Coupler Half (Includes Items # F171 & F435)	1
10	4407-4	Bow Tie Cotter Pin	5	Fasteners			
11	5830	Grease Fitting	1	F002	10-24 Keps Nut		3
12	7406-1	Handle Grip, Red	1	F004	1/4-20 Keps Nut		2
13	2406-13	Parking Brake Idler Mount (Includes Items # 11 & 12)	1	F005	1/4-20 ESNA Nut		2
14	2406-5	Spacer	1	F009	5/16-18 Whiz Locknut		17
15	2300-1	Parking Brake Hydro Mount, LH	1	F010	5/16-24 ESNA Nut		2
16	7523-2	Clevis Pin W/Hole (1/4 x 5/8)	2	F012	3/8-16 Keps Nut		4
17	2406-10	Parking Brake Rod	2	F013	3/8-16 Whiz Locknut		7
18	5665-1	Compression Spring (2-1/2)	2	F015	1/2-20 Wheel Lug Nut		8
19	5463	Steering Lever Actuator	2	F025	10-24 x 3/8 PPHMS		3
Transaxle Reservoir Assemblies				F029	1/4-20 x 1/2 Hex Bolt		1
20	2025-17	Straight Thread Hose Fitting	2	F031	1/4-20 x 5/8 Hex Bolt		1
21	5879-4	Hose Clamp (7/16)	2	F032	1/4-20 x 3/4 Hex Bolt		2
22	M111	Hose (1/4 x 6-1/2")	1*	F034	5/16-18 x 3/4 Hex Bolt		18
23	5879-3	Hose Clamp (1/2)	4	F035	5/16-18 x 1-1/4 Hex Bolt		1
24	8043-9	1/4 x 1/4 x 1/4 Tee	1	F039	3/8-16 x 1-1/4 Hex Bolt		2
25	M111	Hose (1/4 x 6-1/4")	1*	F040	3/8-16 x 1-1/2 Hex Bolt		1
26	5832	Cable Clamp (1/2)	3	F042	3/8-16 x 2-1/4 Hex Bolt		1
27	2025-19	Hose Channel	1	F049	5/16 SAE Washer		1
28	M111	Hose (1/4 x 15")	1*	F050	1/4 SAE Washer		2
29	2024-1	Oil Expansion Reservoir (1 Qt.)	1	F051	3/8 SAE Washer		2
30	2025-21	Reservoir Bottle Mount	1	F052	5/16 Ext. Star Lock Washer		12
Ground Drive Assemblies				F108	3/8-16 x 2 Hex Bolt		1
31	2028-8	Lockout Arm, RH	1	F151	3/8-16 x 7/8 Hex Bolt		2
32	2248-1	Ground Drive Belt	1	F168	5/16 Split Lock Washer		4
33	4245	Idler Pulley (3/A)	2	F171	5/16-18 x 3/8 Set Screw		3
34	4349-12	Flanged Bearing (1")	1	F182	1/4 x 5/8 x 1/8 Washer		4
35	2240-2	Drive Pulley (Includes Item # F171)	1	F183	.312 x .700 x .074 Washer		4
36	5841	Retainer Washer (3/8 x 1-1/4)	1	F231	1/4 x 3/4 Woodruff Key (#806)		1
37	5830-3	Grease Fitting (45 Deg.)	1	F336	3/8-16 Jam Nut		1
38	2349-14	Transmission Belt Tensioner (Includes Items # 37 & 39)	1	F350	1/4-20 LP Nylock		2
39	7201-3	Fiberglide Bearing	2	F388	3/8-16 x 2-1/2 Hex Bolt		4
40	7201-4	Inner Race (1-1/2)	1	F434	5/16-18 x 3-1/2 Hex Bolt		4
41	6325-3	Spacer Bushing (9/16)	1	F435	1/4 x 1/4 x 1-1/4 Key		1
42	5146	10mm Ball Stud	2	F481	Washer 5/16 x 1 x .125		12
43	2215-6	Pressure Dampener	1	F497	M8 x 20 Hex Bolt		4
44	2028-7	Lockout Arm, LH	1	* Required hose specifications:			
45	2026-6	Hydro-Gear® Oil Filter (52114)	2	M111 - 1/4" ID fuel/oil/vapor hose (Gates 4219-0103 or equivalent)			
46	9430-1	Spacer Tube	4				

HYDROSTATIC GROUND DRIVE ASSEMBLIES

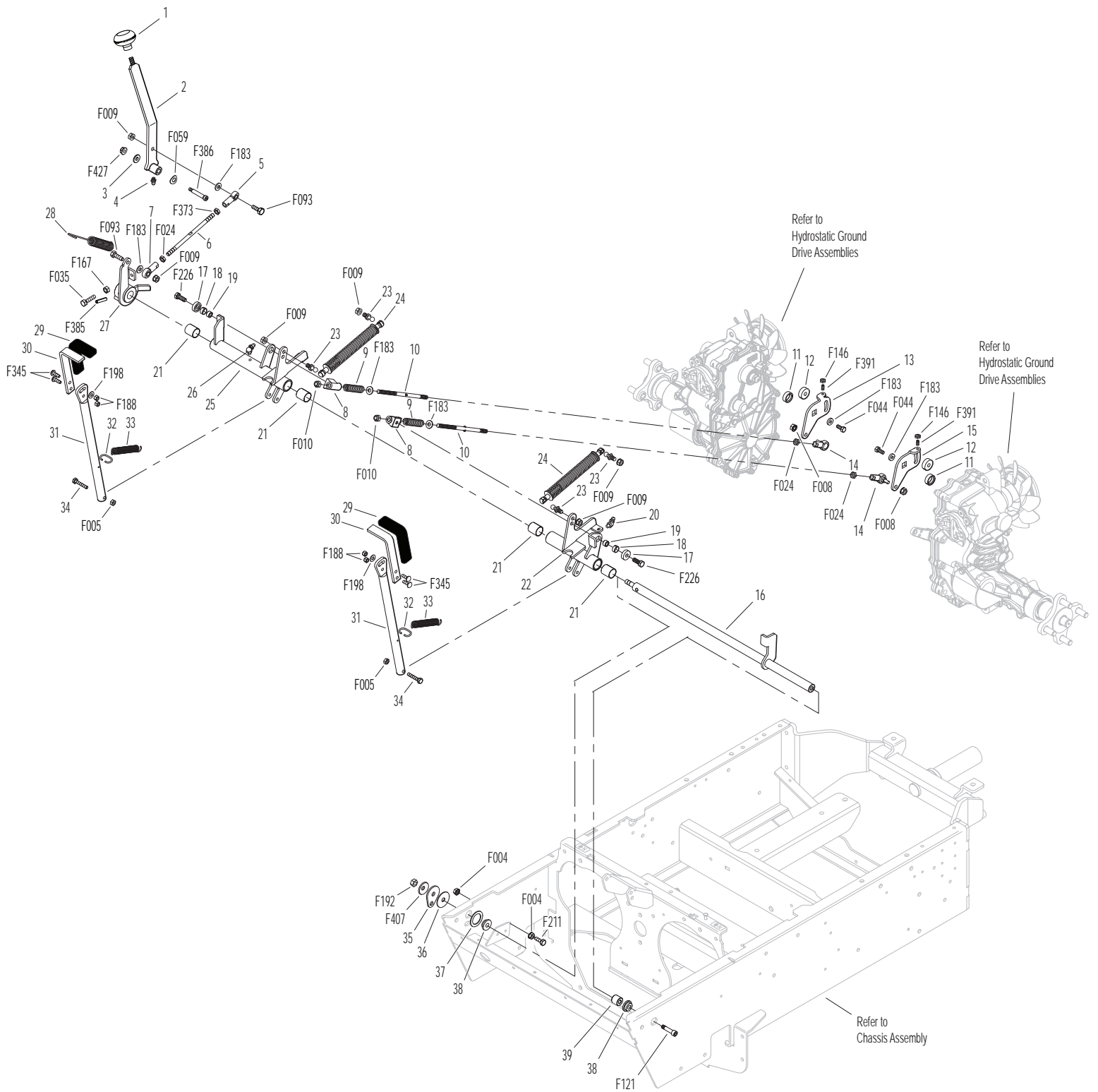


Beginning S/N 145275
Use only genuine Walker® replacement parts.

STEERING CONTROL ASSEMBLIES

ITEM NO.	PART NO.	DESCRIPTION	NO. REQ'D	ITEM NO.	PART NO.	DESCRIPTION	NO. REQ'D
Steering Lever & FSC Assemblies				34	4452-6	Steering Pivot (1/4-20 x 1-5/8)	2
1	5862	FSC Knob	1	35	4142-1	FSC Cam	1
2	4170	FSC Lever Assembly (Includes Item # 4)	*	36	5141	FSC Friction Washer (1-1/2 x 3/8 x 1/16)	1
3	2170-1	Step Washer	1	37	4142-2	FSC Friction Washer (1-1/2 x 1-1/32 x 1/16)	1
4	5830	Grease Fitting	1	38	9704-3	Pivot Rod Bushing, Plastic	2
5	5214-5	Ball Joint (5/16-24/LH) W/O Stud	1	39	2451-4	Steering Shaft Spacer	1
6	4213	Control Rod (6-1/4)	1	Fasteners			
7	5214-4	Ball Joint (5/16-24) W/O Stud	1				
8	5463-4	Steering Lever Actuator	2	F004	1/4-20 Keps Nut		2
9	5665-1	Compression Spring (2-1/2)	2	F005	1/4-20 ESNA Nut		2
10	2213	Control Rod (7")	2	F008	5/16-24 Keps Nut		2
11	2212-3	Seal Retainer	2	F009	5/16-18 Whiz Locknut		6
12	2212	Transmission Control Arm Stop	2	F010	5/16-24 ESNA Nut		2
13	2212-2	Transmission Control Arm, RH	1	F024	5/16-24 Jam Nut		3
14	5214-2	Ball Joint (5/16-24) (Nylon Lined)	2	F035	5/16-18 x 1-1/4 Hex Bolt		1
15	2212-1	Transmission Control Arm, LH	1	F044	5/16-24 x 3/4 Hex Bolt		2
16	2451-1	Steering Pivot Shaft With Stop	1	F059	3/8 Wave Spring Washer		1
17	5463-6	Washer 5/16 x 3/4 x .250	2	F093	5/16-18 x 1 Hex Bolt		2
18	7201-2	Fiberglide Bearing (1/2")	2	F121	5/16-18 x 3/8 x 1 SHL Bolt		1
19	5463-5	Steering Arm Pivot Bushing (SS)	2	F146	1/4-20 Jam Nut		2
20	5830-3	Grease Fitting (45 Degree)	1	F167	5/16-18 Hex Nut		1
21	8201-3	Fiberglide Bearing	4	F183	.312 x .700 x .074 Washer		6
22	2451-7	Speed Control Actuator, LH (Includes Items # 20 & 21)	1	F188	1/4-20 Self-Locking Nut		4
23	5146	10mm Ball Stud	4	F192	3/8-24 Self-Locking Nut		1
24	4199-2	Steering Lever Dampener Assembly	2	F198	.250 x .625 x .040 Washer, SS		2
25	2451-8	Speed Control Actuator, RH (Includes Items # 21 & 26)	1	F211	1/4-20 x 7/8 Hex Bolt		1
26	5830-4	Grease Fitting (90 Deg.)	1	F226	5/16-18 x 7/8 Hex Bolt		2
27	4451-4	FSC Friction Actuator	1	F345	1/4-20 x .770 Knurled Bolt		4
28	4219	Extension Spring (3/4 x 6-1/2)	1	F373	5/16-24 Hex Nut, LH		1
29	5850-2	Handle Grip, Foam (5-1/2)	2	F385	1/4 x 1-1/4 Roll Pin		1
30	5453-20	Steering Lever Handle (+1") Adjustable / SS (Includes Items # 29, F188, F198 & F345)	2	F386	5/16-18 x 1-1/2 x 3/8 Shoulder Bolt		1
31	4452-4	Steering Lever Tube W/Tab	2	F391	1/4-20 x 1/2 Set Screw, SS		2
32	5450	D-Clip	2	F407	Belleville Washer 3/8 x 1.187, SS		1
33	5222	Extension Spring (1/2 x 3-1/4)	2	F427	5/16-18 Flange Nut		1
				*	Service Part Only		

STEERING CONTROL ASSEMBLIES

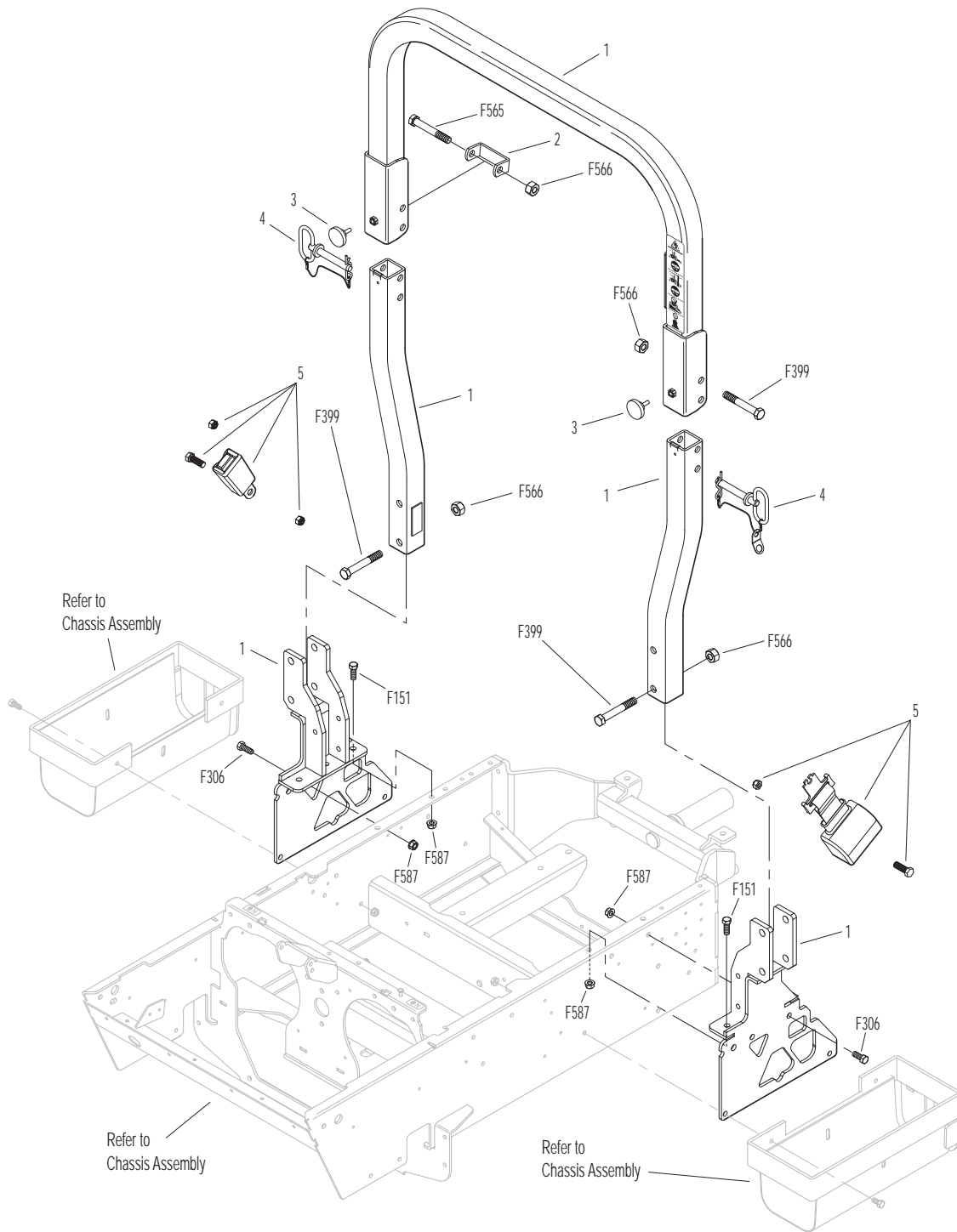


Beginning S/N 145275
 Use only genuine Walker® replacement parts.

ROLL-OVER PROTECTION SYSTEM (ROPS)

ITEM NO.	PART NO.	DESCRIPTION	NO. REQ'D	ITEM NO.	PART NO.	DESCRIPTION	NO. REQ'D
ROPS Assembly				Fasteners			
1	A30	ROPS	1	F151		3/8-16 x 7/8 Hex Bolt	4
2	2302-11	Stop Plate	1	F306		3/8-16 x 3/4 Hex Bolt	4
3	2302-10	Threaded Knob	2	F399		1/2-13 x 3-1/4 Hex Bolt	5
4	2302-9	Hinge Pin	2	F565		1/2-13 x 3-1/4 Hex Bolt, Grade 8	1
5	2302-8	ROPS Seat Belt, Grammer Seat	1	F566		1/2-13 Nut, HXCL Reversible Locking Nut	6
				F587		3/8-16 Top Lock Flange Nut, Grade G	8

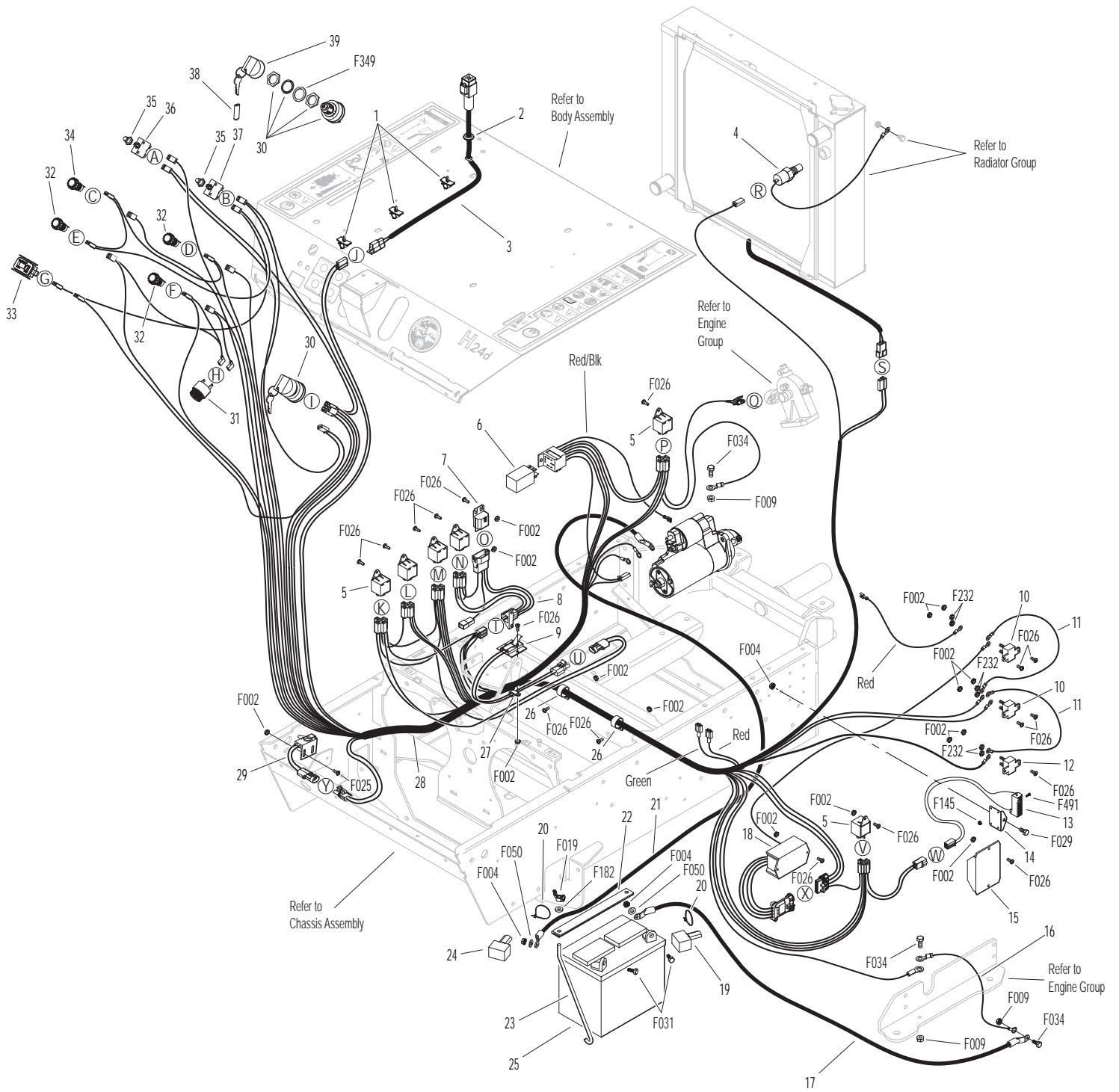
ROLL-OVER PROTECTION SYSTEM (ROPS)



ELECTRICAL ASSEMBLY

ITEM NO.	PART NO.	DESCRIPTION	NO. REQ'D	ITEM NO.	PART NO.	DESCRIPTION	NO. REQ'D
Electrical Assembly				28	2940-17	Wire Harness	1
1	6105-3	Harness Clip	3	29	5942-4	Safety Switch (NO)	1
2	5977-3	Grommet (9/16)	1	30	8960-15	Ignition Switch W/Keys (Includes Items # 38, 39 & F349)	1
3	2103-8	Adapter Harness	1	31	8536-2	Warning Horn Assembly	1
4	7306-11	Switch (205 Deg. 3/8-18 NPT)	1	32	8996-9	Red Indicator Light Assembly	3
5	6942	Relay Switch 20/40 Amp (NC)	6	33	8990-1	Hourmeter (Global)	1
6	NS	Glow Plug Controller / Timer (Kohler)	1	34	8996-13	Glow Plug Light Assembly, Green	1
7	7948-6	Time Delay Module	1	35	7941-3	Boot, Circuit Breaker	2
8	7948-2	Time Delay Harness	1	36	7941-2	Circuit Breaker (10 Amp)	1
9	5941-2	Safety Switch	1	37	7941-5	Circuit Breaker (7 Amp)	1
10	8941	Circuit Breaker (30 Amp) (Auto Reset/Sealed)	2	38	7854	Plastic Tip, Red	1
11	8440-3	Jumper Wire	2	39	8960-3	Key Set W/Umbrella	1
12	7941	Circuit Breaker (40 Amp) (Auto Reset/Sealed)	1	Fasteners			
13	7433-2	Resistor, 50 Watt .4 OHM 1%	1	F002	10-24 Keps Nut		24
14	7433-3	Resistor Mount	1	F004	1/4-20 Keps Nut		3
15	NS	Regulator/Rectifier (Kohler)	1	F009	5/16-18 Whiz Locknut		3
16	2940-9	Ground Wire (8")	1	F019	1/4-20 ESNA Wing Nut		2
17	2940-3	Battery Cable (14")	1	F025	10-24 x 3/8 PPHMS		2
18	7428-2	Fan Control Module W/P Plug	1	F026	10-24 x 1/2 PPHMS		22
19	5932	Battery Terminal Insl., Blk (-)	1	F029	1/4-20 x 1/2 Hex Bolt		1
20	5975-1	Cable Tie (18# x 3-3/4")	2	F031	1/4-20 x 5/8 Hex Bolt		2
21	2940-2	Battery Cable (22")	1	F034	5/16-18 x 3/4 Hex Bolt		3
22	5844	Battery Hold-Down Bar	1	F050	1/4 SAE Washer		2
23	5839	Hook Bolt	2	F145	4-40 Keps Nut		2
24	5933	Battery Terminal Insl., Red (+)	1	F182	1/4 x 5/8 x 1/8 Washer		2
25	NS	Battery (12V/340CCA/Wet)	1	F232	10-32 Keps Nut		6
26	7833	Cable Clamp (7/8 x 1/4)	2	F349	Washer .835 ID 1.122 OD, SS		1
27	5833	Cable Clamp (1/4)	1	F491	4-40 x 3/8 PPHMS		2

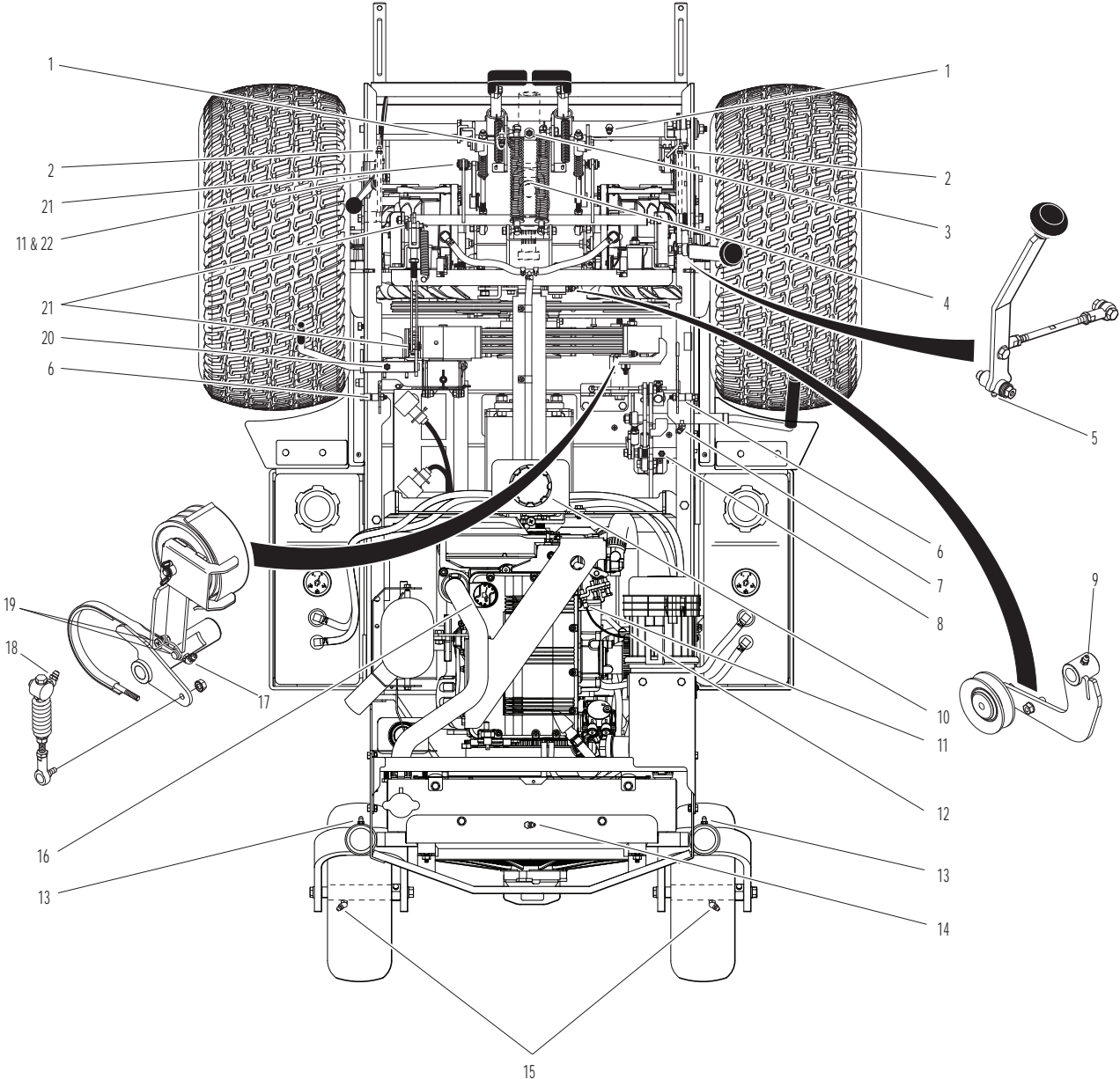
ELECTRICAL ASSEMBLY



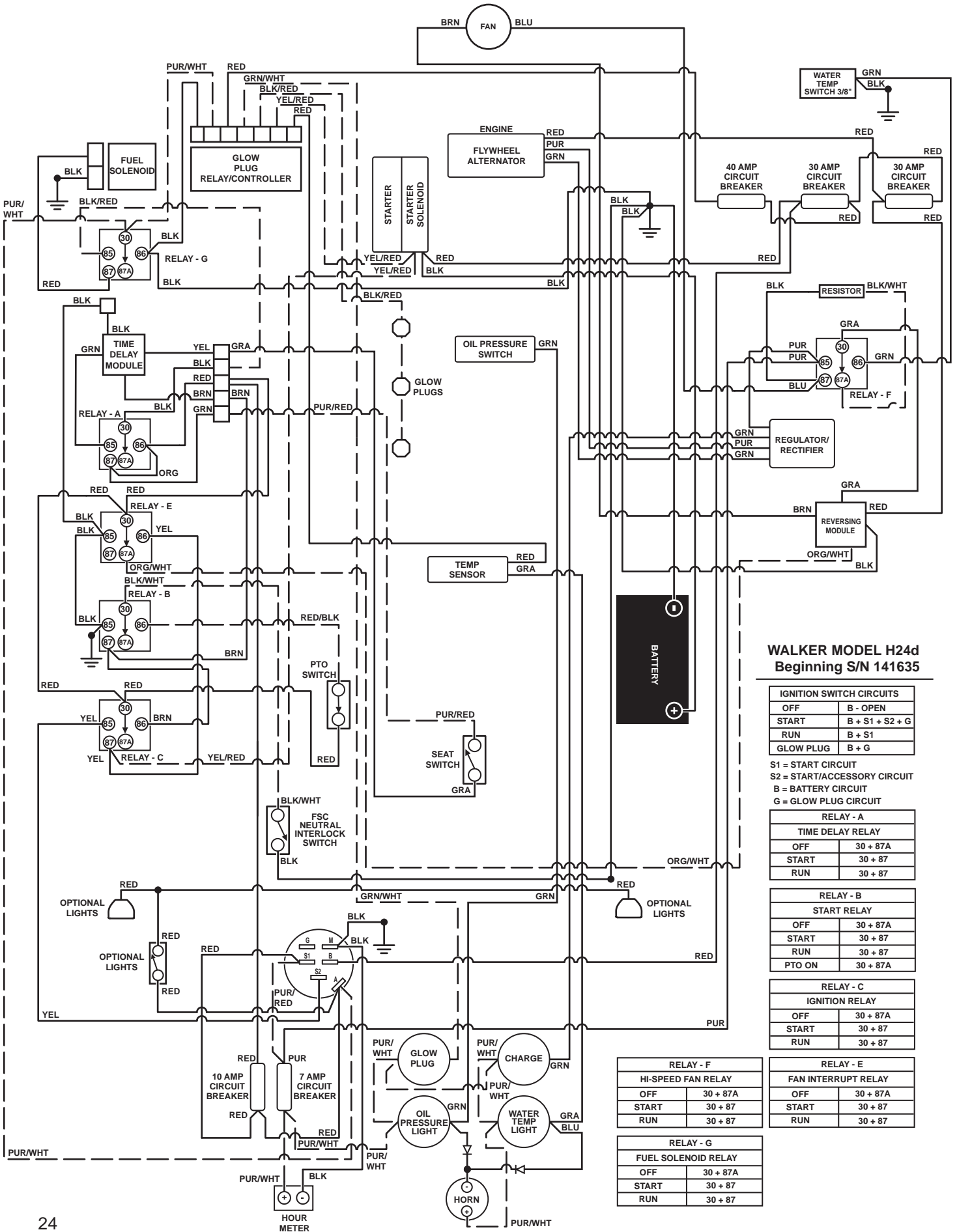
LUBRICATION POINTS

ITEM NO.	LOCATION	LUBRICATION TYPE	NO. PLACES	ITEM NO.	LOCATION	LUBRICATION TYPE	NO. PLACES
Lubrication Points							
1	Steering Lever Pivot	Grease	2	15	Rear Wheel Bearing	Grease	2
2	Deck Support Arm Pivot	Grease	2	16	Engine / Oil Filler	Oil**	1
3	Deck-to-PTO Coupling (Grease Spline Slide Area)	Grease	1	17	PTO Belt Tightener Pivot	Grease	1
4	Universal Joint Tube Assembly	Grease*	1	18	Clutch Actuator Push Rod	Grease	1
5	FSC Lever Pivot	Grease	1	19	Brake Band Pivot Pins (Clevis)	Oil	2
6	Body Latch Pivot	Oil	2	20	Parking Brake Pivot	Grease	1
7	PTO Clutch Lever Pivot	Grease	1	21	Parking Brake Clevis	Oil	3
8	Clutch Arm Pivot	Grease	1	22	Throttle Control Pivot	Oil	1
9	Hydro Idler Arm Pivot	Grease	1	* Grease every 25 hours.			
10	Transaxle Oil Reservoir	Oil	1	** Refer to H24d Operator's Manual for procedure for checking and changing oil in Engine Crankcase.			
11	Throttle Control Cable Ends	Oil	2	NOTE: See Model H24d Operator's Manual (P/N 2000-15) for proper lubrication intervals.			
12	Engine Dipstick	Oil**	1				
13	Tail Wheel Caster Fork Pivot	Grease	2				
14	Rear Wheel Pivot	Grease	1				

LUBRICATION POINTS



WIRING SCHEMATIC



WALKER MODEL H24 Beginning S/N 141635

IGNITION SWITCH CIRCUITS	
OFF	B - OPEN
START	B + S1 + S2 + G
RUN	B + S1
GLOW PLUG	B + G

S1 = START CIRCUIT
 S2 = START/ACCESSORY CIRCUIT
 B = BATTERY CIRCUIT
 G = GLOW PLUG CIRCUIT

RELAY - A TIME DELAY RELAY	
OFF	30 + 87A
START	30 + 87
RUN	30 + 87

RELAY - B START RELAY	
OFF	30 + 87A
START	30 + 87
RUN	30 + 87
PTO ON	30 + 87A

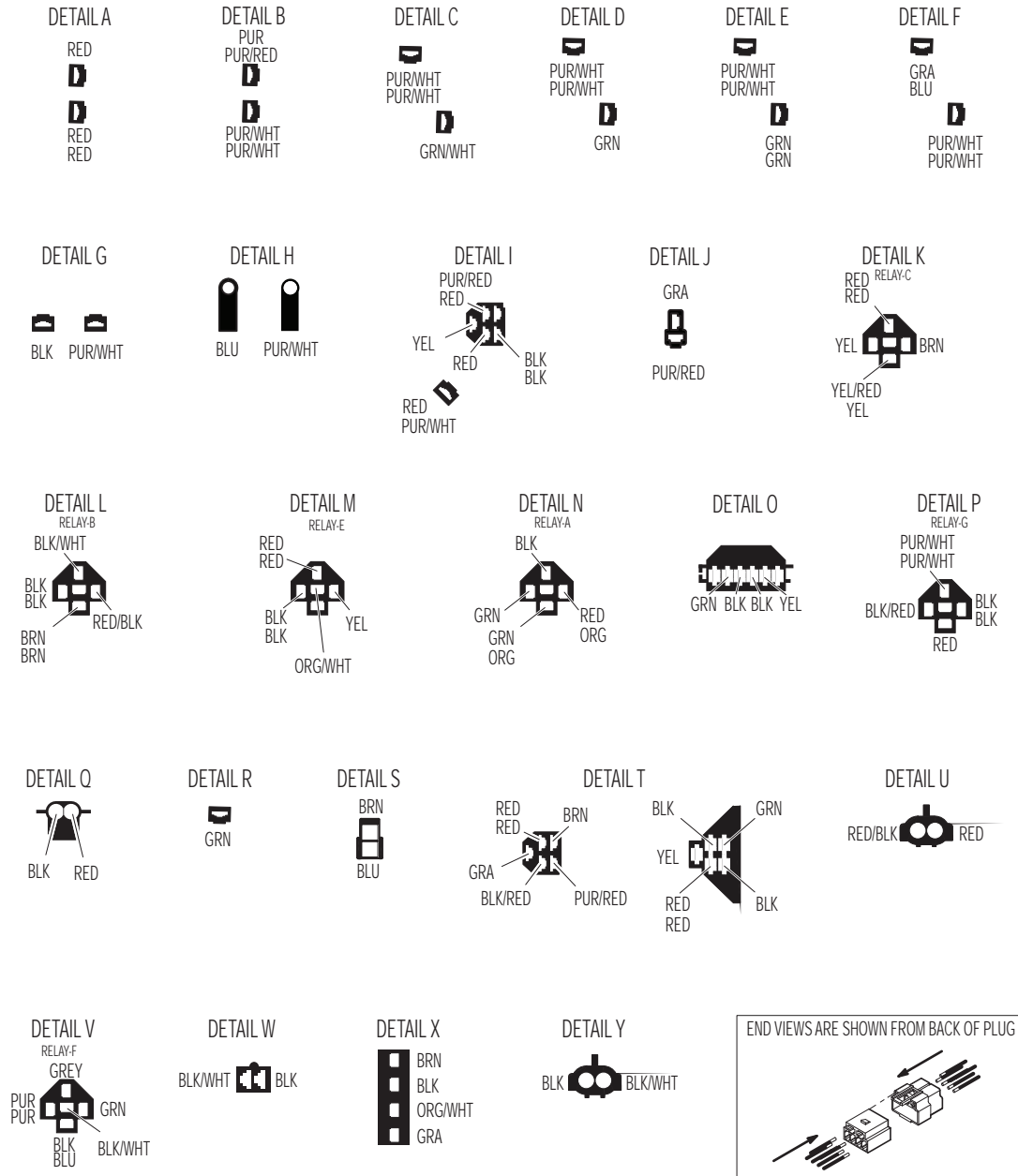
RELAY - C IGNITION RELAY	
OFF	30 + 87A
START	30 + 87
RUN	30 + 87

RELAY - F HI-SPEED FAN RELAY	
OFF	30 + 87A
START	30 + 87
RUN	30 + 87

RELAY - G FUEL SOLENOID RELAY	
OFF	30 + 87A
START	30 + 87
RUN	30 + 87

RELAY - E FAN INTERRUPT RELAY	
OFF	30 + 87A
START	30 + 87
RUN	30 + 87

ELECTRICAL ASSEMBLY (CONNECTIONS)



LIMITED WARRANTY FOR WALKER MODEL H24d RIDER MOWER

1. WHAT THIS WARRANTY COVERS, AND FOR HOW LONG:

Walker Manufacturing company will, at its option, repair or replace, without charge, any part covered by this warranty which is found to be defective in material and/or workmanship within one (1) year* after date of sale to the original retail purchaser unless the product is used for rental purposes, in which case this warranty is limited to ninety (90) days. At Walker's request, customer will make the defective part available for inspection by Walker and/or return the defective part to Walker, transportation charges prepaid. All parts and components of the Walker Mower are covered by this warranty **except** the following components which are warranted separately by their respective manufacturers:

Kohler Engine
Hydro-Gear Transaxles
Battery
Tires

The available warranties covering these items are furnished with each mower. Walker does not assume any warranty obligation, liability or modification for these items, which are covered exclusively by the stated warranty of the respective manufacturers noted above.

* Extended warranties are offered for the following powertrain components:

- A three (3) year or 3000 hour (whichever comes first) warranty is offered for Hydro-Gear ZT3400 Hydrostatic transaxle; covers full cost of replacement up to 1000 hours of use, and after 1000 hours warranty coverage is prorated against 3000 hours.

2. WHAT THIS WARRANTY DOES NOT COVER:

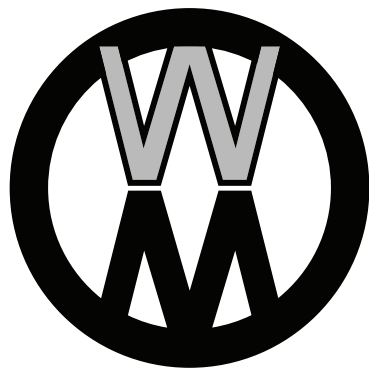
- A. This warranty does not cover defects caused by depreciation or damage caused by normal wear, accidents, improper maintenance, improper use or abuse of the product, alterations, or failure to follow the instructions contained in the Operator's Manual for operation and maintenance.
- B. The customer shall pay any charges for making service calls and/or for transporting the mower to and from the place where the inspection and/or warranty work is performed.

3. HOW TO OBTAIN SERVICE UNDER THIS WARRANTY:

Warranty service can be arranged by contacting the dealer where you purchased the mower or by contacting Walker Manufacturing Company, 5925 East Harmony Road, Ft. Collins, CO 80528. Proof of the date of purchase may be required to verify warranty coverage.

4. WARRANTY LIMITATION:

- A. **THERE IS NO OTHER EXPRESS WARRANTY. ANY WARRANTY THAT MAY BE IMPLIED FROM THIS PURCHASE INCLUDING MERCHANTABILITY AND FITNESS FOR A PARTICULAR PURPOSE IS HEREBY LIMITED TO THE DURATION OF THIS WARRANTY AND TO THE EXTENT PERMITTED BY LAW ANY AND ALL IMPLIED WARRANTIES ARE EXCLUDED.** Some states do not allow limitations on how long an implied warranty lasts, so the above limitations may not apply to you.
- B. **WALKER WILL NOT BE LIABLE FOR ANY INCIDENTAL, CONSEQUENTIAL, OR SPECIAL DAMAGES AND/OR EXPENSES IN CONNECTION WITH THE PURCHASE OR USE OF THE MOWER.** Some states do not allow the exclusion or limitation of incidental or consequential damages, so the above limitation(s) or exclusion(s) may not apply to you.
- C. Only the warranty expressed in this limited warranty shall apply and no dealer, distributor, or individual is authorized to amend, modify, or extend this warranty in any way. Accordingly, additional statements such as dealer advertising or presentations, whether oral or written, do not constitute warranties by Walker, and should not be relied upon.
- D. This warranty gives you specific legal rights, and you may also have other rights which vary from state to state.



WALKER

WALKER MFG. CO. • 5925 E. HARMONY ROAD, FORT COLLINS, CO 80528 • (970) 221-5614
FORM NO. 061118 PRINTED IN USA www.walkermowers.com ©2018 WALKER MFG. CO