

WALKER

Illustrated Parts Manual

H27i



Beginning S/N: 145275
P/N 2000-22

KEY TO ABBREVIATIONS USED IN THIS MANUAL

<i>Abbreviation</i>	<i>What it Represents</i>
° (Dimension)	Degrees (Angle)
" (Dimension)	inches
(-)	Negative (Polarity)
(+)	Positive (Polarity)
AT	All-Terrain
CCW	Counter-clockwise
Conn	Connector
CW	Clockwise
D	Diameter
DC	Deck, Collection (number refers to size in inches)
DM	Deck, Mulching (number refers to size in inches)
DR	Deck, Rear Discharge (number refers to size in inches)
DS	Deck, Side Discharge (number refers to size in inches)
DU	Garlock (Bearing)
ESNA (Fastener)	Nylon Insert Locknut
FSC	Forward Speed Control
GA	Gauge
gal	gallon
GHS	Grass Handling System
GR (Fastener)	Grade
HD	Heavy Duty
HP	Horse Power
ID	Identification or Inside Diameter
L	Length
LH	Left Hand (orientated with operator on seat)
LP	Low Profile
mm (Dimension)	millimeters
MS (Fastener)	Machine Screw
NS (as part number)	Item is not sold by Walker Manufacturing
OD	Outside Diameter
oz	ounce
PFH (Fastener)	Phillips Flat Head
P/N	Part Number
PPH (Fastener)	Phillips Pan Head
PTH (Fastener)	Phillips Truss Head
PTO	Power Take-Off
QKS	Quick Slide
qt	quart
RH	Right Hand (orientated with operator on seat)
SAE (Fastener)	Society of Automotive Engineers
SBH (Fastener)	Socket Button Head (Bolt)
SFH (Fastener)	Slotted Flat Head
SHC (Fastener)	Socket Head Cap
SHL (Fastener)	Shoulder (Bolt)
SM (Fastener)	Sheet Metal (Screw)
S/N	Serial Number
Spg	Spring
SQH (Fastener)	Square Head
SS (Fastener)	Stainless Steel
ST (Fastener)	Self-Tapping (Screw)
Term	Terminal
V	Volts
VLR	Very Low Restriction

NOTE: In some instances, combinations of abbreviations may be used (e.g. PPHMS - Phillips Pan Head Machine Screw).

ILLUSTRATED PARTS LIST

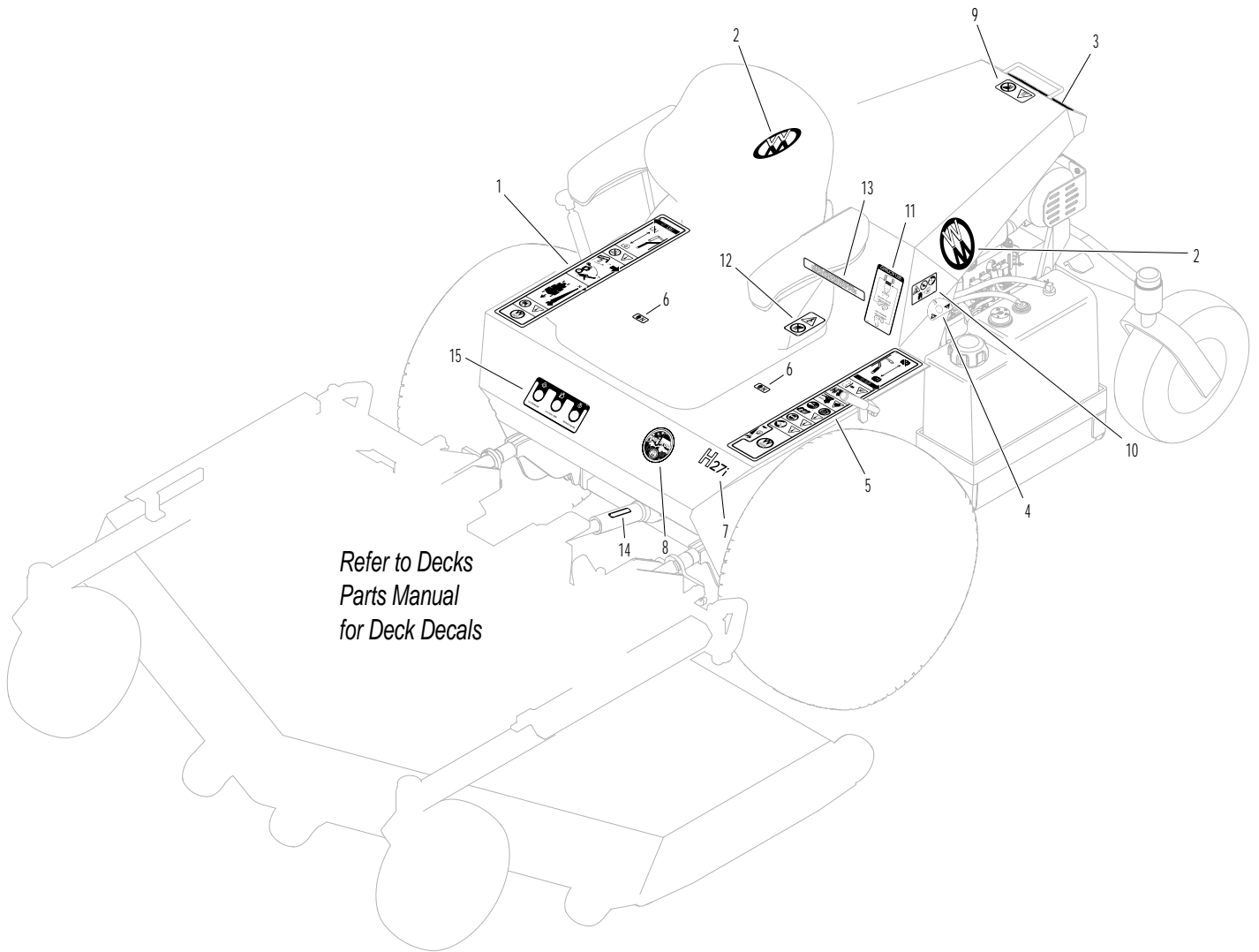
<i>Section of Tractor Covered</i>	<i>Page</i>	<i>Section of Tractor Covered</i>	<i>Page</i>
<hr/>		<hr/>	
Decals		Electrical Components	
Tractor Decals	2	Electrical Assembly	16
Body / Chassis Assemblies		Maintenance	
Front & Rear Body Assemblies	4	Lubrication Points	18
Chassis Assembly.....	6	Wiring Schematic.....	20
Tractor Components		Warranty	
Main Component Power Transmission	8	Limited Warranty	21
Engine Group.....	10		
Hydrostatic Ground Drive Assemblies.....	12		
Steering Control Assemblies.....	14		

TRACTOR DECALS

ITEM NO.	PART NO.	DESCRIPTION	LOCATION	NO. REQ'D SD
Walker Product and Operation Decals				
1	2802-4	RH Fender	Body, RH near Seat	1
2	5800	Decal, Walker Round (4")	Rear Body (one on each side)	2
3	5800-7	Decal, Walker (8")	Rear Body	1
4	2010-16	Fuel Transfer	Transfer Mount, LH	1
5	2802-5	LH Fender	Body, LH near Seat	1
6	9804-1	Axle Lockout	Hydro Mount Plate	2
7	8821-5	Decal, H27i	Body	1
8	5856-1	Made in USA	Body	1
Danger Decals Warning Decals Caution Decals				
9	8600-5	Caution, Engine Exhaust	Rear Body	1
10	8600-12	Danger, Engine Exhaust	Engine, LH Side	1
11	2107-5	Decal, Belt Routing	Rear Body, Underside	1
12	8600-2	Danger, Rotating Components	Coupling Guard	1
Maintenance Decals				
13	5855	Important, Engine Cooling	Engine	1
14	6875	PTO Alignment Arrow	Universal Joint Tube Assembly	1
15	2807-7	Decal, Systems Warning	Body	1

NOTE: All parts requiring decals are shipped with decals applied.

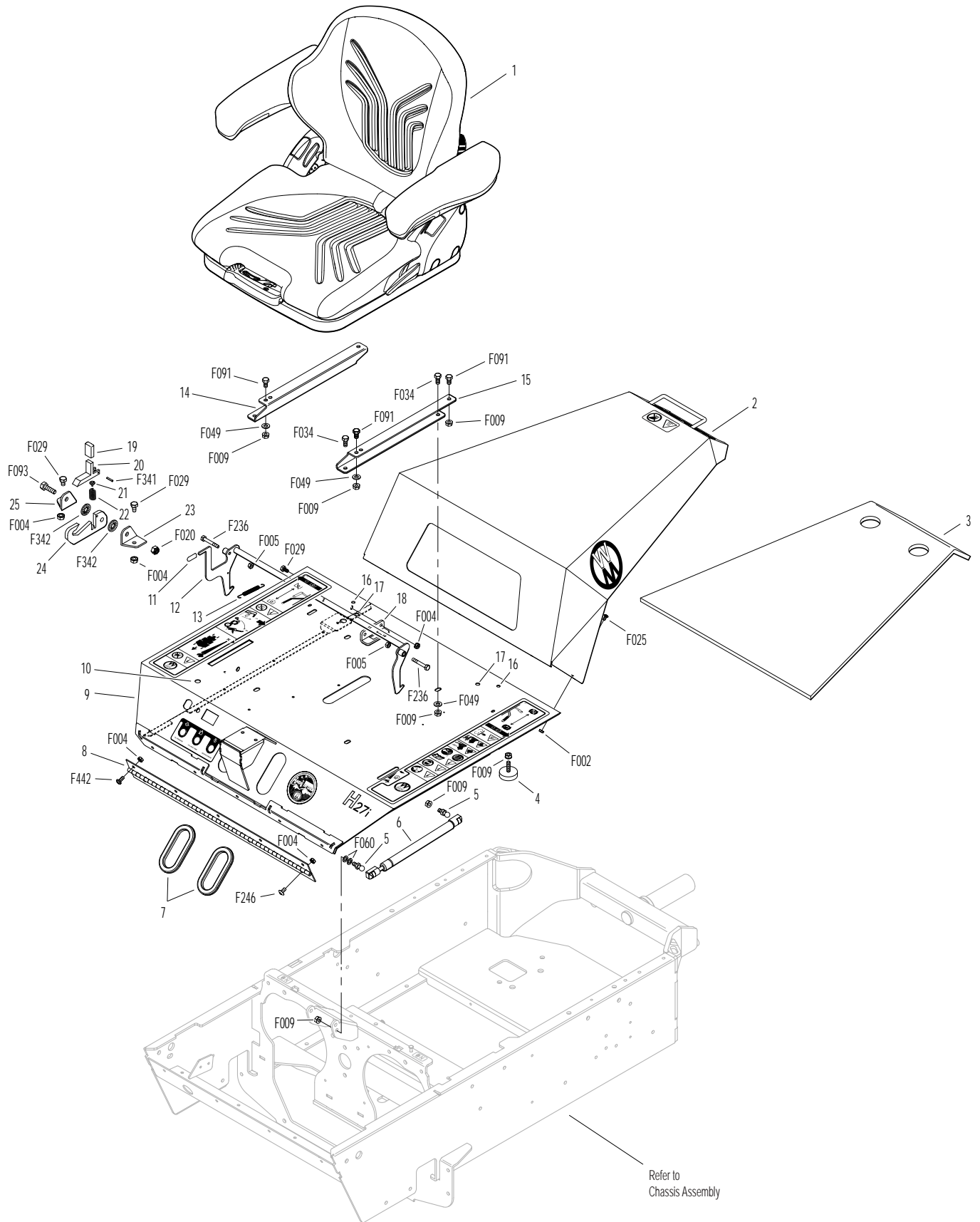
TRACTOR DECALS



FRONT & REAR BODY ASSEMBLIES

ITEM NO.	PART NO.	DESCRIPTION	NO. REQ'D	ITEM NO.	PART NO.	DESCRIPTION	NO. REQ'D
Body & Seat Assembly				Fasteners			
1	6103-14	Suspension Seat	1	F002		10-24 Keps Nut	5
2	2105-12	Rear Body (Includes Item # 3)	1	F004		1/4-20 Keps Nut	13
3	2190-1	Insulation Foam Pad	1	F005		1/4-20 ESNA Nut	2
4	7844	Rubber Bumper (1.25 x .250)	2	F009		5/16-18 Whiz Locknut	12
5	5146	10mm Ball Stud	2	F020		5/16-18 ESNA Nut	1
6	2145	Gas Spring	1	F025		10-24 x 3/8 PPHMS	5
7	5180	Edge Molding, Lever Opening	2	F029		1/4-20 x 1/2 Hex Bolt	4
8	2504-4	Hinge (22.5)	1	F034		5/16-18 x 3/4 Hex Bolt	4
9	2100-6	Front Body (Includes Item # 4)	1	F049		5/16 SAE Washer	4
10	5989-55	Dome Plug (1/2)	1	F060		AN960516 Washer	2
11	7854	Plastic Tip, Red	1	F091		5/16-18 x 5/8 Hex Bolt	4
12	2383	Body Latch Hook	1	F093		5/16-18 x 1 Hex Bolt	1
13	7222	Extension Spring (1/4 x 3)	1	F236		1/4-20 x 1-3/4 Hex Bolt	2
14	6103-44	Grammer Seat Mount Channel, RH	1	F246		1/4-20 x 1/2 PTHMS	4
15	6103-45	Grammer Seat Mount Channel, LH	1	F341		Coil Roll Pin (7/64 x 9/16)	1
16	5989-4	Dome Plug (3/8)	2	F342		5/16 Conical Washer	2
17	5989-3	Dome Plug (5/16)	2	F442		1/4-20 x 5/8 PTHMS	5
18	4102-1	Body Guide, Upper	1				
Tilt-Up Latch Assembly*				* Complete Tilt-Up Latch Assembly Kit available by ordering kit # 5747.			
19	5847	Plastic Tip	1				
20	5744-20	Spring Arm, Tilt-Up Latch	1				
21	5744-10	Spring Pivot Bushing	1				
22	5744-15	Compression Spring (3/8 x 5/8)	1				
23	5744-13	Mount Angle, LH	1				
24	5744-12	Hook, Tilt-Up Latch	1				
25	5744-14	Mount Angle, RH	1				

FRONT & REAR BODY ASSEMBLIES

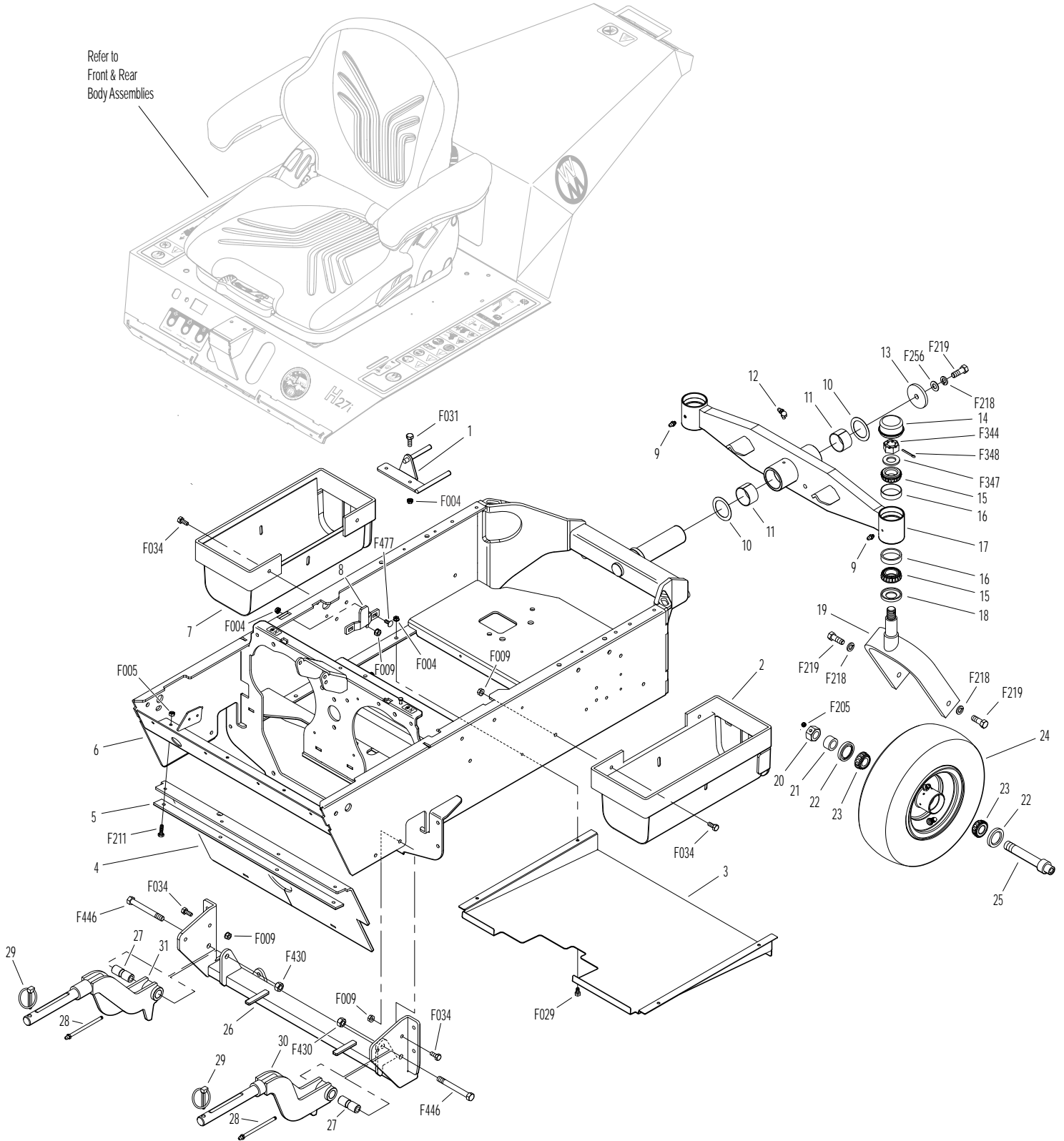


Beginning S/N 145275
 Use only genuine Walker® replacement parts.

CHASSIS ASSEMBLY

ITEM NO.	PART NO.	DESCRIPTION	NO. REQ'D	ITEM NO.	PART NO.	DESCRIPTION	NO. REQ'D
Chassis Assembly				Deck Support Arm & Hitch Assemblies			
1	2325-8	Belt Guide	1	26	2300-9	Deck Arm Support Mount	1
2	2046-1	Gas Tank Mount, LH	1	27	6840-1	Support Arm Bushing (2-1/16)	2
3	2301	Debris Shield (Includes Items # F004 & F029)	1	28	5830-1	5/16-24 4" Grease Fitting	2
4	2301-8	Debris Guard	1	29	2775	Lynch Pin (5/16 x 1-1/4)	2
5	2301-9	Back Up Plate	1	30	2431-2	Deck Support Arm, LH (Includes Item # 28)	1
6	2300-13	Chassis Frame	1	31	2430-2	Deck Support Arm, RH (Includes Item # 28)	1
7	2046	Gas Tank Mount	1	Fasteners			
8	4102-2	Body Guide, Lower	1	F004		1/4-20 Keps Nut	8
Tail Wheel Assembly				F005		1/4-20 ESNA Nut	4
9	5830	Grease Fitting	2	F009		5/16-18 Whiz Locknut	11
10	2201-2	Fiberglide Thrust Washer	2	F029		1/4-20 x 1/2 Hex Bolt	4
11	2201-3	Fiberglide Bearing (1-5/8)	2	F031		1/4-20 x 5/8 Hex Bolt	2
12	5830-4	Grease Fitting (90 Deg.)	1	F034		5/16-18 x 3/4 Hex Bolt	8
13	2201-4	Washer (2-1/4 x 7/16 x 1/4 Thk)	1	F205		5/16-18 x 1/4 Set Screw (Knurl Point)	2
14	8769-8	Dust Cap, Deck Caster	2	F211		1/4-20 x 7/8 Hex Bolt	4
15	8769-6	Bearing Cone (1" ID)	4	F218		7/16 Split Lock Washer	5
16	8769-5	Bearing Cup (2 x 1-5/8)	4	F219		7/16-14 x 1-1/4 Hex Bolt	5
17	2300-10	Tail Wheel Pivot (Includes Items # 9, 11 & 12)	1	F256		7/16 SAE Washer	1
18	8769-7	Seal	2	F344		3/4-16 Slotted Hex Nut	2
19	2770	Caster Wheel Fork	2	F347		3/4 SAE Washer	2
20	8039	Nut, Tail Wheel Axle	2	F348		1/8 x 1-1/2 Cotter Pin	2
21	8038-1	Spacer, Tail Wheel Axle (.750 ID x 1.125 OD)	2	F430		7/16-20 ESNA Nut	2
22	8768-2	Seal, Reverse Lip	4	F446		7/16-20 x 3-1/2 Grd 8 Bolt	2
23	8037	Bearing Cone (3/4 ID)	4	F477		1/4-20 x 5/8 Carriage Bolt	2
24	8035	Tail Wheel & Tire (13 x 5.00-6) (W/Bearing Race)	2				
25	7038	Tail Wheel Axle (3/4 x 5-9/16)	2				

CHASSIS ASSEMBLY



Beginning S/N 145275
Use only genuine Walker® replacement parts.

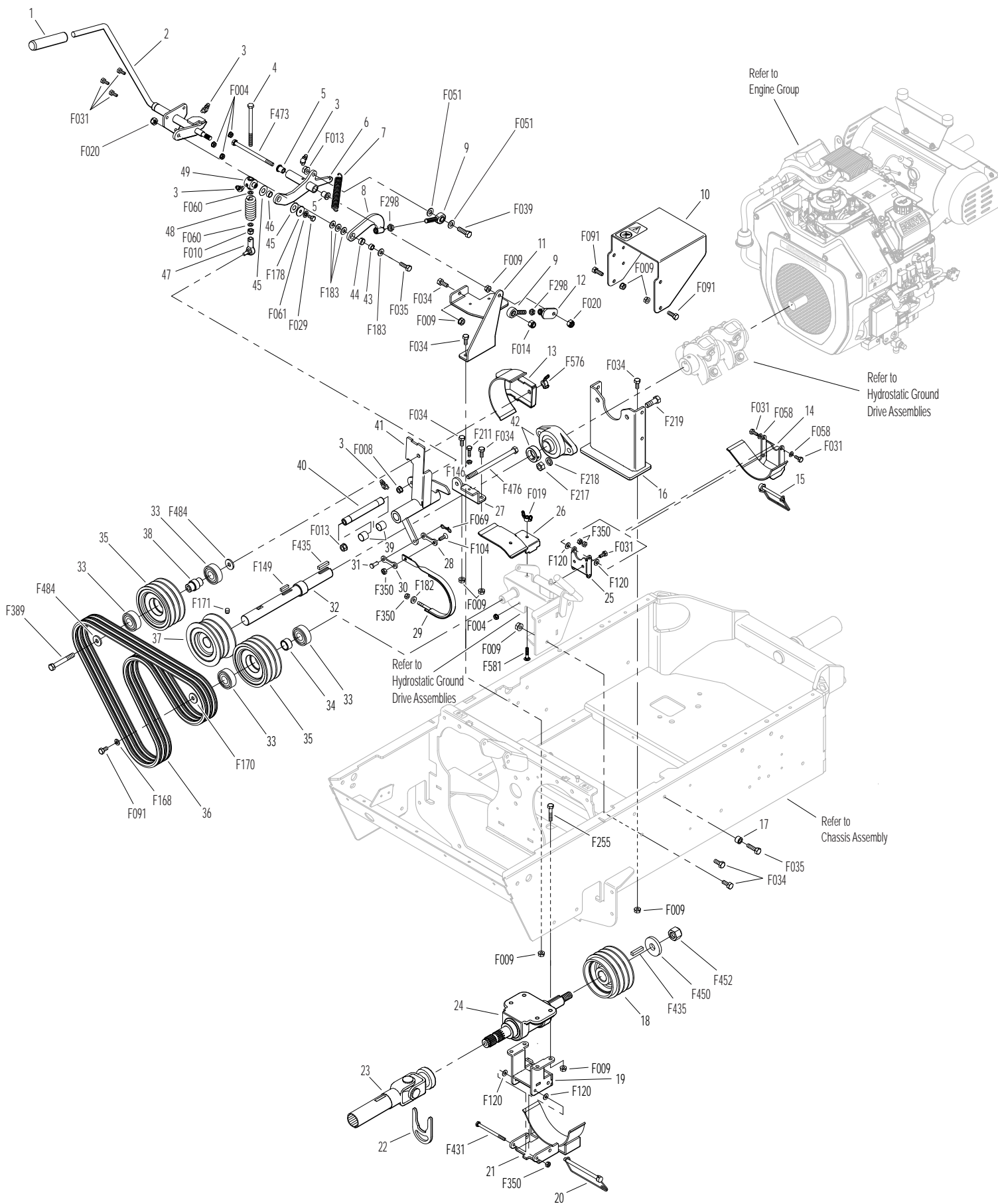
MAIN COMPONENT POWER TRANSMISSION

ITEM NO.	PART NO.	DESCRIPTION	NO. REQ'D	ITEM NO.	PART NO.	DESCRIPTION	NO. REQ'D
PTO Drive Assembly				Fasteners			
1	4850	Handle Grip, Black	1	F004		1/4-20 Keps Nut	4
2	2358-1	Clutch Lever, MBS (Includes Items # 1 & 3)	1	F008		5/16-24 Keps Nut	1
3	5830-3	Grease Fitting (45 Deg.)	4	F009		5/16-18 Whiz Locknut	17
4	4303-7	Clutch Actuator Bolt (5/16)	1	F010		5/16-24 ESNA Nut	1
5	2306-2	Oilite Flanged Bushing	2	F013		3/8-16 Whiz Locknut	2
6	2325-7	Clutch Arm (Includes Items # 3 & 5)	1	F014		3/8-16 ESNA Nut	1
7	5221-1	Extension Spring (3/4 x 5)	1	F019		1/4-20 ESNA Wing Nut	1
8	2358-11	Clutch Actuator	1	F020		5/16-18 ESNA Nut	2
9	5214-13	Ball Joint (3/8)	2	F029		1/4-20 x 1/2 Hex Bolt	1
10	2011-12	Flex Coupling Guard	1	F031		1/4-20 x 5/8 Hex Bolt	6
11	2358-9	Clutch Pivot Base	1	F034		5/16-18 x 3/4 Hex Bolt	9
12	2358-8	Adjustor Brace	1	F035		5/16-18 x 1-1/4 Hex Bolt	2
13	2302-16	Right Hand Shoe	1	F039		3/8-16 x 1-1/4 Hex Bolt	1
14	2302-3	Left Hand Shoe	1	F051		3/8 SAE Washer	2
15	7775-6	Wire Lock Pin (2-1/2")	1	F058		1/4 Wave Spring Washer	2
16	2349-7	Bearing Mount	1	F060		AN960516 Washer	2
17	2406-5	Spacer	1	F061		1/4 Star Lock Washer	1
18	2236-5	PTO Pulley (4.5/AAA)	1	F069		3/32 x 1/2 Cotter Pin	1
19	2359-1	Brake Band / Guard Mount	1	F091		5/16-18 x 5/8 Hex Bolt	5
20	7775-8	Wire Lock Pin (4")	1	F104		1/4-20 x 3/4 PFH Bolt	1
21	2302-5	PTO Shoe	1	F120		AN960416 Washer	4
22	7275-9	Quick Coupler Installation Tool	**	F146		1/4-20 Jam Nut	1
23	7275-16	Universal Joint Tube Assembly / Spline	1	F149		1/4 x 1/4 x 1-1/2 Key	1
24	2274-10	PTO Drive Shaft Assembly	*	F168		5/16 Split Lock Washer	1
25	2302-6	Shoe Mount, LH	1	F170		5/16 x 1 x 7/64 Flat Washer (Zinc Plate)	1
26	2302-17	Upper Shoe, LH	1	F171		5/16-18 x 3/8 Set Screw	1
27	2358-7	Clutch / Pivot Stop	1	F178		1/4 x 1 Fender Washer	1
28	4359-2	Brake Band Link, Rear	1	F182		1/4 x 5/8 x 1/8 Washer	1
29	8304	Brake Band (14-1/2)	1	F183		.312 x .700 x .074 Washer	4
30	4359-1	Brake Band Link, Front	1	F211		1/4-20 x 7/8 Hex Bolt	2
31	7523-2	Clevis Pin W/Hole (1/4 x 5/8)	1	F217		7/16-14 Hex Nut	2
32	2410-2	Drive Shaft	1	F218		7/16 Split Lock Washer	2
33	2265	Bearing (20mm)	4	F219		7/16-14 x 1-1/4 Hex Bolt	2
34	2406-7	Pivot Shaft Spacer	1	F255		5/16-18 x 1-1/2 Hex Bolt	4
35	2236-1	Idler Pulley (4.5/AAA)	2	F298		3/8-24 Jam Nut	2
36	2230	Engine PTO Belt / Set (3)	1	F350		1/4-20 LP Nylock	5
37	2236-6	Pulley (Includes Items # F149 & F171)	1	F389		3/8-16 x 2-3/4 Hex Bolt	1
38	2236-4	Idler Pulley Shaft	1	F431		1/4-20 x 3-1/2 Hex Bolt	1
39	7201-3	Fiberglide Bearing	2	F435		1/4 x 1/4 x 1-1/4 Key	2
40	7201-9	Inner Race	1	F450		Washer 5/8 x 1-3/4 x 1/4	1
41	2359-3	Clutch Idler Arm (Includes Items # 3 & 39)	1	F452		5/8-18 Nylon Locknut	1
42	2349-6	Flanged Bearing	1	F473		5/16-18 x 5 Hex Bolt	1
43	2358-12	Fiberglide Bushing	1	F476		3/8-16 x 6-1/2 Hex Bolt	1
44	7201-2	Fiberglide Bearing 1/2"	1	F484		Washer .380 ID x 1.0 OD x .120	2
45	7377	Plastic Washer (1 x .438 x .025)	2	F576		3/8-16 ESNA Wing Nut	1
46	7378	Pivot Bearing (7/16 x 9/16)	1	F581		1/4-20 x 1-1/4" Carriage Bolt	1
47	5214-2	Ball Joint (5/16-24) (Nylon Lined)	1				
48	7226	Compression Spring (3/4 x 2-1/2)	1				
49	7380	Knuckle Joint	1				

* Service Part Only

** The Quick Coupler Installation Tool is used to assist the installation of the Quick Coupler Tube and PTO Shaft connection by holding the disconnect ring in the retracted position when joined to the tractor spline shaft on the PTO Drive Shaft.

MAIN COMPONENT POWER TRANSMISSION



Beginning S/N 145275
Use only genuine Walker® replacement parts.

ENGINE GROUP

ITEM NO.	PART NO.	DESCRIPTION	NO. REQ'D	ITEM NO.	PART NO.	DESCRIPTION	NO. REQ'D
Fuel Tank Assembly				Precleaner Assembly			
1	5082-4	2-1/4 Ratchet Fuel Cap (EPA)	2	36	6029	Hose Clamp (1-3/4 to 2-1/4)	3
2	8055-2	Fuel Tank Gauge	2	37	2012-2	Air Intake Hose	1
3	8043-8	Roll Over Valve	2	38	7026-2	Remote Precleaner	1
4	5977-7	Roll Over Grommet (.900 x 1-1/2)	2	39	2088-10	Air Cleaner Assembly (Includes Items # 39-45)	*
5	5083-1	Bushing, Rubber (Fits 5083)	2	40	5091-2	Air Flow Indicator (Vacuum 10" H2O)	1
6	5083-8	Tank Tube (13")	2	41	5091-16	Street Elbow 90° (1/8 x 1/8)	1
7	5879-3	Hose Clamp (1/2)	7	42	5088-3	Air Cleaner Band	1
8	M111	Fuel Line (1/4 x 24")	1**	43	2090-3	Safety Filter Insert	1
9	M113	Fuel Line (3/16 x 9")	1**	44	2090-1	Air Cleaner Cartridge	1
10	M113	Fuel Line (3/16 x 12")	1**	45	2088-2	Air Cleaner Cap	1
11	7014-9	Fuel Filter	1	46	2090-2	Vacuator Valve	1
12	8043-6	Connector "Y"	1	Throttle Assembly			
13	M111	Fuel Line (1/4 x 26-1/2")	1**	47	2108-4	Control Cable (68")	1
14	5975-3	Cable Tie (50# x 7")	4	48	8123-3	Insultherm (3/8 x 10)	1
15	M113	Fuel Line (3/16 x 31")	1**	49	5108-1	Control Lever, Throttle / Choke	1
16	4010-1	Drain Valve 3/8-18 NPTF	1	50	5108-5	Throttle Control Knob, Red	1
17	2010-3	Fuel Valve	1	51	5108-11	Friction Washer (.062)	1
18	2010-43	Fuel Selector Valve Mount	1	52	7108	Control Assembly (Includes Items # 49, 51, 53-55 & F201)	1
19	M111	Fuel Line (1/4 x 11")	1**		2108-5	Throttle Control and Cable Assembly (Includes Items # 49-51, 53-56, F002, F005, F050, F164 & F201)	*
20	8055-1	Fuel Tank, 4.7 Gallon, Gas (Black) (Includes Items # 2-6, 21 & 22)	2	53	5108-8	Control Bracket	1
21	5086-7	Hose (1/4 x 6)	2	54	5108-10	Friction Washer (.125)	1
22	5020-2	Fuel Filter, In Tank	2	55	5108-7	Control Lock Tab	1
Remote Oil Cooler Assembly				56	5172	Bearing, Delrin (.255 ID x .379 OD x .250)	1
23	NS	Oil Cooler Hose (Kohler 24 326 130-S)	1	Fasteners			
24	NS	Oil Cooler Hose (Kohler 24 326 129-S)	1	F002	10-24 Keps Nut		7
25	NS	Clamp (Kohler 24-237-16-S)	4	F004	1/4-20 Keps Nut		4
26	NS	Oil Cooler (Kohler 24-594-42-S)	1	F005	1/4-20 ESNA Nut		1
27	8016-8	Oil Cooler / Reg Mount	1	F009	5/16-18 Whiz Locknut		4
Engine Assembly				F025	10-24 x 3/8 PPHMS		6
28	2104-1	Body Support	1	F031	1/4-20 x 5/8 Hex Bolt		4
29	4845	Rubber Bumper (1.0 x .625)	2	F034	5/16-18 x 3/4 Hex Bolt		2
30	NS	Kohler Nut	*	F050	1/4 SAE Washer		1
31	2013-4	Shield Side	2	F164	10-24 x 1/4 x 3/8 SHL Bolt		1
32	2013-3	Muffler Heat Shield	1	F175	1/2 Split Lock Washer		4
33	NS	Oxygen Sensor (Kohler 25 418 07-S)	1	F184	1/4-20 x 1/2 Hex Bolt, SS		4
34	NS	Muffler (Kohler 24 786 33-S)	*	F185	1/4 Internal Star Lock Washer, SS		4
35	NS	27 HP Engine, EFI (Pulse Pump) (Kohler, Spec. # ECH 749-3064)	*	F201	1/4 Belleville Spring Washer		2
				F439	1/2-13 x 1-3/4 Hex Bolt		4

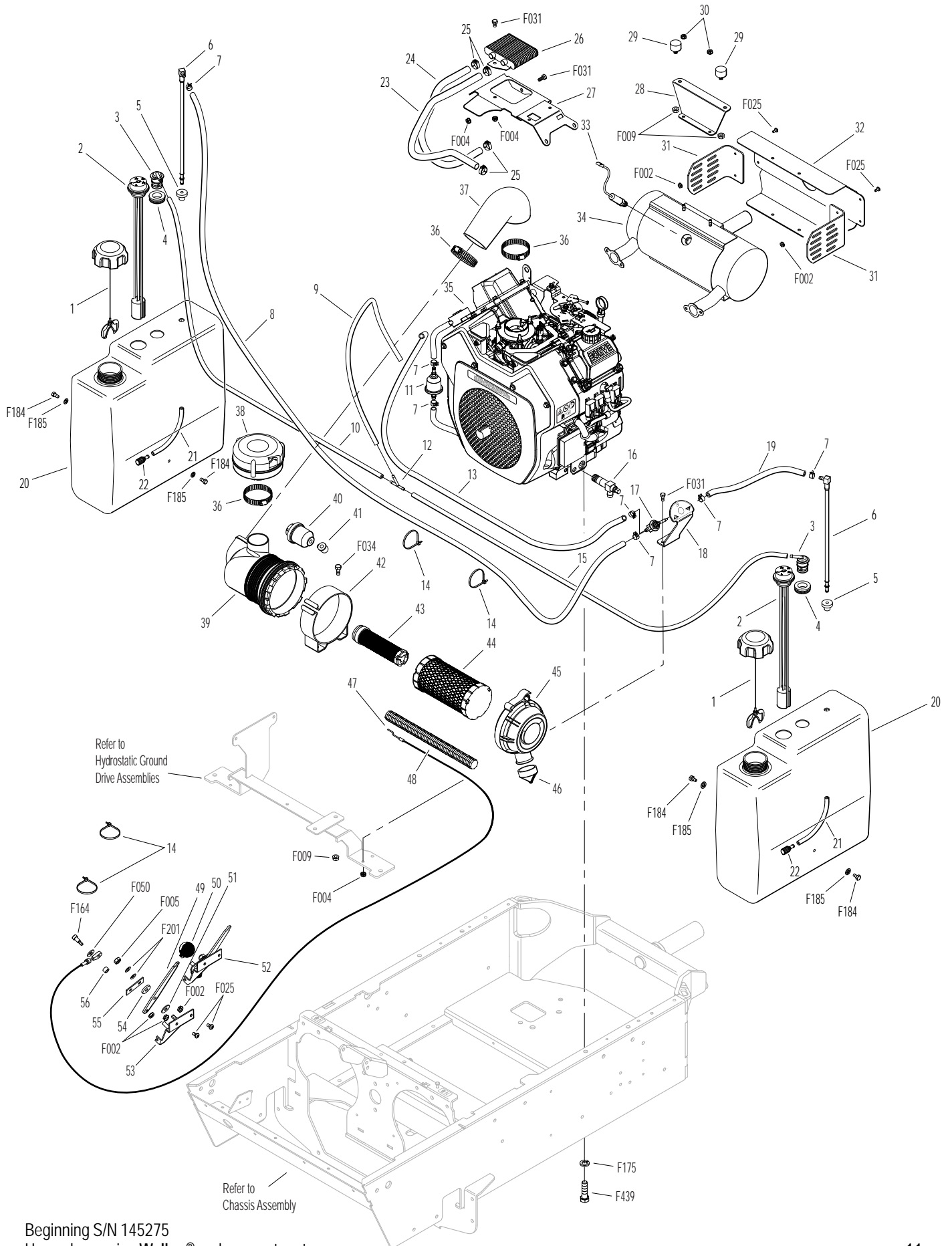
* Service Part Only

** **Required hose specifications:**

M111 - 1/4" ID fuel/oil/vapor hose (Gates 4219-0103 or equivalent)

M113 - 3/16" ID fuel/oil/vapor hose (Gates 4219-0093 or equivalent)

ENGINE GROUP

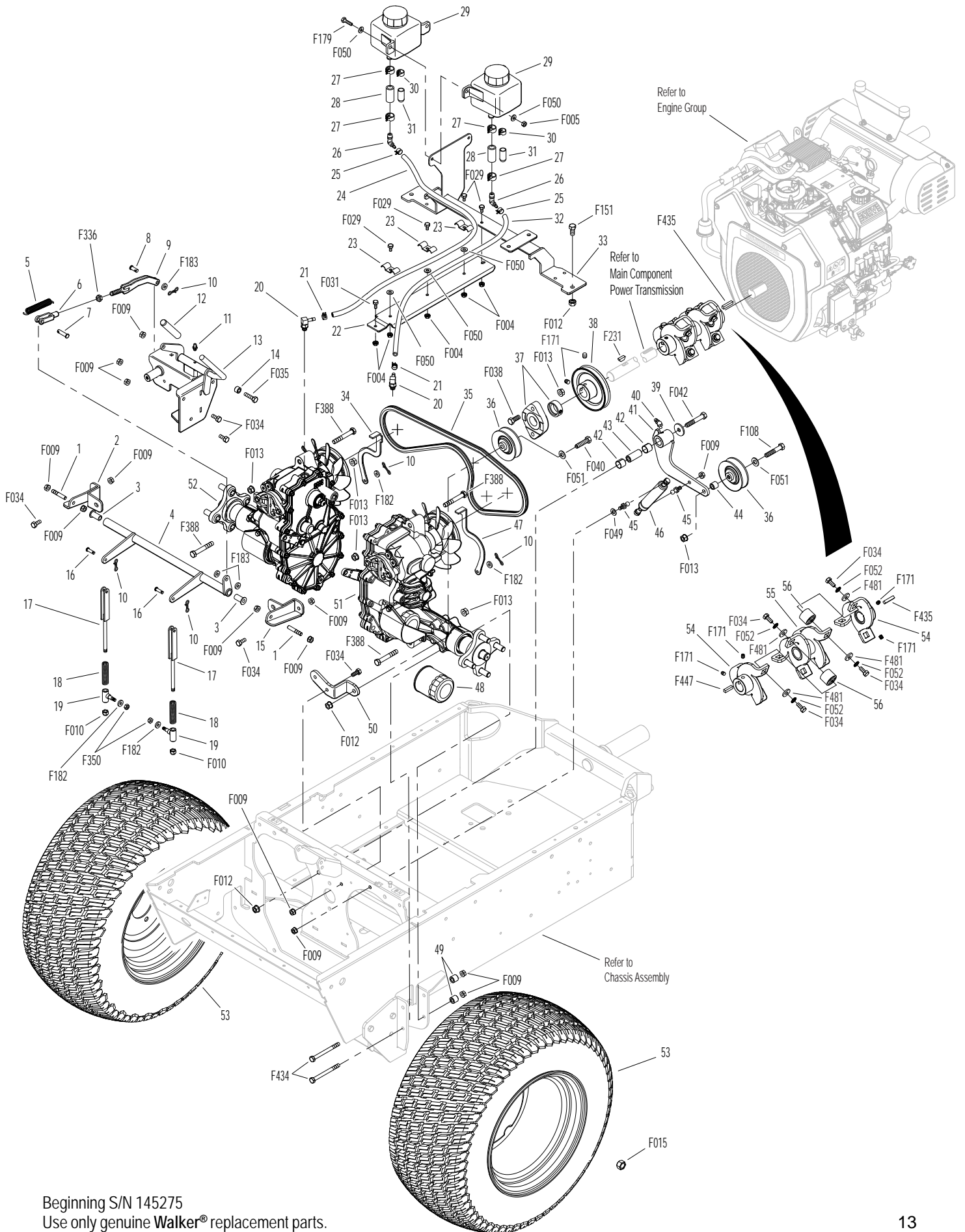


Beginning S/N 145275
 Use only genuine Walker® replacement parts.

HYDROSTATIC GROUND DRIVE ASSEMBLIES

ITEM NO.	PART NO.	DESCRIPTION	NO. REQ'D	ITEM NO.	PART NO.	DESCRIPTION	NO. REQ'D
Parking Brake Assembly				46	2215-6	Pressure Dampener	1
1	2358-6	5/16-18 x 1-3/4 Stud	2	47	2028-7	Lockout Arm, LH	1
2	2300-2	Parking Brake Hydro Mount, RH	1	48	2026-6	Hydro-Gear® Oil Filter (52114)	2
3	5103-2	Pivot Bushing (5/16 ID)	2	49	9430-1	Spacer Tube	4
4	2406-3	Parking Brake Actuator Tube	1	50	2349-15	Idler Mount	1
5	5222	Extension Spring (1/2 x 3-1/4)	1	51	2025-13	Hydro-Gear ZT3400, LH	1
6	2280	Clevis (3/8)	1	52	2026-13	Hydro-Gear ZT3400, RH	1
7	2406-4	Clevis Pin (5/16 x 1-1/8)	1	Wheel Assembly			
8	8655-4	Clevis Pin (5/16 x 3/4)	1	53	2071	Wheel & Tire (22 x 10.50-12)	2
9	2406-1	Brake Actuator Pull	1	PTO Coupler			
10	4407-4	Bow Tie Cotter Pin	5	54	2351-3	Flex Coupler Half (Includes Items # F171 & F435)	2
11	5830	Grease Fitting	1	55	2351-7	Inner Flex Coupler Half / MBS (1/4)	1
12	7406-1	Handle Grip, Red	1	56	2351-1	Rubber Iso Coupler	6
13	2406-13	Parking Brake Idler Mount (Includes Items # 11 & 12)	1	Fasteners			
14	2406-5	Spacer	1	F004	1/4-20 Keps Nut		5
15	2300-1	Parking Brake Hydro Mount, LH	1	F005	1/4-20 ESNA Nut		2
16	5281-5	Clevis Pin (1/4 x 0.80)	2	F009	5/16-18 Whiz Locknut		17
17	2406-10	Parking Brake Rod	2	F010	5/16-24 ESNA Nut		2
18	5665-1	Compression Spring (2-1/2)	2	F012	3/8-16 Keps Nut		4
19	5463	Steering Lever Actuator	2	F013	3/8-16 Whiz Locknut		7
Transaxle Reservoir Assemblies				F015	1/2-20 Wheel Lug Nut		8
20	2025-17	Straight Thread Hose Fitting	2	F029	1/4-20 x 1/2 Hex Bolt		4
21	5879-4	Hose Clamp (7/16)	2	F031	1/4-20 x 5/8 Hex Bolt		1
22	2025-14	Hose Channel	1	F034	5/16-18 x 3/4 Hex Bolt		18
23	6836-1	Clamp, Double (1/2 x 1/2)	3	F035	5/16-18 x 1-1/4 Hex Bolt		1
24	5086-14	Hose (1/4 x 26-1/4")	1	F038	3/8-16 x 1 Hex Bolt		2
25	5879-3	Hose Clamp (1/2)	2	F040	3/8-16 x 1-1/2 Hex Bolt		1
26	4025-3	Elbow (1/4 x 1/2)	2	F042	3/8-16 x 2-1/4 Hex Bolt		1
27	5879-8	Hose Clamp (13/16)	4	F049	5/16 SAE Washer		1
28	5087-1	Hose (1/2 x 1-3/4)	2	F050	1/4 SAE Washer		7
29	2025-1	Oil Expansion Reservoir	2	F051	3/8 SAE Washer		2
30	5879-7	Hose Clamp (5/8)	2	F052	5/16 Ext. Star Lock Washer		12
31	2025-8	Reservoir Bottom Caps	2	F108	3/8-16 x 2 Hex Bolt		1
32	5086-15	Hose (1/4 x 23)	1	F151	3/8-16 x 7/8 Hex Bolt		2
33	2025-0	Reservoir Bottle Mount	1	F171	5/16-18 x 3/8 Set Screw		6
Ground Drive Assemblies				F179	1/4-20 x 1 Hex Bolt		2
34	2028-8	Lockout Arm, RH	1	F182	1/4 x 5/8 x 1/8 Washer		4
35	2248-1	Ground Drive Belt / Kevlar	1	F183	.312 x .700 x .074 Washer		3
36	4245	Idler Pulley (3/A)	2	F231	1/4 x 3/4 Woodruff Key (#806)		1
37	4349-12	Flanged Bearing (1")	1	F336	3/8-16 Jam Nut		1
38	2240-2	Drive Pulley (Includes Item # F171)	1	F350	1/4-20 LP Nylock		2
39	5841	Retainer Washer (3/8 x 1-1/4)	1	F388	3/8-16 x 2-1/2 Hex Bolt		4
40	5830-3	Grease Fitting (45 Deg.)	1	F434	5/16-18 x 3-1/2 Hex Bolt		4
41	2349-14	Transmission Belt Tensioner (Includes Items # 40 & 42)	1	F435	1/4 x 1/4 x 1-1/4 Key		1
42	7201-3	Fiberglide Bearing	2	F447	1/4 x 1/4 x 1 Key		1
43	7201-4	Inner Race (1-1/2)	1	F481	Washer 5/16 x 1 x .125		12
44	6325-3	Spacer Bushing (9/16)	1				
45	5146	10mm Ball Stud	2				

HYDROSTATIC GROUND DRIVE ASSEMBLIES



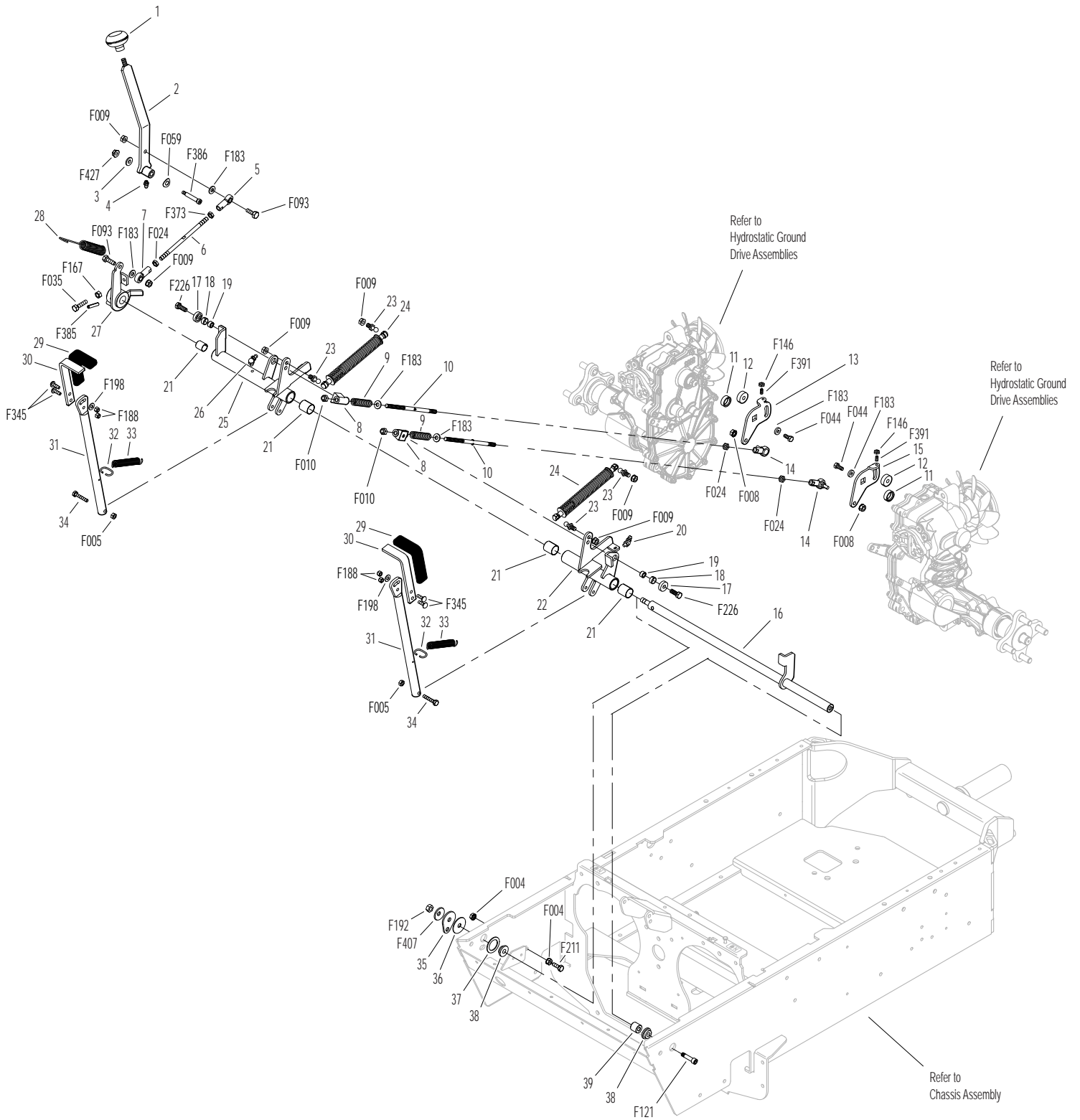
Beginning S/N 145275
Use only genuine Walker® replacement parts.

STEERING CONTROL ASSEMBLIES

ITEM NO.	PART NO.	DESCRIPTION	NO. REQ'D	ITEM NO.	PART NO.	DESCRIPTION	NO. REQ'D
Steering Lever & FSC Assemblies				Fasteners			
1	5862	FSC Knob	1	F004	1/4-20 Keps Nut		2
2	4170	FSC Lever Assembly (Includes Item # 4)	*	F005	1/4-20 ESNA Nut		2
3	2170-1	Step Washer	1	F008	5/16-24 Keps Nut		2
4	5830	Grease Fitting	1	F009	5/16-18 Whiz Locknut		6
5	5214-5	Ball Joint (5/16-24/LH) W/O Stud	1	F010	5/16-24 ESNA Nut		2
6	4213	Control Rod (6-1/4)	1	F024	5/16-24 Jam Nut		3
7	5214-4	Ball Joint (5/16-24) W/O Stud	1	F035	5/16-18 x 1-1/4 Hex Bolt		1
8	5463-4	Steering Lever Actuator	2	F044	5/16-24 x 3/4 Hex Bolt		2
9	5665-1	Compression Spring (2-1/2)	2	F059	3/8 Wave Spring Washer		1
10	2213	Control Rod (7")	2	F093	5/16-18 x 1 Hex Bolt		2
11	2212-3	Seal Retainer	2	F121	5/16-18 x 3/8 x 1 SHL Bolt		1
12	2212	Transmission Control Arm Stop	2	F146	1/4-20 Jam Nut		2
13	2212-2	Transmission Control Arm, RH	1	F167	5/16-18 Hex Nut		1
14	5214-2	Ball Joint (5/16-24) (Nylon Lined)	2	F183	.312 x .700 x .074 Washer		6
15	2212-1	Transmission Control Arm, LH	1	F188	1/4-20 Self-Locking Nut		4
16	2451-1	Steering Pivot Shaft With Stop	1	F192	3/8-24 Self-Locking Nut		1
17	5463-6	Washer (5/16 x 3/4 x .250)	2	F198	.250 x .625 x .040 Washer, SS		2
18	7201-2	Fiberglide Bearing (1/2")	2	F211	1/4-20 x 7/8 Hex Bolt		1
19	5463-5	Steering Arm Pivot Bushing (SS)	2	F226	5/16-18 x 7/8 Hex Bolt		2
20	5830-3	Grease Fitting (45 Degree)	1	F345	1/4-20 x .770 Knurled Bolt		4
21	8201-3	Fiberglide Bearing	4	F373	5/16-24 Hex Nut, LH		1
22	2451-7	Speed Control Actuator, LH (Includes Items # 20 & 21)	1	F385	1/4 x 1-1/4 Roll Pin		1
23	5146	10mm Ball Stud	4	F386	5/16-18 x 1-1/2 x 3/8 Shoulder Bolt		1
24	4199-2	Steering Lever Dampener Assembly	2	F391	1/4-20 x 1/2 Set Screw, SS		2
25	2451-8	Speed Control Actuator, RH (Includes Items # 21 & 26)	1	F407	Belleville Washer 3/8 x 1.187, SS		1
26	5830-4	Grease Fitting (90 Deg.)	1	F427	5/16-18 Flange Nut		1
27	4451-4	FSC Friction Actuator	1				
28	4219	Extension Spring (3/4 x 6-1/2)	1				
29	5850-2	Handle Grip, Foam (5-1/2)	2				
30	5453-20	Steering Lever Handle (+1") Adjustable / SS (Includes Items # 29, F188, F198 & F345)	2				
31	4452-4	Steering Lever Tube W/Tab	2				
32	5450	D-Clip	2				
33	5222	Extension Spring (1/2 x 3-1/4)	2				
34	4452-6	Steering Pivot (1/4-20 x 1-5/8)	2				
35	4142-1	FSC Cam	1				
36	5141	FSC Friction Washer (1-1/2 x 3/8 x 1/16)	1				
37	4142-2	FSC Friction Washer (1-1/2 x 1-1/32 x 1/16)	1				
38	9704-3	Pivot Rod Bushing, Plastic	2				
39	2451-4	Steering Shaft Spacer	1				

* Service Part Only

STEERING CONTROL ASSEMBLIES

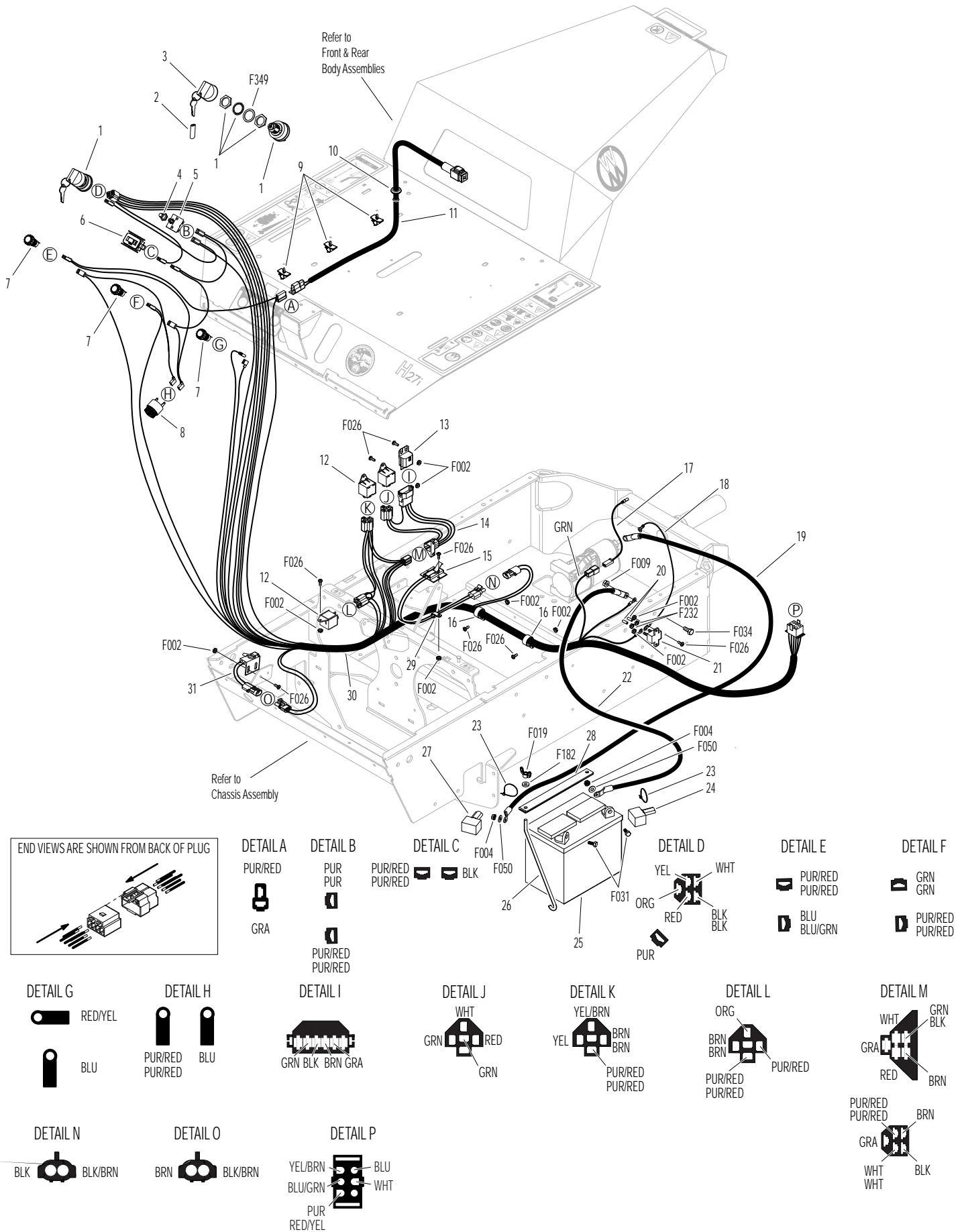


Beginning S/N 145275
 Use only genuine Walker® replacement parts.

ELECTRICAL ASSEMBLY

ITEM NO.	PART NO.	DESCRIPTION	NO. REQ'D	ITEM NO.	PART NO.	DESCRIPTION	NO. REQ'D
Electrical Assembly				22	2940-3	Battery Cable (14")	1
1	8960-15	Ignition Switch W/Keys (Includes Items # 2, 3 & F349)	1	23	5975-1	Cable Tie (18# x 3-3/4")	2
2	7854	Plastic Tip, Red	1	24	5932	Battery Terminal Insl., Blk (-)	1
3	8960-3	Key Set W/Umbrella	1	25	NS	Battery (12V/340CCA/Dry)	1
4	7941-3	Boot, Circuit Breaker	1	26	5839	Hook Bolt	2
5	7941-7	Circuit Breaker (20 Amp)	1	27	5933	Battery Terminal Insl., Red (+)	1
6	8990-1	Hourmeter (Global)	1	28	5844	Battery Hold-Down Bar	1
7	8996-9	Red Indicator Light Assembly	3	29	5833	Cable Clamp (1/4)	1
8	8536-2	Warning Horn Assembly	1	30	2940-13	Wire Harness, MH	1
9	6105-3	Harness Clip	3	31	5942-4	Safety Switch (NO)	1
10	5977-3	Grommet (9/16)	1	Fasteners			
11	2103-8	Adapter Harness	1	F002	10-24 Keps Nut		13
12	6942	Relay Switch 20/40 Amp (NC)	3	F004	1/4-20 Keps Nut		2
13	7948-6	Time Delay Module (.5 Second Delay)	1	F009	5/16-18 Whiz Locknut		1
14	7948-5	Time Delay Harness	1	F019	1/4-20 ESNA Wing Nut		2
15	5941-2	Safety Switch (NO)	1	F026	10-24 x 1/2 PPHMS		13
16	7833-2	Cable Clamp (1 x 1/4)	2	F031	1/4-20 x 5/8 Hex Bolt		2
17	2940-16	Wire Extension	1	F034	5/16-18 x 3/4 Hex Bolt		1
18	7938	Lead Wire, Battery Charge (Alternator to Starter)	1	F050	1/4 SAE Washer		2
19	2940-2	Battery Cable (22")	1	F182	1/4 x 5/8 x 1/8 Washer		2
20	8404-8	Plastic Cover, Red	2	F232	10-32 Keps Nut		2
21	8941	Circuit Breaker (30 Amp) (Auto Reset/Sealed)	1	F349	Washer .835 ID 1.122 OD, SS		1

ELECTRICAL ASSEMBLY

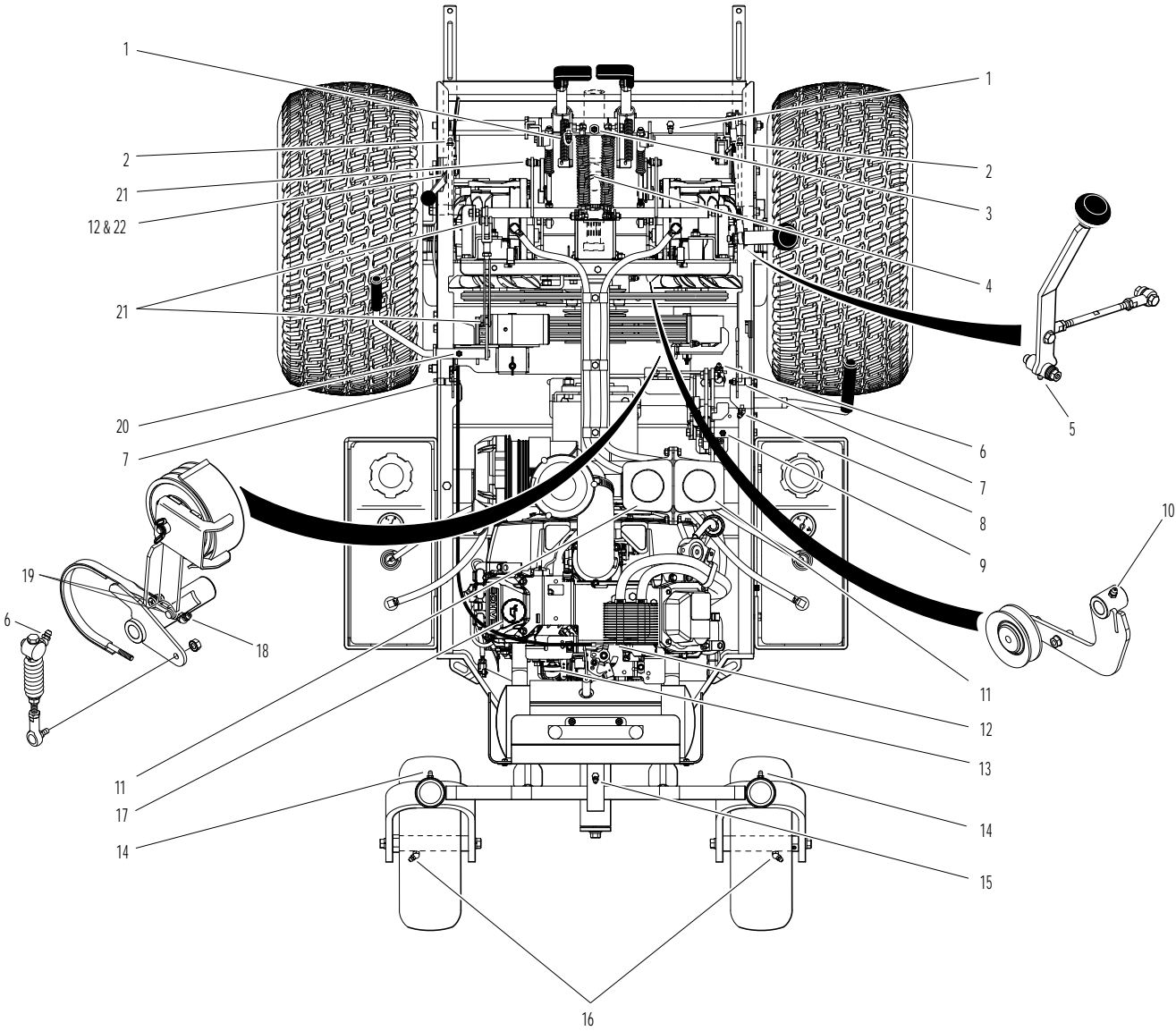


Beginning S/N 145275
Use only genuine Walker® replacement parts.

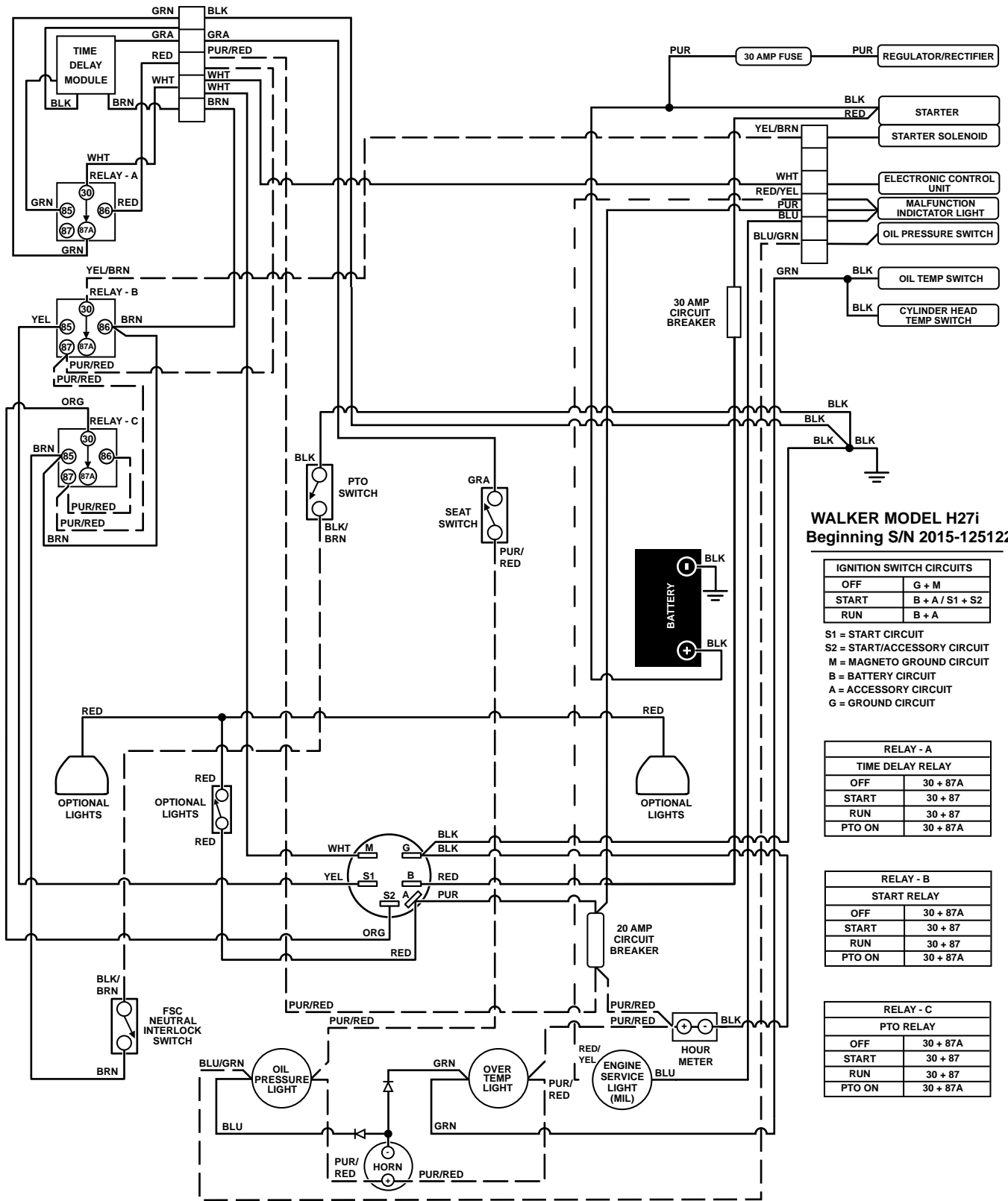
LUBRICATION POINTS

ITEM NO.	LOCATION	LUBRICATION TYPE	NO. PLACES	ITEM NO.	LOCATION	LUBRICATION TYPE	NO. PLACES
Lubrication Points							
1	Steering Lever Pivot	Grease	2	15	Rear Axle Pivot	Grease	1
2	Deck Support Arm Pivot	Grease	2	16	Rear Wheel Bearing	Grease	2
3	Deck-to-PTO Coupling (Grease Spline Slide Area)	Grease	1	17	Engine / Oil Filler	Oil**	1
4	Universal Joint Tube Assembly	Grease*	1	18	PTO Belt Tightener Pivot	Grease	1
5	FSC Lever Pivot	Grease	1	19	Brake Band Pivot Pins (Clevis)	Oil	2
6	Clutch Actuator Push Rod	Grease	1	20	Parking Brake Pivot	Grease	1
7	Body Latch Pivot	Oil	2	21	Parking Brake Clevis	Oil	3
8	PTO Clutch Lever Pivot	Grease	1	22	Throttle Control Pivot	Oil	1
9	Clutch Arm Pivot	Grease	1				
10	Hydro Idler Arm Pivot	Grease	1	* Grease every 25 hours.			
11	Transaxle Oil Reservoir	Oil	2	** Refer to H27i Operator's Manual for procedure for checking and changing oil in Engine Crankcase.			
12	Throttle Control Cable Ends	Oil	2	NOTE: See Model H27i Operator's Manual (P/N 2000-19) for proper lubrication intervals.			
13	Engine Dipstick	Oil**	1				
14	Tail Wheel Caster Fork Pivot	Grease	2				

LUBRICATION POINTS



WIRING SCHEMATIC



WALKER MODEL H27i Beginning S/N 2015-125122

IGNITION SWITCH CIRCUITS	
OFF	G + M
START	B + A / S1 + S2
RUN	B + A

S1 = START CIRCUIT
 S2 = START/ACCESSORY CIRCUIT
 M = MAGNETO GROUND CIRCUIT
 B = BATTERY CIRCUIT
 A = ACCESSORY CIRCUIT
 G = GROUND CIRCUIT

RELAY - A	
TIME DELAY RELAY	
OFF	30 + 87A
START	30 + 87
RUN	30 + 87
PTO ON	30 + 87A

RELAY - B	
START RELAY	
OFF	30 + 87A
START	30 + 87
RUN	30 + 87
PTO ON	30 + 87A

RELAY - C	
PTO RELAY	
OFF	30 + 87A
START	30 + 87
RUN	30 + 87
PTO ON	30 + 87A

LIMITED WARRANTY FOR WALKER MODEL H27i RIDER MOWER

1. WHAT THIS WARRANTY COVERS, AND FOR HOW LONG:

Walker Manufacturing company will, at its option, repair or replace, without charge, any part covered by this warranty which is found to be defective in material and/or workmanship within one (1) year* after date of sale to the original retail purchaser unless the product is used for rental purposes, in which case this warranty is limited to ninety (90) days. At Walker's request, customer will make the defective part available for inspection by Walker and/or return the defective part to Walker, transportation charges prepaid. All parts and components of the Walker Mower are covered by this warranty **except** the following components which are warranted separately by their respective manufacturers:

Kohler Engine
Battery

The available warranties covering these items are furnished with each mower. Walker does not assume any warranty obligation, liability or modification for these items, which are covered exclusively by the stated warranty of the respective manufacturers noted above.

* A three (3) year or 3000 hour (whichever comes first) warranty is offered for Hydro-Gear ZT3400 hydrostatic transmissions; covers full cost of replacement up to 1000 hours of use, and after 1000 hours warranty coverage is prorated against 3000 hours.

2. WHAT THIS WARRANTY DOES NOT COVER:

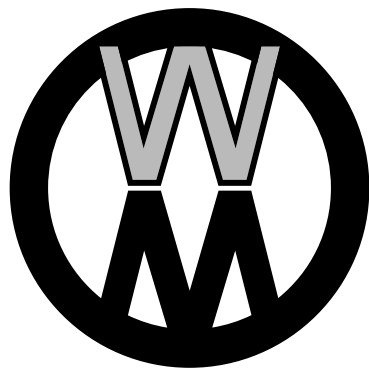
- A. This warranty does not cover defects caused by depreciation or damage caused by normal wear, accidents, improper maintenance, improper use or abuse of the product, alterations, or failure to follow the instructions contained in the Operator's Manual for operation and maintenance.
- B. The customer shall pay any charges for making service calls and/or for transporting the mower to and from the place where the inspection and/or warranty work is performed.

3. HOW TO OBTAIN SERVICE UNDER THIS WARRANTY:

Warranty service can be arranged by contacting the dealer where you purchased the mower or by contacting Walker Manufacturing Company, 5925 East Harmony Road, Ft. Collins, CO 80528. Proof of the date of purchase may be required to verify warranty coverage.

4. WARRANTY LIMITATION:

- A. **THERE IS NO OTHER EXPRESS WARRANTY. ANY WARRANTY THAT MAY BE IMPLIED FROM THIS PURCHASE INCLUDING MERCHANTABILITY AND FITNESS FOR A PARTICULAR PURPOSE IS HEREBY LIMITED TO THE DURATION OF THIS WARRANTY AND TO THE EXTENT PERMITTED BY LAW ANY AND ALL IMPLIED WARRANTIES ARE EXCLUDED.** Some states do not allow limitations on how long an implied warranty lasts, so the above limitations may not apply to you.
- B. **WALKER WILL NOT BE LIABLE FOR ANY INCIDENTAL, CONSEQUENTIAL, OR SPECIAL DAMAGES AND/OR EXPENSES IN CONNECTION WITH THE PURCHASE OR USE OF THE MOWER.** Some states do not allow the exclusion or limitation of incidental or consequential damages, so the above limitation(s) or exclusion(s) may not apply to you.
- C. Only the warranty expressed in this limited warranty shall apply and no dealer, distributor, or individual is authorized to amend, modify, or extend this warranty in any way. Accordingly, additional statements such as dealer advertising or presentations, whether oral or written, do not constitute warranties by Walker, and should not be relied upon.
- D. This warranty gives you specific legal rights, and you may also have other rights which vary from state to state.



WALKER

WALKER MFG. CO. • 5925 E. HARMONY ROAD, FORT COLLINS, CO 80528 • (970) 221-5614
FORM NO. 022018 PRINTED IN USA www.walkermowers.com ©2018 WALKER MFG. CO