



WALKER

A10 Dethatcher Attachment Operator's Manual

Assembly, Attaching, Removing, Maintenance and Operation
Compatible with decks: 36", 42", 48" and 52"



Please Read and Save These Instructions
For Safety, Read All Assembly and Operation Instructions
Prior to Operating Attachment

Beginning S/N: 15-20204
Effective Date: 03/23/15
P/N: 6605-7



Foreword

Thank you. . .for purchasing a Walker Dethatcher Attachment. Every effort has been made to provide you with the most reliable machine on the market, and we are sure you will be among our many satisfied customers. If for any reason this product does not perform to your expectations, please contact your local dealer. Every customer is important to us. Your satisfaction is our goal.

Please. . .read this manual thoroughly! Before you operate your machine, please read this entire manual. Some of the information is crucial for proper operation - it will help protect your investment and ensure that the machine performs to your satisfaction. Some of the information is important to your safety, and must be read and understood to help prevent possible injury to the operator or others. If anything in this manual is confusing or hard to understand, please contact your local authorized dealer or call our service department, at (970) 221-5614, for clarification before operating or servicing this machine.

All shields and guards must be in place for the proper and safe operation of this machine. Where they are shown removed in this manual, it is for illustration purposes only. **Do not operate this machine unless all shields and guards are in place.**

Walker Mfg. Co. is continually striving to improve the design and performance of its products. We reserve the right to make changes in specifications and design without thereby incurring any obligation relative to previously manufactured products.

Sincerely,
WALKER MANUFACTURING COMPANY

A handwritten signature in black ink that reads "Bob Walker". The signature is written in a cursive, flowing style.

Bob Walker, President

Table of Contents:

Assembly	1
Attaching Dethatcher	2
Operation	4
Maintenance	6
Parts List/Diagram	7
Warranty	12

Dethatcher Assembly

The Walker Lawn Dethatcher will effectively dislodge excessive thatch from your lawn. Thatch is a layer of stems, clippings, runners, roots, and leaves that have not decayed. Excessive thatch prevents air, water, and fertilizer from reaching the roots. These instructions will help ensure proper assembly and operation.

1. Assemble tine tray mounting brackets both LH and RH to the tine tray as shown in the Parts Diagram, using fasteners listed. **FINGER TIGHTEN ONLY.**
2. Attach the tines to the tine tray finger tight, as shown in the Parts Diagram. It is important to be sure the loop between the tine coils nests around the hardware on the tine tray. After all tines are installed, tighten the tine mounting hardware.
3. Insert safety rods through the coils of the tines as shown in the Parts Diagram. Secure by bending the end of the rod 1-1/2" to 2" from the end to prevent them from slipping back through the tines. The safety rod must be free to move slightly from side to side.

Warning

Failure to install the safety rods can result in personal injury if a tine should disengage from the tine tray.

4. Mount the carrier frame assembly to the insides of the tray mounting bracket as shown in the Parts Diagram; **FINGER TIGHTEN ONLY.** Now tighten the tray mounting brackets to the tine tray.
5. Attach the lift lever to the carrier frame and tighten hardware.
6. Attach trigger assembly to the lift lever handle and tighten. Lift lever should move freely.
7. Install the caster wheel mounts to the tine tray as shown in the Parts Diagram and tighten.
8. Install the caster fork assembly into the caster wheel mount as show. Be sure to install the shock washer and three (3) spacers before installing the caster fork. Now install the remaining three (3) spacers at the top of the caster fork and install the lynch pin. Use this as a starting point for the spacer location.

Attaching Dethatcher

1. Select a smooth, flat surface such as a driveway, sidewalk, garage floor, etc. It is a simple procedure for attachment, with no tools required.
2. Hook the rear legs of the dethatcher under the front of the deck carrier frame as shown in figure 1.1, and slide the channel mounts out to the deck carrier frame arms.

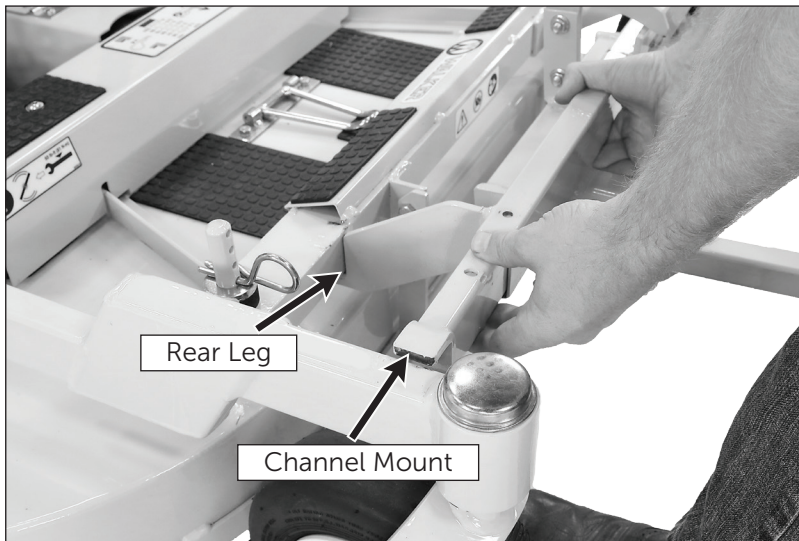


Figure 1.1

3. Once the channel mounts are attached to the carrier frame arms, install the lock pins as shown (figure 1.2).



Figure 1.2

4. With the attachment mounted and on a level surface, loosen the four (4) nuts on the sides of the tray mounting brackets (figure 1.3). Adjust the tine tray so it is level, and the tine ends are located approximately 1/2" above the flat surface (figure 1.4). The tines should touch the surface when pushed back. Tighten the four (4) nuts.

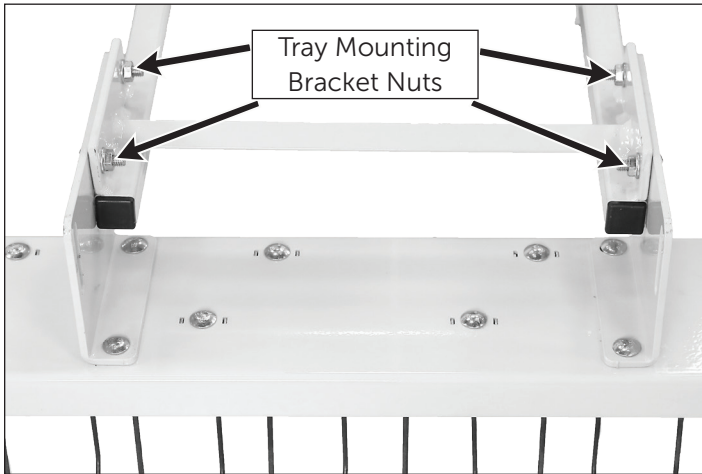


Figure 1.3

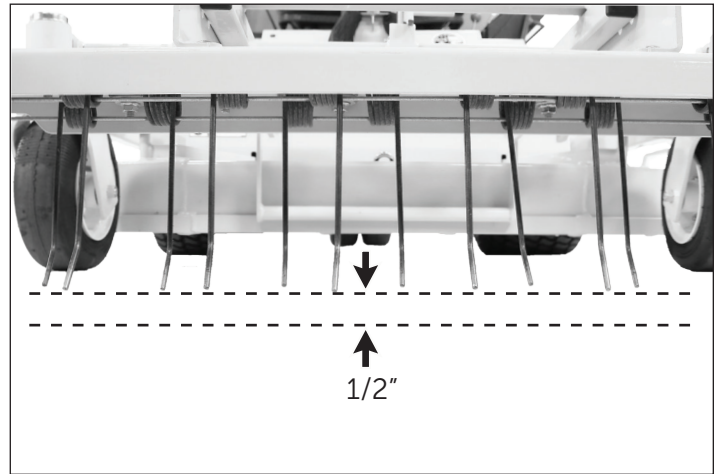


Figure 1.4

5. To remove the dethatcher, reverse the installation process.

Operation

TINE ACTION

Grass should be less than 3" tall for proper tine action. When in use, all tines should deflect back independently and "flip" the thatch forward as illustrated. If the tines drag without flipping forward, the tine tray is too low and needs to be raised. If all the tines remain in the free position, the tine tray is too high and needs to be lowered. Make these adjustments properly up or down by relocating the spacers on the caster wheel fork. Each spacer will give 1/8" of adjustment.

- To raise the tine tray, remove the linch pin and move spacers from the top of the caster fork and place them on the bottom.
- To lower the tine tray, remove spacers from the bottom of the caster fork, and place them on the top of the caster fork. Make these spacer changes until the proper results are achieved.

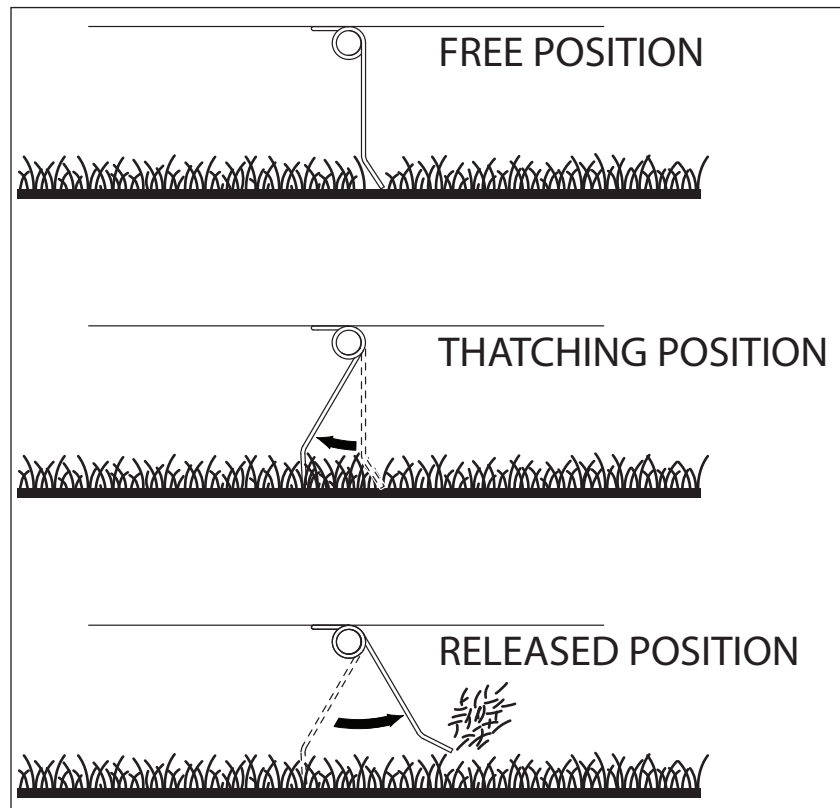


Figure 2.1

The dethatcher can be raised or lowered to engage, or disengage, the tines as desired.

To engage the dethatcher:

- Pull back on the lever handle. While holding the foot trigger, lower the dethatcher into position (figure 2.2).



Figure 2.2

To disengage the dethatcher:

- Pull back on the lever handle until the trigger assembly engages the mounting bracket.

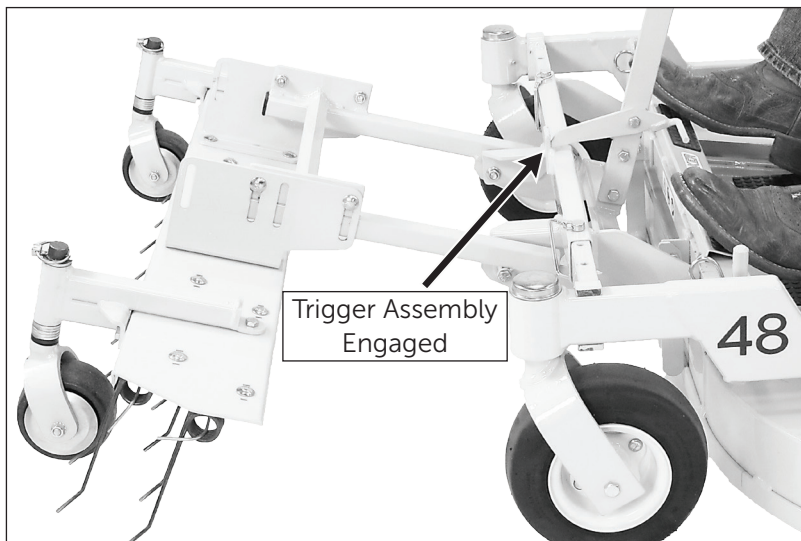


Figure 2.3

Maintenance

The Walker Lawn Dethatcher is nearly maintenance free. However, periodically grease will need to be added to the grease fittings on the caster wheel mounts.

Storage

1. Clean and inspect the dethatcher thoroughly, noting any replacement parts that will be needed before the next season.
2. Repaint all parts from which paint has worn.

NOTE: Rustproofing or painting every year will prolong the life of the hitch components and moving parts.

3. When the dethatcher is dry, apply oil to tines to prevent rust. Apply lubricant liberally to all exposed surfaces to protect against rust.
4. Store dethatcher in a dry place.

DETHATCHER (A10)

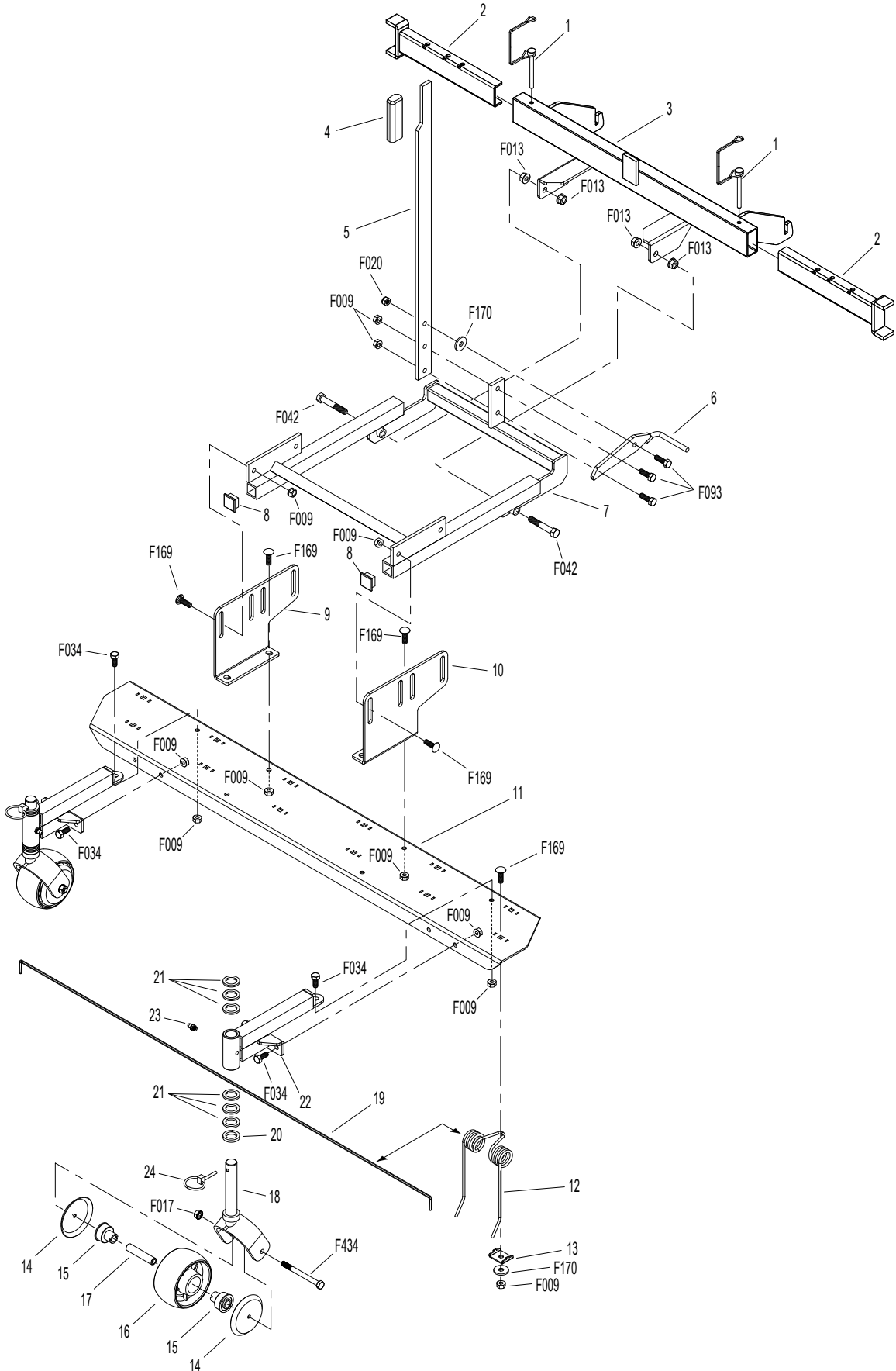
ITEM NO.	PART NO.	DESCRIPTION	NO. REQ'D	ITEM NO.	PART NO.	DESCRIPTION	NO. REQ'D
DT40A Dethatcher (40")				Fasteners			
1	7775-6	Wire Lock Pin (2-1/2")	2	F009	5/16-18 Whiz Locknut		28
2	6604-3	Channel Mount	2	F013	3/8-16 Whiz Locknut		4
3	6609-8	Mounting Bracket	1	F017	5/16-18 Keps Nut		2
4	5850-3	Handle Grip, Foam (3-1/4)	1	F020	5/16-18 ESNA Nut		1
5	6606	Lever Handle (Includes Item # 4)	1	F034	5/16-18 x 3/4 Hex Bolt		6
6	6603	Trigger Assembly	1	F042	3/8-16 x 2-1/4 Hex Bolt		2
7	6607-7	Carrier Frame	1	F093	5/16-18 x 1 Hex Bolt		3
8	8662-5	Square Plug (1 x 1)	2	F169	5/16-18 x 1 Carriage Bolt		20
9	6615-6	Tray Mounting Bracket, RH	1	F170	5/16 x 1 x 7/64 Flat Washer		13
10	6615-7	Tray Mounting Bracket, LH	1	F434	5/16-18 x 3-1/2 Hex Bolt		2
11	6605-4	Tine Tray	1				
12	6610	Dethatching Tine	12				
13	6610-3	Tine Retainer Clip	12				
14	6605-6	Tine Deflector	4				
15	6715-3	Roller Wheel Bearing	4				
16	6715-2	Roller Wheel	2				
17	6715-4	Axle Spacer Tube	2				
18	6770	Caster Wheel Fork	2				
19	6608-2	Safety Rod (42")	2				
20	6770-3	Shock Washer	2				
21	6770-2	Spacer (1-1/8 x .765 x .125)	12				
22	6605-5	Caster Wheel Mount	2				
23	5830	Grease Fitting	2				
24	2775-1	Lynch Pin (3/16 x 1-1/4)	2				

Beginning S/N 15-5951

Effective Date 10.01.15

Use only genuine **Walker®** replacement parts.

DETHATCHER (A10)



OPERATOR'S NOTES

OPERATOR'S NOTES

OPERATOR'S NOTES

LIMITED WARRANTY FOR WALKER DETHATCHER

1. What this warranty covers, and for how long:

Walker Manufacturing company will, at its option, repair or replace, without charge, any part covered by this warranty which is found to be defective in material and/or workmanship within one (1) year after date of sale to the original retail purchaser unless the product is used for rental purposes, in which case this warranty is limited to ninety (90) days. At Walker's request, customer will make the defective part available for inspection by Walker and/or return the defective part to Walker, transportation charges prepaid. All parts and components of the Walker Mower attachment are covered by this warranty

2. What this warranty does not cover:

A. This warranty does not cover defects caused by depreciation or damage caused by normal wear, accidents, improper maintenance, improper use or abuse of the product, alterations, or failure to follow the instructions contained in the Operator's Manual for operation and maintenance.

B. The customer shall pay any charges for making service calls and/or for transporting the attachment to and from the place where the inspection and/or warranty work is performed.

3. How to obtain service under this warranty:

Warranty service can be arranged by contacting the dealer where you purchased the machine or by contacting Walker Manufacturing Company, 5925 East Harmony Road, Ft. Collins, CO 80528. Proof of the date of purchase may be required to verify warranty coverage.

4. Warranty limitation:

A. THERE IS NO OTHER EXPRESS WARRANTY. ANY WARRANTY THAT MAY BE IMPLIED FROM THIS PURCHASE INCLUDING MERCHANTABILITY AND FITNESS FOR A PARTICULAR PURPOSE IS HEREBY LIMITED TO THE DURATION OF THIS WARRANTY AND TO THE EXTENT PERMITTED BY LAW ANY AND ALL IMPLIED WARRANTIES ARE EXCLUDED. Some states do not allow limitations on how long an implied warranty lasts, so the above limitations may not apply to you.

B. WALKER WILL NOT BE LIABLE FOR ANY INCIDENTAL, CONSEQUENTIAL, OR SPECIAL DAMAGES AND/OR EXPENSES IN CONNECTION WITH THE PURCHASE OR USE OF THE WALKER MOWER AND ATTACHMENT. Some states do not allow the exclusion or limitation of incidental or consequential damages, so the above limitation(s) or exclusion(s) may not apply to you.

C. Only the warranty expressed in this limited warranty shall apply and no dealer, distributor, or individual is authorized to amend, modify, or extend this warranty in any way. Accordingly, additional statements such as dealer advertising or presentations, whether oral or written, do not constitute warranties by Walker, and should not be relied upon.

D. This warranty gives you specific legal rights, and you may also have other rights which vary from state to state.



WALKER

WALKER MFG. CO. 5925 HARMONY ROAD, FORT COLLINS, CO. 80528 - (970)221-5614
FORM NO. 012716 PRINTED IN USA