



A38 FERTILIZER SPREADER MOUNT

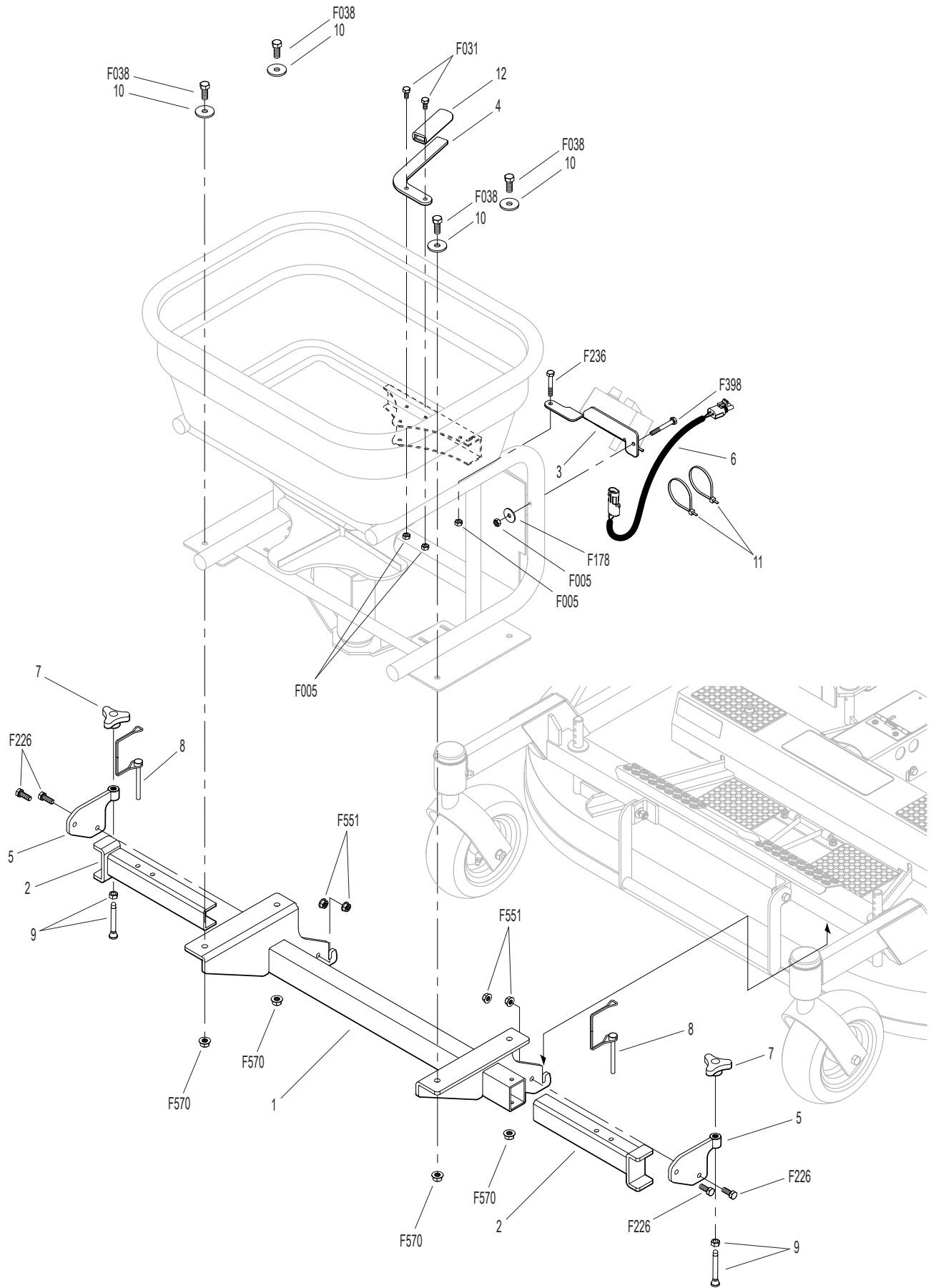
DESCRIPTION: This kit is designed to mount the Spyker Fertilizer Spreader to 42 in, 48 in, and 52 in. gear-driven decks. The fertilizer spreader is purchased separately.

A NOTE: Refer to Spyker Operator’s Manual, Model S80-12010 for Safety, Assembly, Installation, Operation and Maintenance instructions.

INSTRUCTIONS:

1. Hook the rear legs of the fertilizer spreader mount under the front of the deck carrier frame, and slide the channel mounts out to the deck carrier frame arms. Tighten the knobs to secure the fertilizer spreader mount to the deck carrier frame.
2. Once the channel mounts are attached to the carrier frame arms, install the lock pins. The fertilizer spreader mount should be centered between the carrier frame of the deck.
3. Install the motor mount (P/N 6800-3) on the fertilizer spreader unit using the 1/4-20 x 1-3/4 Hex Bolt (F236) hex bolt, 1/4-20 x 2 (F398) Hex Bolt, 1/4 x 1 (F178) Fender Washer, and two (2) 1/4-20 (F005) ESNA Nuts as shown in the parts diagram.
4. Plug the wire harness (P/N 6800-10) into the motor, and connect it to the fertilizer spreader control unit.
5. Install the spreader handle (P/N 6800-4) included in this kit on the fertilizer spreader unit using the two (2) 1/4-20 x 5/8 (F031) Hex Bolts and two (2) F005 ESNA nuts.

ITEM NO.	PART NO.	DESCRIPTION	QTY REQ'D
1	6800-1	Mounting Bracket.	1
2	6800-2	Channel Mount	2
3	6800-3	Controller Bracket	1
4	6800-4	Spreader Handle	1
5	6800-5	Leg Plate Mount.	2
6	6800-10	Wire Harness, Spreader	1
7	5777	Knob 5/16-18, Female (2-1/4)	2
8	7775-6	Wire Lock Pin (2-1/2")	2
9	6800-7	5/16-18 x 2.75 Swivel Foot.	2
10	5841	Retainer Washer (3/8 x 1-1/4)	4
11	5975-3	Cable Tie (50# x 7")	2
12	5850-3	Handle Grip, Foam (3-1/4).	1
F005	F005	1/4-20 ESNA Nut	4
F031	F031	1/4-20 x 5/8 Hex Bolt	2
F038	F038	3/8-16 x 1 Hex Bolt.	4
F178	F178	1/4 x 1 Fender Washer.	1
F226	F226	5/16-18 x 7/8 Hex Bolt	4
F236	F236	1/4-20 x 1-3/4 Hex Bolt.	1
F398	F398	1/4-20 x 2 Hex Bolt.	1
F551	F551	5/16-18 Flange Top Lock Nut	4
F570	F570	3/8-16 Flange Top Lock Nut	4



Parts Breakdown