

**WCS Group**

The H<sub>2</sub>O experts

MARLOWE Critical Services

**GUARDIAN**

Air & Water Hygiene Specialists

A WCS Group Company

**Clearwater**  
A WCS Group Company

## Ultralox 40®

HOCl, active form of chlorine  
as a biocide

Potable and process water

Article 95 compliant

DWI approved

Used widely in the NHS

### Suitable for...

Hot / cold systems

System purges

Hospitals

Hotels

Care homes

Schools

Small offices

Legionella control

Domestic systems

Drinking water

Breweries

Dairies

Food processing

CIP systems

Leisure centres

Poultry houses

And more ...

# Ultralox40®

Approved hypochlorous acid, the active form of chlorine that works as a biocide



### Low concentration, highly effective colourless biocide

Ultralox40® is an extremely efficacious fast-acting stable biocide (hypochlorous acid or HOCl). HOCl is manufactured naturally by white blood cells (neutrophils) as part of the body's defence against pathogens. HSG 274 cites "hypochlorous acid (HOCl) the form of chlorine that is most effective as a biocide". It breaks down biofilm and is highly effective against pathogens and bacteria. Particularly for systems with low and high pressure, high bacteria counts, embedded or systematic biofilm challenges, require repeated flushing and one-off disinfections and therefore have requirements for secondary disinfection.

### Small and medium applications

Delivered in 25L, 200L or 1,000L package sizes. Can be dosed into incoming mains or a break tank, via fixed or mobile delivery and control systems that can be purchased or hired. The standard mobile or free-standing skid mounted systems can be retrofitted and are suitable for systems up to 40m<sup>3</sup>/day. 200L systems are better suited for 50-60m<sup>3</sup>/day requirements.

Constituents are BS EN approved (BS EN 900:2007 and BS EN 974:2003)

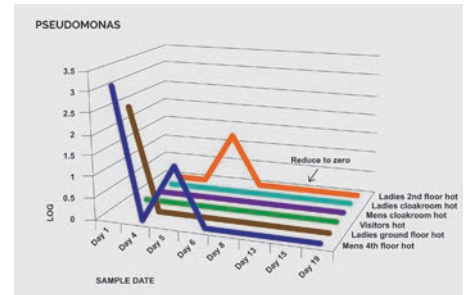
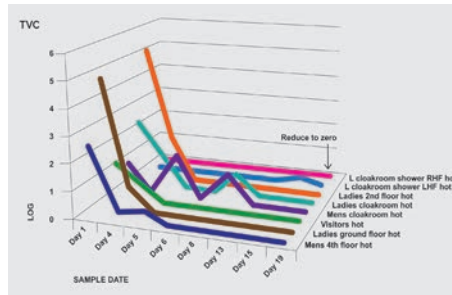
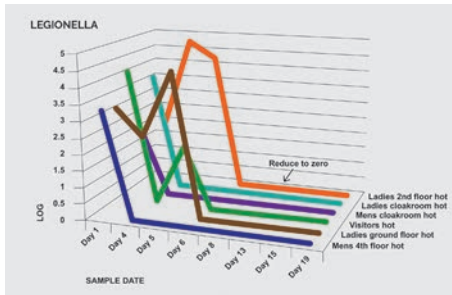
Appearance: colourless

Sg (at 200 Celsius): 1

Intended dose rate: 0.2ppm-1.5ppm (higher for shock-dosing)

Drinking Water Inspectorate Approval (DWI 56.4.1074) under Regulation 31 (4)A of the Water Supply (Water Quality) Regulations 2000 SI NO 3184 and The Water Supply (Water Quality) Regulations 2010 SI No 994 (W.99).

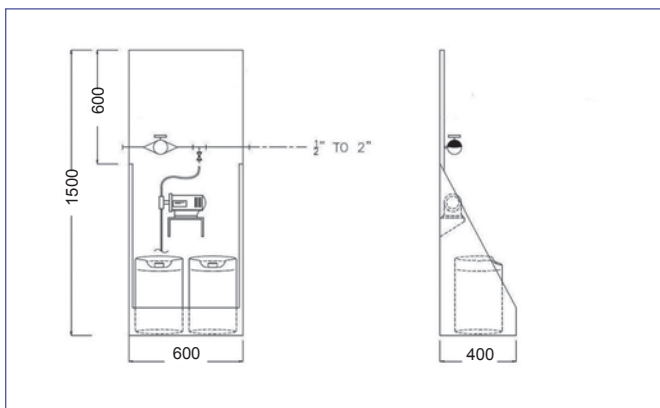
# Shock-dosed for 24 hours before maintenance 0.5ppm-1ppm in a food and beverage manufacturing site with stubborn bacteria counts



## Disinfection comparison

Feature / Application	Ultralox 40	Super Heating and Flushing	Traditional Chlorination System	Chlorine Dioxide	Copper-Silver Ionisation System	Ultraviolet
Used on domestic cold-water systems	✓	X	✓	✓	✓	✓
Used on domestic hot-water systems	✓	✓	✓	✓	✓	✓
Low hazard	✓	X	X	X	✓	✓
Compatible with equipment and systems	✓	✓	X	✓	Stains white porcelain	✓
Breaks down biofilm (at nominal operating conditions)	✓	X	X	✓	Ppm dependent	X
Inhibits biofilm (at nominal operating conditions)	✓	X	✓	✓	Ppm dependent	X
Residual effectiveness against Legionella	✓	X	✓	✓	✓	X
Simple to monitor	✓	✓	✓	✓	X	✓
Simple dosing equipment	✓	N/A	✓	Sometimes	X	✓
Single package dosing	✓	N/A	✓	Sometimes	N/A	N/A

## Skid system control and dosing



The kit comprises 2 x 25L or 1 x 200L options including;

- Chlorine Analyser / Controller
- Backboard and Ancillary systems
- 2 x 25L drum bund
- Flow meter
- Dosing pump(s)
- Fused power supply
- Injection tubing and foot valve

Enquiries: alex.winter@wcs-group.co.uk or +44 (0)113 200 5214

[www.wcs-group.co.uk](http://www.wcs-group.co.uk) | [www.gwtltd.com](http://www.gwtltd.com) | [www.clearwater.eu.com](http://www.clearwater.eu.com)



Cert No. 11011  
ISO 9001, ISO 14001,  
OHSAS 18001