

# DIESEL GENERATOR SET

## MTU 4R0113 DS50

50 kWe / 60 Hz / Standby  
208 - 600V

Reference MTU 4R0113 DS50 (45 kWe) for Prime Rating Technical Data



### SYSTEM RATINGS

#### Standby

Voltage (L-L)	240V**	240V**	208V**	240V**	380V**	480V**	600V**
Phase	1	1	3	3	3	3	3
PF	1	1	0.8	0.8	0.8	0.8	0.8
Hz	60	60	60	60	60	60	60
kW	50	50	50	50	50	50	50
kVA	50	50	62	62	62	62	62
Amps	208	208	173	150	95	75	60
skVA@30%							
Voltage Dip	127	130	129	129	112	172	138
Generator							
Model	362CSL1604	361CSL1613	361CSL1601	361CSL1601	361CSL1601	361CSL1601	361PSL1633
Temp Rise	130 °C/40 °C	130 °C/40 °C	130 °C/40 °C	130 °C/40 °C	130 °C/40 °C	130 °C/40 °C	130 °C/40 °C
Connection	12 LEAD DOUBLE DELTA	4 LEAD	12 LEAD WYE	12 LEAD DELTA	12 LEAD WYE	12 LEAD WYE	4 LEAD WYE

\*\* UL 2200 Offered

### CERTIFICATIONS AND STANDARDS

// **Emissions** – EPA Tier 3 Certified

// **Generator set is designed and manufactured in facilities certified to standards ISO 9001:2008 and ISO 14001:2004**

// **Seismic Certification** – Optional  
– IBC Certification

// **UL 2200 / CSA** – Optional  
– UL 2200 Listed  
– CSA Certified

// **Performance Assurance Certification (PAC)**

- Generator Set Tested to ISO 8528-5 for Transient Response
- Verified product design, quality and performance integrity
- All engine systems are prototype and factory tested

// **Power Rating**

- Accepts Rated Load in One Step Per NFPA 110

## STANDARD FEATURES\*

- // MTU Onsite Energy is a single source supplier
  - // Global Product Support
  - // 2 Year Standard Warranty
  - // 4045TF280 Diesel Engine
    - 4.5 Liter Displacement
    - Mechanical Injection Pump
    - 4-Cycle
  - // Engine-generator resilient mounted
  - // Complete Range of Accessories
- // Generator
    - Brushless, Rotating Field Generator
    - 2/3 Pitch Windings
    - 300% Short Circuit Capability with Optional Permanent Magnet Generator (PMG)
  - // Digital Control Panel(s)
    - UL Recognized, CSA Certified, NFPA 110
    - Complete System Metering
    - LCD Display
  - // Cooling System
    - Integral Set-Mounted
    - Engine-Driven Fan

## STANDARD EQUIPMENT\*

### // Engine

Air Cleaner	130 °C Max. Standby Temperature Rise
Oil Pump	1 Bearing, Sealed
Oil Drain Extension and S/O Valve	Flexible Coupling
Full Flow Oil Filter	Full Amortisseur Windings
Fuel Filter with Water Separator	125% Rotor Balancing
Jacket Water Pump	3-Phase Voltage Sensing
Thermostat	100% of Rated Load - One Step
Blower Fan and Fan Drive	5% Max. Total Harmonic Distortion
Radiator - Unit Mounted	
Electric Starting Motor - 12V	
Governor - Mechanical Droop	
Base - Formed Steel	
SAE Flywheel and Bell Housing	
Charging Alternator - 12V	
Battery Box and Cables	
Flexible Fuel Connectors	
Flexible Exhaust Connection	
EPA Certified Engine	

### // Digital Control Panel(s)

Digital Metering
Engine Parameters
Generator Protection Functions
Engine Protection
Windows®-Based Software
Multilingual Capability
Remote Communications to RDP-110 Remote Annunciator
Programmable Input and Output Contacts
UL Recognized, CSA Certified, CE Approved
Event Recording
IP 54 Front Panel Rating with Integrated Gasket
NFPA110 Compatible

### // Generator

NEMA MG1, IEEE and ANSI standards compliance for temperature rise and motor starting
Self-Ventilated and Drip-Proof
Superior Voltage Waveform
Solid State, Volts-per-Hertz Regulator
±1% Voltage Regulation No Load to Full Load
Brushless Alternator with Brushless Pilot Exciter
4 Pole, Rotating Field

\* Represents standard product only. Consult Factory/MTU Onsite Energy Distributor for additional configurations.

## APPLICATION DATA

### // Engine

Manufacturer	John Deere
Model	4045TF280
Type	4-Cycle
Arrangement	4-Inline
Displacement: L (in <sup>3</sup> )	4.5 (275)
Bore: cm (in)	10.6 (4.19)
Stroke: cm (in)	12.7 (5)
Compression Ratio	19.0:1
Rated RPM	1,800
Engine Governor	Mechanical Droop
Max. Power: kWm (bhp)	63 (85)
Speed Regulation	±0.5%
Air Cleaner	Dry

### // Liquid Capacity (Lubrication)

Total Oil System: L (gal)	13 (3.4)
Engine Jacket Water Capacity: L (gal)	8.5 (2.3)
System Coolant Capacity: L (gal)	18.9 (5)

### // Electrical

Electric Volts DC	12
Cold Cranking Amps Under -17.8 °C (0 °F)	925

### // Fuel System

Fuel Supply Connection Size	3/8" NPT
Fuel Return Connection Size	3/8" NPT
Max. Fuel Lift: m (ft)	1.8 (6)
Recommended Fuel	Diesel #2
Total Fuel Flow: L/hr (gal/hr)	62.5 (16.5)

### // Fuel Consumption

At 100% of Power Rating: L/hr (gal/hr)	17.4 (4.6)
At 75% of Power Rating: L/hr (gal/hr)	13.6 (3.6)
At 50% of Power Rating: L/hr (gal/hr)	9.5 (2.5)

### // Cooling - Radiator System

Ambient Capacity of Radiator: °C (°F)	50 (122)
Max. Restriction of Cooling Air: Intake and Discharge Side of Rad.: kPa (in. H <sub>2</sub> O)	0.12 (0.5)
Water Pump Capacity: L/min (gpm)	144 (38)
Heat Rejection to Coolant: kW (BTUM)	36 (2,049)
Heat Radiated to Ambient: kW (BTUM)	8.7 (495)
Fan Power: kW (hp)	1.6 (2.2)

### // Air Requirements

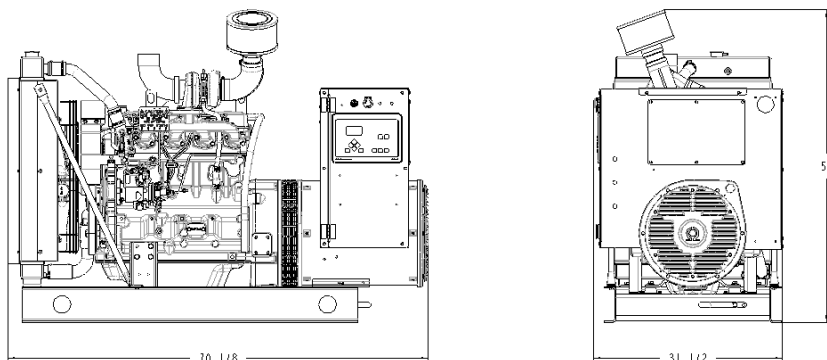
Aspirating: *m <sup>3</sup> /min (SCFM)	5.3 (187)
Air Flow Required for Rad.	
Cooled Unit: *m <sup>3</sup> /min (SCFM)	117 (4,088)
Remote Cooled Applications; Air Flow Required for Dissipation of Radiated Generator Set Heat for a Max. of 25 °F Rise: *m <sup>3</sup> /min (SCFM)	32 (1,117)

\* Air density = 1.184 kg/m<sup>3</sup> (0.0739 lbm/ft<sup>3</sup>)

### // Exhaust System

Gas Temp. (Stack): °C (°F)	579 (1,074)
Gas Volume at Stack Temp: m <sup>3</sup> /min (CFM)	19.2 (679)
Max. Allowable Back Pressure: kPa (in. H <sub>2</sub> O)	7.5 (30)
Min. Allowable Back Pressure: kPa (in. H <sub>2</sub> O)	N/A

## WEIGHTS AND DIMENSIONS



Drawing above for illustration purposes only, based on standard open power 480 volt generator set. Lengths may vary with other voltages. Do not use for installation design. See website for unit specific template drawings.

### System

Open Power Unit (OPU)

### Dimensions (L x W x H)

1,781 x 800 x 1,321 mm (70.13 x 31.5 x 52 in)

### Weight (dry/less tank)

943-1,404 kg (2,078-3,095 lb)

Weights and dimensions are based on open power units and are estimates only. Consult the factory for accurate weights and dimensions for your specific generator set.

## SOUND DATA

### Unit Type

Level 0: Open Power Unit dB(A)

### Standby Full Load

80.5

Sound data is provided at 7 m (23 ft). Generator set tested in accordance with ISO 8528-10 and with infinite exhaust.

## EMISSIONS DATA

### NO<sub>x</sub> + NMHC

3.8

### CO

0.69

### PM

0.22

**All units are in g/hp-hr and shown at 100% load (not comparable to EPA weighted cycle values).**

Emission levels of the engine may vary with ambient temperature, barometric pressure, humidity, fuel type and quality, installation parameters, measuring instrumentation, etc. The data was obtained in compliance with US EPA regulations. The weighted cycle value (not shown) from each engine is guaranteed to be within the US EPA Standards. 5-mode emission data per 40 CFR 89 or 40 CFR 1039 (as applicable) is available upon request.

## RATING DEFINITIONS AND CONDITIONS

// Standby ratings apply to installations served by a reliable utility source. The standby rating is applicable to varying loads for the duration of a power outage. No overload capability for this rating. Ratings are in accordance with ISO 3046-1, BS 5514, and AS 2789. Average load factor: ≤ 85%.

// Deration Factor:

**Altitude:** Consult your local MTU Onsite Energy Power Generation Distributor for altitude derations.

**Temperature:** Consult your local MTU Onsite Energy Power Generation Distributor for temperature derations.

C/F = Consult Factory/MTU Onsite Energy Distributor

N/A = Not Available

**MTU Onsite Energy**

A Rolls-Royce Power Systems Brand

[www.mtuonsiteenergy.com](http://www.mtuonsiteenergy.com)