

GAS GENERATOR SET

MTU 4R0063 GS40

40 kWe / 60 Hz / Standby
208 - 600V



SYSTEM RATINGS

Standby

Voltage (L-L)	240V*	240V*	208V*	240V*	380V*	480V*	600V*
Phase	1	1	3	3	3	3	3
PF	1	1	0.8	0.8	0.8	0.8	0.8
Hz	60	60	60	60	60	60	60
Natural Gas (NG)							
Amps	167	167	139	120	76	60	48
kW/kVA	40/40	40/40	40/50	40/50	40/50	40/50	40/50
Liquid Propane (LP)							
Amps	167	167	139	120	76	60	48
kW/kVA	40/40	40/40	40/50	40/50	40/50	40/50	40/50
NG and LP							
skVA@30%							
Voltage Dip	101	102	141	188	130	188	167
Generator Model	286PSL1701	284PSL1750	285PSL1700	285PSL1700	285PSL1700	285PSL1700	284PSL5253
Temp Rise	130 °C/40 °C	130 °C/40 °C	130 °C/40 °C	130 °C/40 °C	130 °C/40 °C	130 °C/40 °C	130 °C/40 °C
Connection	12 LEAD DOUBLE DELTA	4 LEAD	12 LEAD WYE	12 LEAD DELTA	12 LEAD WYE	12 LEAD WYE	4 LEAD WYE

* UL 2200 Offered

CERTIFICATIONS AND STANDARDS

// **Generator set is designed and manufactured in facilities certified to standards ISO 9001:2008 and ISO 14001:2004**

// **Seismic Certification – Optional**

- IBC Certification
- OSHPD Pre-Approval

// **UL 2200 / CSA – Optional**

- UL 2200 Listed
- CSA Certified

// **Performance Assurance Certification (PAC)**

- Generator Set Tested to ISO 8528-5 for Transient Response
- Verified product design, quality and performance integrity
- All engine systems are prototype and factory tested

// **Power Rating**

- Accepts Rated Load in One Step Per NFPA 110

STANDARD FEATURES*

- // MTU Onsite Energy is a single source supplier
 - // Global Product Support
 - // 2 Year Standard Warranty
 - // 2.5L Engine
 - 2.5 Liter Displacement
 - 4-Cycle
 - // Optional Fuels: LP Liquid and Dual Fuel
 - // Engine-generator resilient mounted
 - // Complete Range of Accessories
- // Generator
 - Brushless, Rotating Field Generator
 - 2/3 Pitch Windings
 - 300% Short Circuit Capability with Optional Permanent Magnet Generator (PMG)
 - // Digital Control Panel(s)
 - UL Recognized, CSA Certified, NFPA 110
 - Complete System Metering
 - LCD Display
 - // Cooling System
 - Integral Set-Mounted
 - Engine-Driven Fan

STANDARD EQUIPMENT*

// Engine

.....
Air Cleaner	4 Pole, Rotating Field
Oil Pump	130 °C Max. Standby Temperature Rise
Oil Drain Extension and S/O Valve	1 Bearing, Sealed
Full Flow Oil Filter	Flexible Coupling
Jacket Water Pump	Full Amortisseur Windings
Thermostat	125% Rotor Balancing
Blower Fan and Fan Drive	3-Phase Voltage Sensing
Radiator - Unit Mounted	100% of Rated Load - One Step
Electric Starting Motor - 12V	5% Max. Total Harmonic Distortion
Governor - Electronic Isochronous
Base - Formed Steel
Industrial Flywheel and Bell Housing
Charging Alternator - 12V
Battery Box and Cables
Flexible Fuel Connectors
Flexible Exhaust Connection
EPA Certified Engine
Liquid Cooled Turbocharger

// Generator

.....
NEMA MG1, IEEE and ANSI standards compliance for temperature rise and motor starting
Self-Ventilated and Drip-Proof
Superior Voltage Waveform
Solid State, Volts-per-Hertz Regulator
±1% Voltage Regulation No Load to Full Load
Brushless Alternator with Brushless Pilot Exciter

// Digital Control Panel(s)

.....
Digital Metering
Engine Parameters
Generator Protection Functions
Engine Protection
SAE J1939 Engine ECU Communications
Windows®-Based Software
Multilingual Capability
Remote Communications to RDP-110 Remote Annunciator
Programmable Input and Output Contacts
UL Recognized, CSA Certified, CE Approved
Event Recording
IP 54 Front Panel Rating with Integrated Gasket
NFPA110 Compatible

* Represents standard product only. Consult Factory/MTU Onsite Energy Distributor for additional configurations.

APPLICATION DATA

// Engine

Manufacturer	MTU
Model	2.5L
Type	4-Cycle
Arrangement	4-Inline
Aspiration	Turbocharged
Displacement: L (in ³)	2.5 (153)
Bore: cm (in)	8.9 (3.5)
Stroke: cm (in)	10 (3.94)
Compression Ratio	9.7:1
Rated RPM	1,800
Engine Governor	MTU
Max. Power (NG): kWm (bhp)	47 (63)
Max. Power (LP): kWm (bhp)	47 (63)
Speed Regulation	±0.75%
Air Cleaner	Dry

// Liquid Capacity (Lubrication)

Total Oil System: L (gal)	6.62 (1.75)
Engine Jacket Water Capacity: L (gal)	1.65 (0.44)
System Coolant Capacity: L (gal)	12.3 (3.24)

// Electrical

Electric Volts DC	12
Cold Cranking Amps Under -17.8 °C (0 °F)	675

// Fuel Inlet - Vaporous Supply

Fuel Supply Connection Size	3/4" NPT
Fuel Supply Pressure: mm H ₂ O (in. H ₂ O)	178-279 (7-11)

// Fuel Inlet - Liquid Supply

Fuel Supply Connection Size	#6 (3/8") Female SAE 45° Flare
Max. Fuel Supply Pressure: kPa (PSI)	2,150 (312)

// Fuel Consumption (NG-1000 BTU/ft³ / LP-2500 BTU/ft³)

	NG	LPG
At 100% of Power Rating: m ³ /hr (ft ³ /hr)	12.42 (439)	5.95 (210)
At 75% of Power Rating: m ³ /hr (ft ³ /hr)	9.65 (341)	4.62 (163)
At 50% of Power Rating: m ³ /hr (ft ³ /hr)	6.88 (243)	3.29 (116)

// Cooling - Radiator System

	NG and LPG
Ambient Capacity of Radiator: °C (°F)	50 (122)
Max. Restriction of Cooling Air: Intake and Discharge Side of Rad.: kPa (in. H ₂ O)	0.12 (0.5)
Water Pump Capacity: L/min (gpm)	71.9 (19)
Heat Rejection to Coolant: kW (BTUM)	36 (2,047)
Heat Radiated to Ambient: kW (BTUM)	17.6 (1,002)
Fan Power: kW (hp)	1.4 (1.8)

// Air Requirements

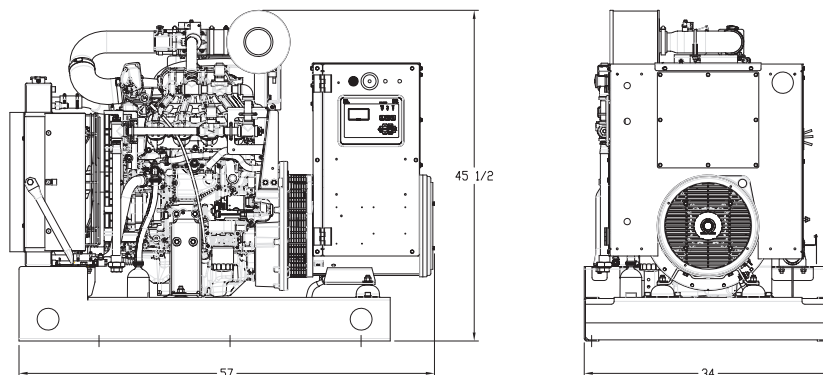
	NG and LPG
Aspirating: *m ³ /min (SCFM)	2.3 (79.4)
Air Flow Required for Rad. Cooled Unit: *m ³ /min (SCFM)	51 (1,801)
Remote Cooled Applications; Air Flow Required for Dissipation of Radiated Generator Set Heat For a Max. of 25 °F Rise: *m ³ /min (SCFM)	83.8 (2,958)

* Air density = 1.184 kg/m³ (0.0739 lbm/ft³)

// Exhaust System

	NG and LPG
Gas Temp. (Stack): °C (°F)	613 (1,135)
Gas Volume at Stack Temp: m ³ /min (CFM)	7.84 (277)
Max. Allowable Back Pressure: kPa (in. H ₂ O)	10 (40)

WEIGHTS AND DIMENSIONS



Drawing above for illustration purposes only, based on standard open power 480 volt generator set. Lengths may vary with other voltages. Do not use for installation design. See website for unit specific template drawings.

System

Open Power Unit (OPU)

Dimensions (L x W x H)

1,448 x 864 x 1,156 mm (57 x 34 x 45.5 in)

Weight Range (dry)

570-1,011 kg (1,255-2,225 lb)

Weights and dimensions are based on open power units and are estimates only. Consult the factory for accurate weights and dimensions for your specific generator set.

SOUND DATA

Unit Type

Level 0: Open Power Unit dB(A)

Standby Full Load

69.9

Sound data is provided at 7 m (23 ft). Generator set tested in accordance with ISO 8528-10 and with infinite exhaust.

EMISSIONS DATA

Fuel Type

Natural Gas

Liquid Propane

THC + NO_x

4.98

5.41

CO

28.53

37.26

All units are in g/hp-hr and are EPA weighted cycle values.

Emission levels of the engine may vary with ambient temperature, barometric pressure, humidity, fuel type and quality, installation parameters, measuring instrumentation, etc. The data was obtained in compliance with US EPA regulations.

RATING DEFINITIONS AND CONDITIONS

// Standby ratings apply to installations served by a reliable utility source. The standby rating is applicable to varying loads for the duration of a power outage. No overload capability for this rating. Ratings are in accordance with ISO 3046-1, BS 5514, and AS 2789. Average load factor: ≤ 85%.

// Deration Factor:

Altitude: Consult your local MTU Onsite Energy Power Generation Distributor for altitude derations.

Temperature: Consult your local MTU Onsite Energy Power Generation Distributor for temperature derations.

C/F = Consult Factory/MTU Onsite Energy Distributor

N/A = Not Available

MTU Onsite Energy

A Rolls-Royce Power Systems Brand

www.mtuonsiteenergy.com