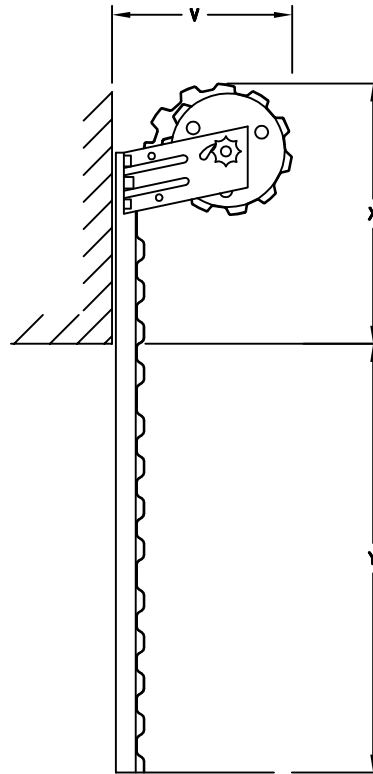
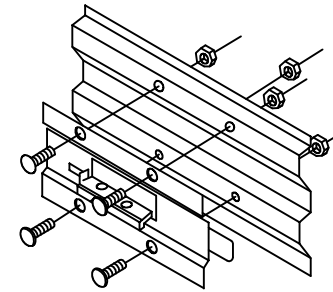


**ELEVATION**

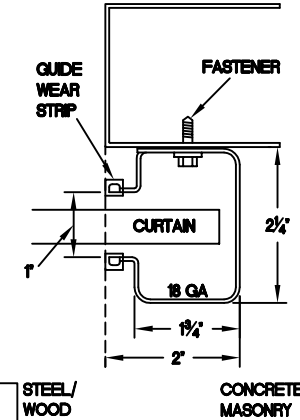


**SECTION-A-A**

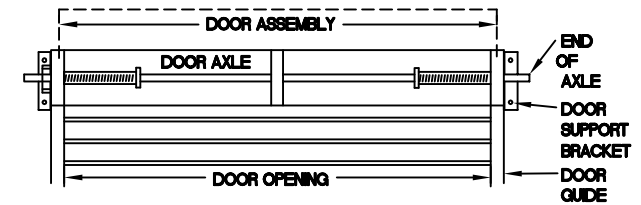
**MODEL 281 MINI LOCK ASSEMBLY**



**GUIDE DETAIL**



**ELEVATION DETAIL**



**CLEARANCE REQUIREMENTS**

OPENING HEIGHT	HEADROOM		SIDEROOM (PER SIDE)	
	(X)	(V)	BACK OF GUIDE	
UP TO 8'	16'	17'	OUTSIDE OF BRACKET	3 1/4'
UP TO 10'	17'	18'	END OF AXLE	5'

**GENERAL NOTES:**

**CURTAIN:**

- 26 GAUGE GALVANIZED STEEL WITH BAKED ON EPOXY PRIMER AND POLYESTER TOP COAT

**GUIDES:**

- ROLL FORMED 18 GAUGE GALVANIZED STEEL

**OPERATION:**

- RIGHT HAND SHOWN, LEFT HAND OPPOSITE

**OTHER SURFACES:**

- GALVANIZED

OPERATION	A1	A2
MANUAL PUSH-UP	3 1/4"	3 1/4"

MFK.	QTY.	OPENING SIZE		OPERATION	R.H.	L.H.	OPTION
		WIDTH "W"	HEIGHT "H"				

PROJECT:  
ARCHITECT:  
CONTRACTOR:  
DISTRIBUTOR:



**ASTA Door Corporation**

4255 McEver Industrial Dr.  
Acworth, GA 30101  
PH:(770) 924-2800  
Fax:(770) 974-1455  
www.astadoor.com

DATE: SHEET: OF: BY: REF.#

**MODEL 281W WINDLOAD MINI/SELF STORAGE DOOR**

Asta Door Corporation is not responsible for the use of improper installation procedures, structural supports as well as field inspection prior to manufacturing and installation.

APPROVAL SIGNATURE: \_\_\_\_\_ DATE: \_\_\_\_\_