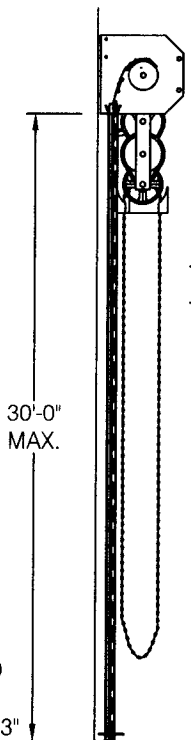
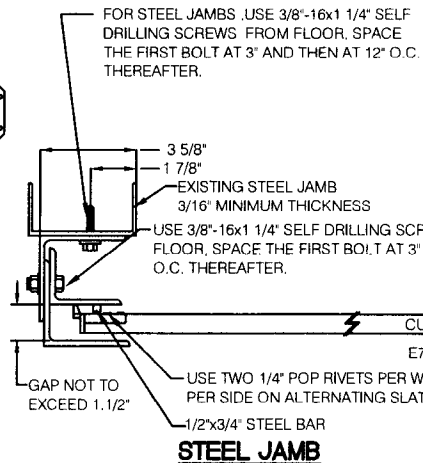


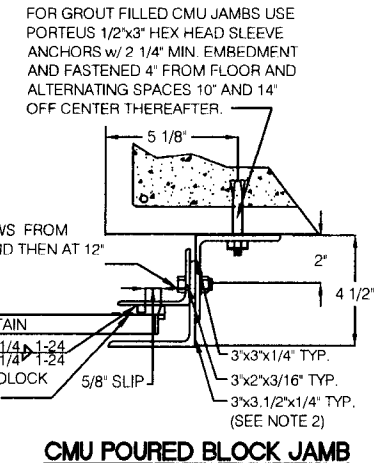
INTERIOR ELEVATION



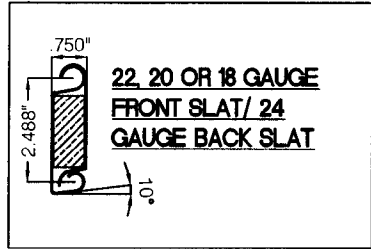
SIDE ELEVATION



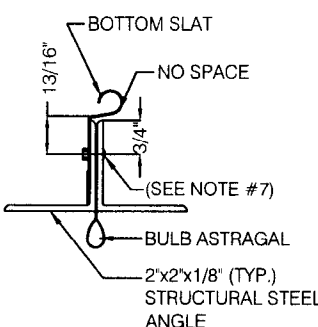
STEEL JAMB



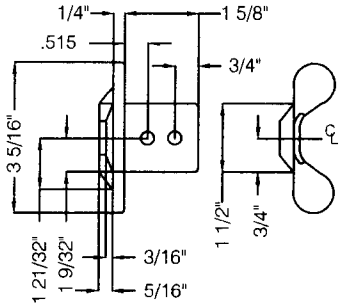
CMU POURED BLOCK JAMB



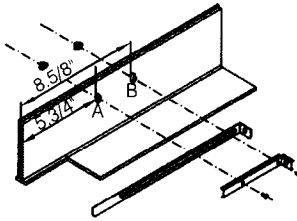
22, 20 OR 18 GAUGE FRONT SLAT / 24 GAUGE BACK SLAT



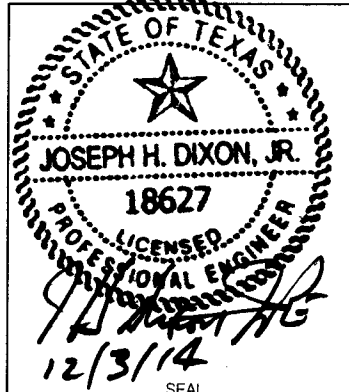
BOTTOM BAR



MATERIAL: CAST IRON WINDLOCK



SLIDE BOLT LOCK



ABC
ASTA Door Corporation
4255 McEver Industrial Dr.
Acworth, GA 30101
PH: (770) 974-2600/Fax: (770) 974-1455
www.astadoor.com

600 SERIES INSULATED SLAT CERTIFIED WINDLOAD ROLLING STEEL SERVICE DOOR

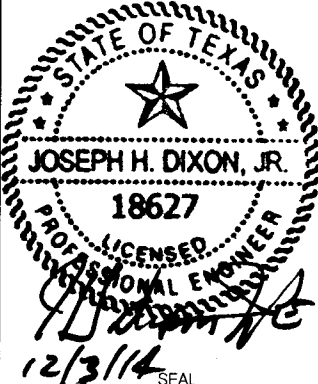

SCALE: VARIES (DO NOT SCALE DRAWINGS)
TOLERANCES
FRACTION = +/- 1/32
.X = +/- .032
.XX = +/- .015
.XXX = +/- .005 < -/- 5

TEST SIZE	DESIGN PRESSURE	TEST PRESSURE
14'-0" W x 10'H	+/- 50.0 PSF	+/- 75.0 PSF
MODELS	TEST LOCATION ELEMENT-ORLANDO 124 PREMIER ROAD ORLANDO, FL 32822	
622-22 GAUGE 620-20 GAUGE 618-18 GAUGE		

DRAWN BY: BCLLC
ISSUE: 12-02-14

GENERAL NOTES:

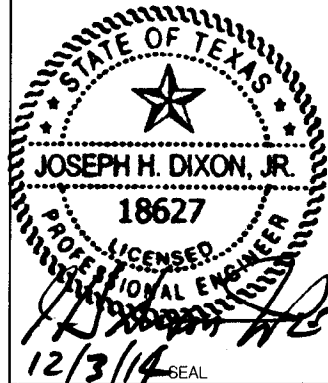
1. STEEL USED FOR SLATS IS ASTM-A653 WITH MINIMUM YIELD OF 50 KSI AND TENSILE OF 60 KSI.
2. GUIDES AND BOTTOM BAR COMPOSED OF STRUCTURAL STEEL ANGLES WITH MINIMUM YIELD STRENGTH OF 36 KSI.
3. INSULATION TO BE 5/8" POLYSTYRENE FOAM. EFFECTIVE INSULATING VALUE R= 5.0.
4. THE WINDLOCKS ARE ATTACHED TO EVERY OTHER SLAT BEGINNING AT THE BOTTOM SLAT. WINDLOCKS ARE ATTACHED USING TWO - 1/4" x 15/32" STEEL, ZINC PLATED RIVETS.
5. THIS DOOR HAS BEEN DESIGNED AND TESTED IN ACCORDANCE WITH THE FLORIDA BUILDING CODE AND THE INTERNATIONAL BUILDING CODE. THE DESIGN WIND PRESSURES REQUIRED FOR ANY DOOR SHALL BE DETERMINED USING THE APPROPRIATE SECTION OF THE CODE HAVING JURISDICTION WHERE THE BUILDING IS LOCATED.
6. THIS DOOR HAS BEEN SUCCESSFULLY TESTED TO:
-THE UNIFORM STATIC AIR PRESSURE TEST PER ASTM E-330 AND DASTMA 108-05. TO A DESIGN LOAD PRESSURE OF +/- 50.0 PSF AND A TESTED PRESSURE OF +/- 75.0 PSF.
7. ALL FASTENERS SHALL BE GALVANIZED OR ZINC COATED WITH A MINIMUM TENSILE STRENGTH OF 60KSI.
8. FOR GROUT FILLED CMU JAMBS. USE PORTEUS 1/2" x 3" HEX HEAD SLEEVE ANCHORS WITH 2 1/4" MINIMUM EMBEDMENT AND FASTENED 3" FROM FLOOR AND ALTERNATING SPACED 10" AND 14" OFF CENTER THEREAFTER.
9. BOTTOM BAR ASSEMBLY FASTENED 5 3/4" FROM EACH END AND 12" O.C. FROM CENTER USING 5/16" x 1" CARRIAGE BOLTS.

	 4255 McEver Industrial Dr. Acworth, GA 30101 PH: (770) 974-2600/Fax: (770) 974-1455 www.astadoor.com		
	600 SERIES INSULATED SLAT CERTIFIED WINDLOAD ROLLING STEEL SERVICE DOOR		
SCALE: VARIES (DO NOT SCALE DRAWINGS) TOLERANCES FRACTION = +/- 1/32 .X = +/- .032 .XX = +/- .015 .XXX = +/- .005 < =/ 5	TEST SIZE 14'-0"W x 10'H	DESIGN PRESSURE +/- 50.0 PSF	TEST PRESSURE +/- 75.0 PSF
DRAWN BY: BCLLC ISSUE: 12-02-14	MODELS 622-22 GAUGE 620-20 GAUGE 618-18 GAUGE	TEST LOCATION ELEMENT-ORLANDO 124 PREMIER ROAD ORLANDO, FL 32822	
DRAWING # 607-8CMU-600M			SHEET 2 OF 3

	Width ft	Design Windload		Insulated Slat Door	
		Pos psf	Neg psf	Model	gage in
14'-0" x 10'-0" Test Door	14	50	50	622-22	.029 / .022
Calibration calculations for test door				620-20	
				618-18	
Comparative forces by calculation to determine maximum design pressure					
Max Door Size					
8 x 30	8	82.3	82.3	622-22	.029 / .022
9 x 30	9	82.3	82.3	622-22	.029 / .022
10 x 30	10	82.3	82.3	622-22	.029 / .022
11 x 30	11	82.3	82.3	622-22	.029 / .022
12 x 30	12	69.6	69.6	622-22	.029 / .022
13 x 30	13	58.4	58.4	622-22	.029 / .022
14 x 30	14	50.0	50.0	622-22	.029 / .022
15 x 30	15	43.4	43.4	622-22	.029 / .022
16 x 30	16	38.1	38.1	622-22	.029 / .022
17 x 30	17	33.9	33.9	622-22	.029 / .022
18 x 30	18	30.3	30.3	622-22	.029 / .022

Summary of Catenary Forces for alternative doors
 Compared to Element Materials Technology Report No.: ESP010181P-5, dated 08/21/13
 Rolling Steel Slat Door (Flat Slat)
 Test Door: 14'-0" wide x 10' high, Design Windload +/- 50 psf
 Static air pressure test conducted in accordance with ASTM E330-02 and DASMA 108-05

Design wind forces are calculated to produce catenary forces at the guides equal to or less than those calculated for the test door. This indicates that the curtain, windlocks, windlock connections, guide angles, and jamb anchorages will all be stressed to approximately the same as those in the test door, provided that the door is constructed the same for all opening widths.



4255 McEver Industrial Dr.
 Acworth, GA 30101
 PH: (770) 974-2600/Fax: (770) 974-1455
 www.astadoor.com

**600 SERIES INSULATED SLAT
 CERTIFIED WINDLOAD ROLLING
 STEEL SERVICE DOOR**

SCALE: VARIES (DO NOT SCALE DRAWINGS)
 TOLERANCES
 FRACTION = +/- 1/32
 .X = +/- .032
 .XX = +/- .015
 .XXX = +/- .005 < +/- 5
 DRAWN BY: BCLLC
 ISSUE: 12-02-14

TEST SIZE 14'-0"W x 10'H	DESIGN PRESSURE +/- 50.0 PSF	TEST PRESSURE +/- 75.0 PSF
MODELS 622-22 GAUGE 620-20 GAUGE 618-18 GAUGE	TEST LOCATION ELEMENT-ORLANDO 124 PREMIER ROAD ORLANDO, FL 32822	
DRAWING # 607-8CMU-600M		SHEET 3 OF 3