



Opera-GH Jackshaft Operator

Architectural Shop Drawing

Heavy-Duty Industrial Gear Head

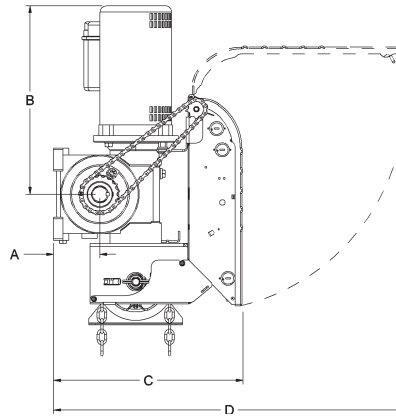
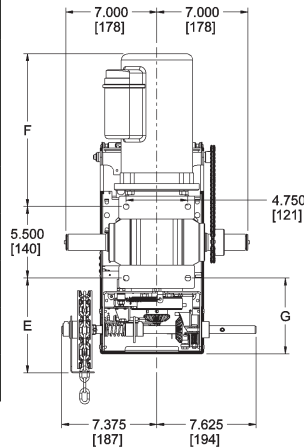
Project Details

Date: _____
 Drawing No.: _____
 Architect/Engineer: _____
 Customer: _____

Page: _____ of _____
 Project No.: _____
 Project Name: _____
 Contractor: _____

Dimensions & Ratings

Motor Amperage Rating					
HP	Voltage - Phase				
	115V - 1PH	230V - 1PH	208/230V - 3PH	460V - 3PH	575V - 3PH
1/2	8,0	4,0	2,2	1,1	-
3/4	10,4	5,2	2,8	1,4	1,1
1	13,4	6,7	3,4	1,7	1,4
1-1/2	18,6	9,3	4,8	2,4	1,9
2	-	-	6,2	3,1	2,5



	UP TO 1 HP	1.5 & 2 HP
A	3.000 [76]	3.500 [89]
B	13.625 MAX. [346]	14.875 MAX. [378]
C	14.000 [356]	14.625 [371]
D	26.500 [673]	27.125 [689]
E	7.250 [184]	7.375 [187]
F	10.875 MAX. [276]	12.125 MAX. [308]
G	5.750 [146]	5.875 [149]

Reg. T.M. 9141-0720 Québec Inc.

Ordering Specifications

Quantity: _____
 Horsepower: _____
 Phase: _____

Model: _____
 Volts: _____
 Hertz: _____

Door Type: _____
 Door Shaft Height: _____ H
 Amount of High Lift: _____ H
 Friction Clutch: _____

Door Width/Height: _____ W x _____ H
 Drive Sprocket: _____
 Drive Sprocket & Chain: _____
 Hand Chain: _____

Operator Nema Rating: _____
 3-Push Button Station Rating: _____

Qty 3-PB Station(s)/Operator: _____
 (One 3-PB station supplied/operator unless otherwise noted)

Motor Circuit Type: _____

Photo Cell Upgrade: _____
 (Nema-1 rating supplied unless otherwise noted)

Additional Equipment & Options

Refer to the operator's Specification Sheet and/or Wiring Diagram for General Information