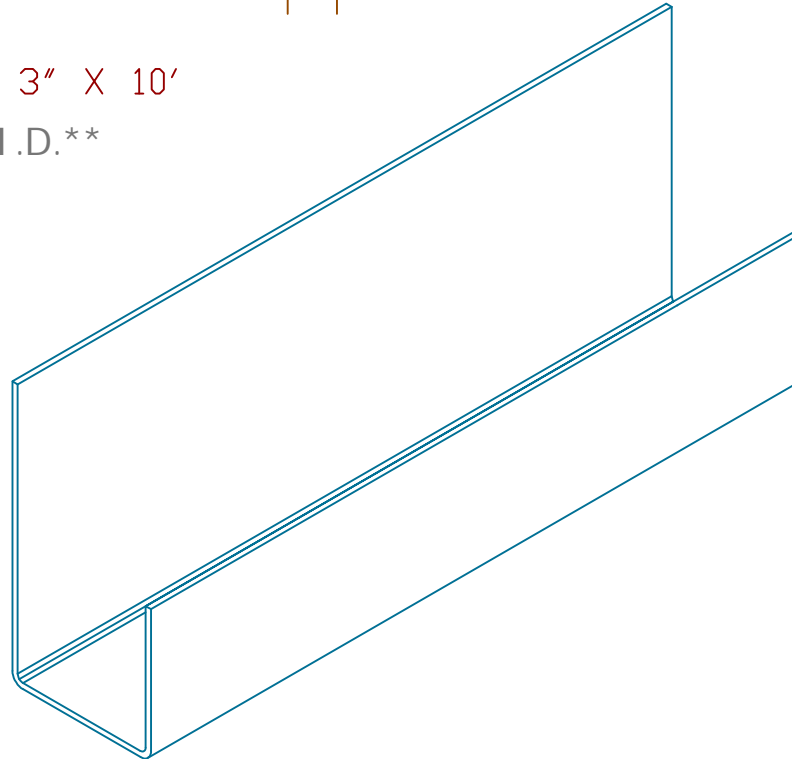


STRIP WIDTH & LENGTH: 3" X 10'

\*\*ALL DIMENSIONS I.D.\*\*



NOT TO SCALE

DATE: 3-1-02
DRAWN BY: BECKY NELSON
APPROVED BY: TODD NELSON

DRAWING: BOTTOM CHANNEL 20 GAUGE (.0315) F02140
---

JANUS INTERNATIONAL CORPORATION 134 EAST LUKE ROAD TEMPLE, GA 30179-4435 770-562-2850/Fax 770-562-2264 © 2005 Janus International Corporation All Rights Reserved
--