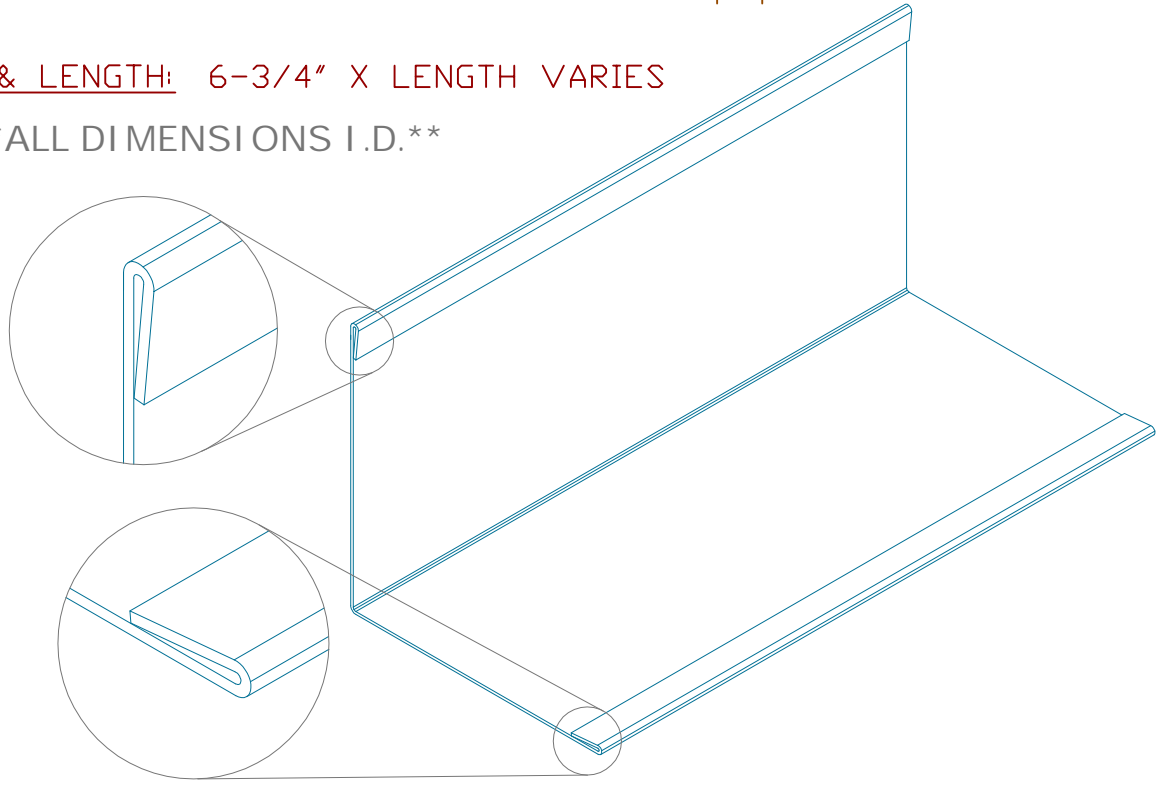


STRIP WIDTH & LENGTH: 6-3/4" X LENGTH VARIES

\*\*ALL DIMENSIONS I.D.\*\*



NOT TO SCALE

DATE: 1-6-05	REVISED
DRAWN BY: BECKY NELSON	
APPROVED BY: TODD NELSON	

DRAWING: C-ANGLE-90 DEGREES 20 GAUGE (.0315) F03020
---

JANUS INTERNATIONAL CORPORATION  
 134 EAST LUKE ROAD TEMPLE, GA 30179-4435  
 770-562-2850/Fax 770-562-2264  
 © 2005 Janus International Corporation All Rights Reserved