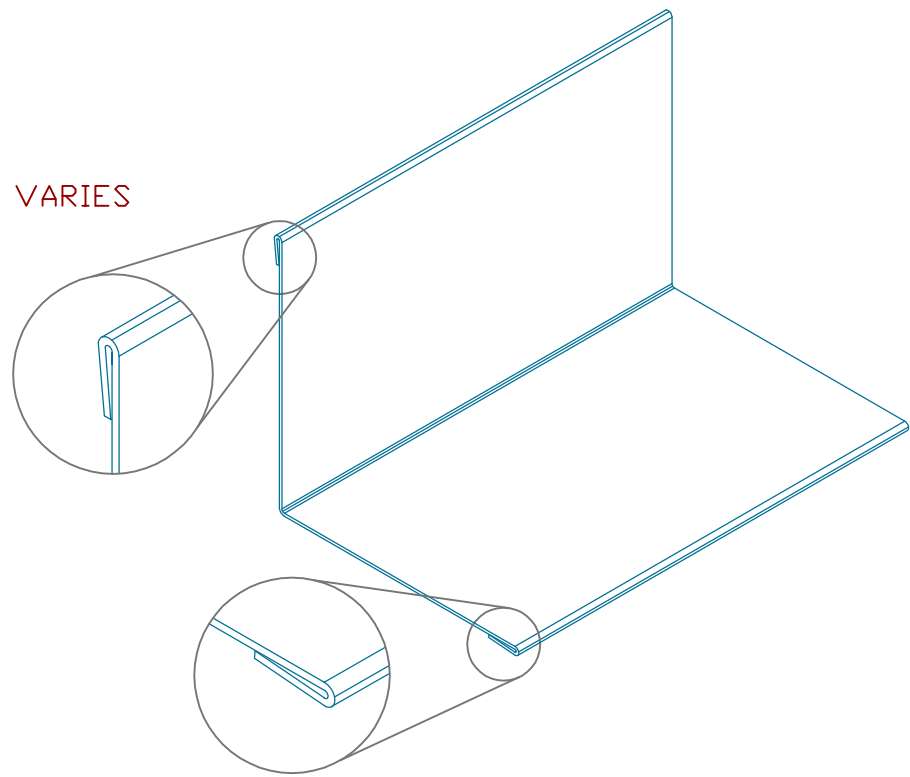


STRIP WIDTH & LENGTH: 6-3/4" X LENGTH VARIES

ALL DIMENSIONS I.D.



NOT TO SCALE

DATE: 1-6-05 REVISED
 DRAWN BY: BECKY NELSON
 APPROVED BY: TODD NELSON

DRAWING: INSIDE C-ANGLE-90
 20 GAUGE (.0315)
 F09020

JANUS INTERNATIONAL CORPORATION
 134 EAST LUKE ROAD TEMPLE, GA 30179-4435
 770-562-2850/Fax 770-562-2264
 © 2005 Janus International Corporation All Rights Reserved