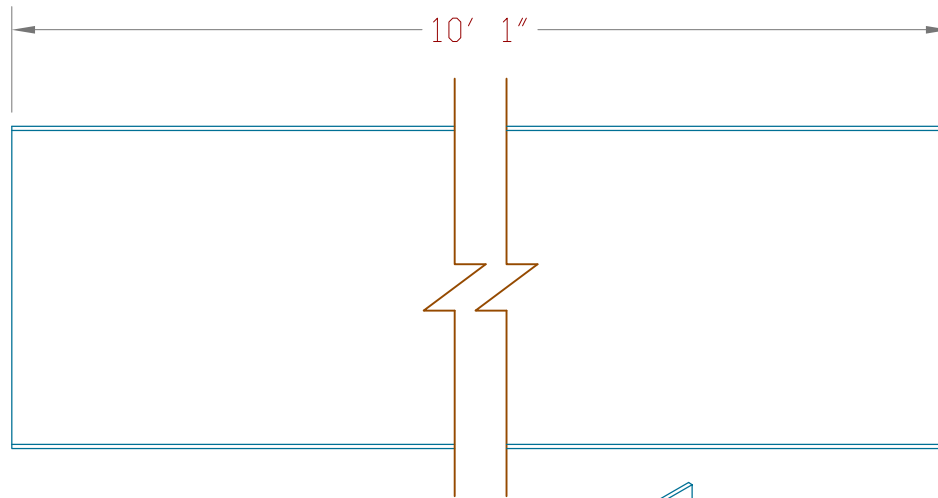
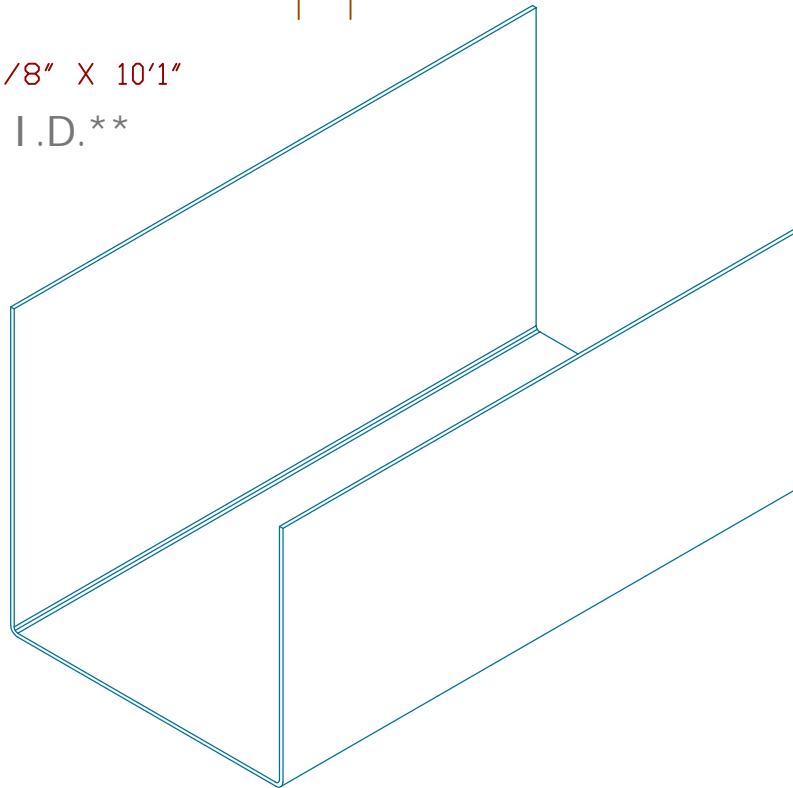


COLOR



STRIP WIDTH & LENGTH: 7-3/8" X 10'1"

ALL DIMENSIONS I.D.



NOT TO SCALE

DATE:	3-1-02
DRAWN BY:	BECKY NELSON
APPROVED BY:	TODD NELSON

DRAWING:	TOP CHANNEL
	20 GAUGE (.0315)
	F20040

JANUS INTERNATIONAL CORPORATION
134 EAST LUKE ROAD TEMPLE, GA 30179-4435
770-562-2850/Fax 770-562-2264
© 2005 Janus International Corporation All Rights Reserved