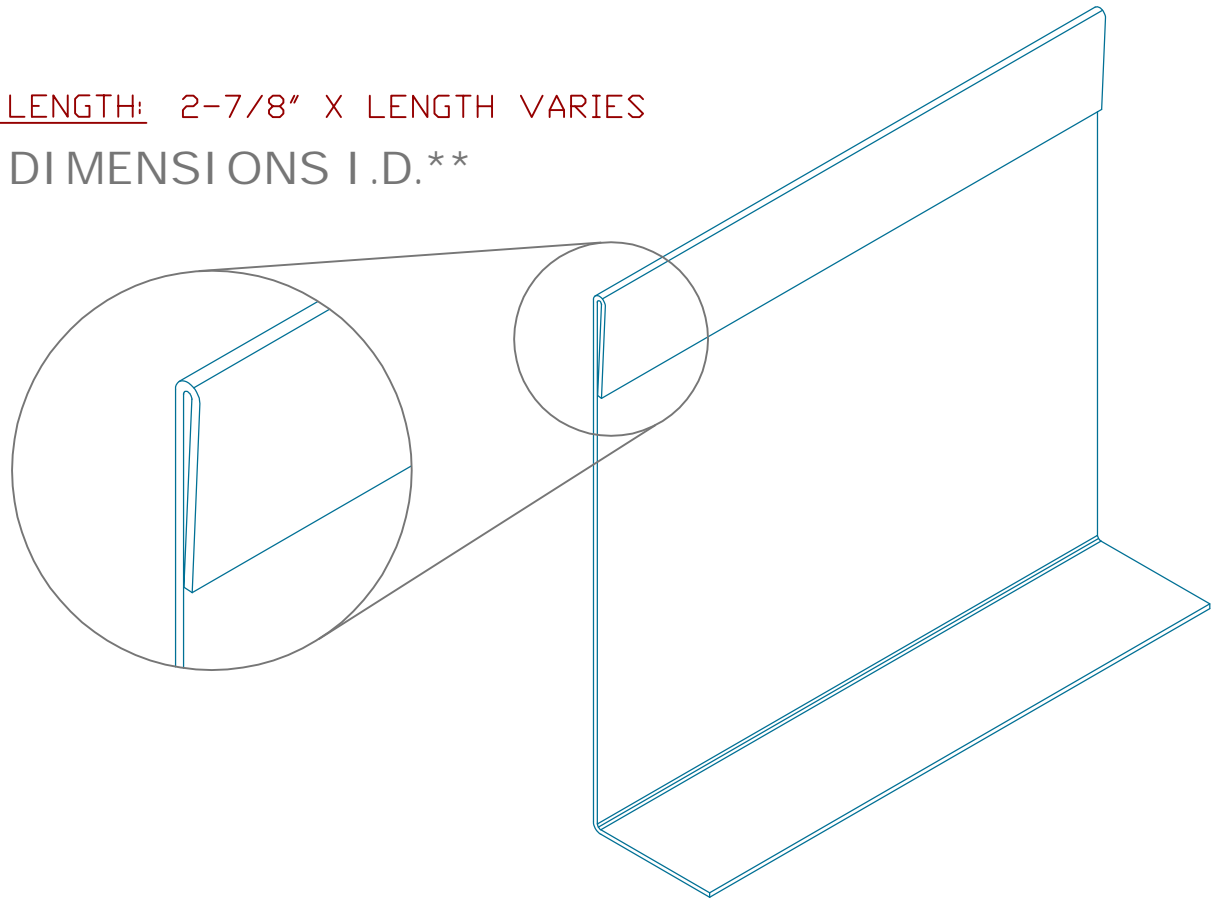


STRIP WIDTH & LENGTH: 2-7/8" X LENGTH VARIES

ALL DIMENSIONS I.D.



NOT TO SCALE

DATE: 7-19-02
DRAWN BY: BECKY NELSON
APPROVED BY: TODD NELSON

DRAWING: TRIM ANGLE 26 GAUGE (.017) F20080
--

JANUS INTERNATIONAL CORPORATION 134 EAST LUKE ROAD TEMPLE, GA 30179-4435 770-562-2850/Fax 770-562-2264 © 2005 Janus International Corporation All Rights Reserved
--