



**JANUS**  
INTERNATIONAL GROUP

**JANUS INTERNATIONAL GROUP LLC**

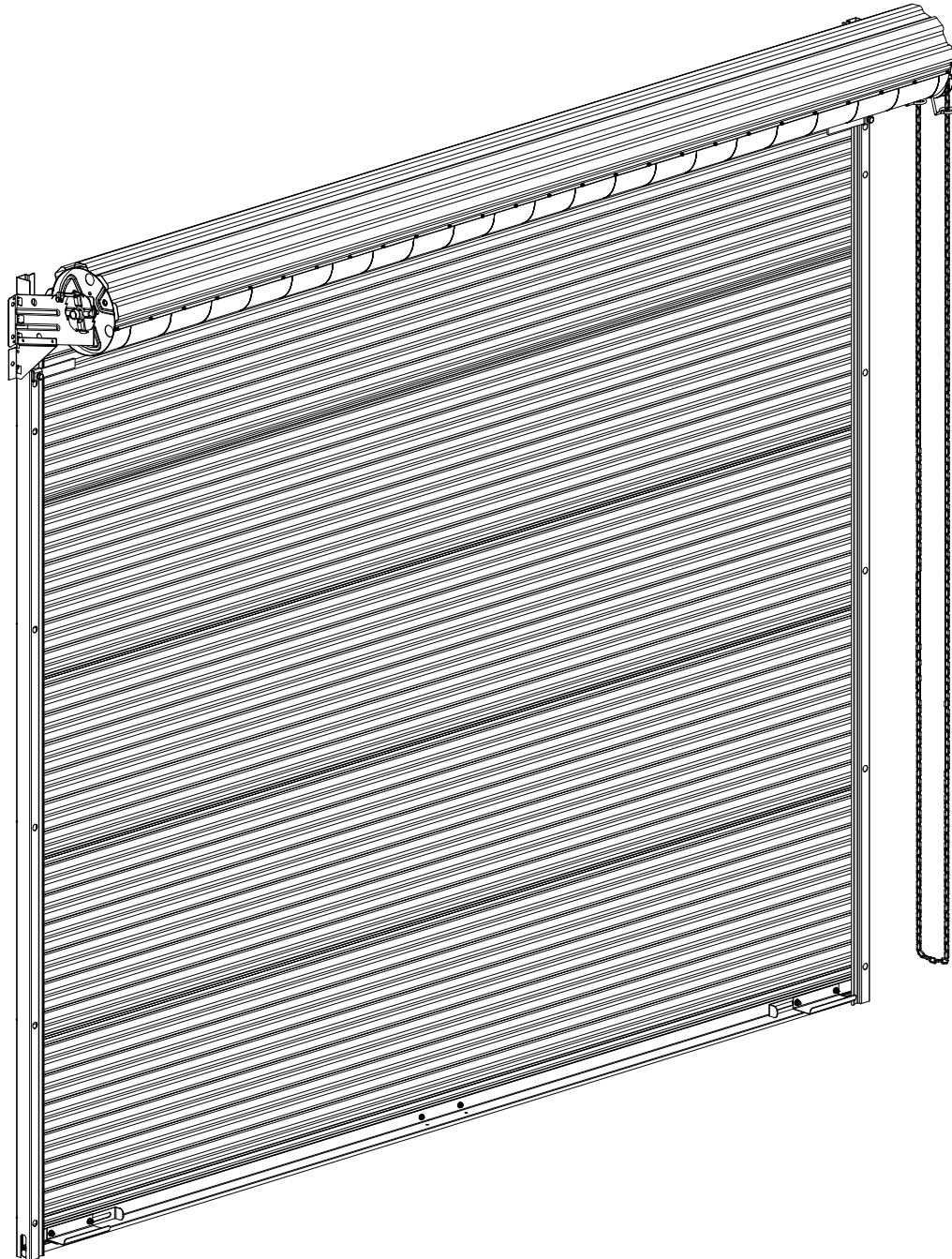
135 JANUS INTERNATIONAL BLVD.  
TEMPLE, GA 30179  
PHONE 770-562-2850 / FAX 770-562-1991

[www.janusintl.com](http://www.janusintl.com)

## 1000 INSTALLATION GUIDE

Rev. Date: 11/09/2021

810006-0000



### IMPORTANT INFORMATION

JANUS INTERNATIONAL DOORS MUST BE INSTALLED BY TRAINED ROLLING DOOR TECHNICIANS QUALIFIED TO INSTALL PRODUCT SAFELY WITH PROPER KNOWLEDGE, TOOLS, SAFETY AND INSTALLATION EQUIPMENT. CAREFULLY READ INSTALLATION INSTRUCTIONS. FAMILIARIZE YOURSELF WITH ALL INSTALLATION PROCEDURES, WARNINGS, CAUTIONS, AND NOTES BEFORE ATTEMPTING TO INSTALL DOOR. JANUS INTERNATIONAL CORPORATION WILL NOT WARRANTY OR ACCEPT RESPONSIBILITY FOR DOORS NOT INSTALLED PER THESE INSTALLATION INSTRUCTIONS.

## **- IMPORTANT SAFETY INFORMATION -**

- CAREFULLY READ INSTALLATION INSTRUCTIONS. FAMILIARIZE YOURSELF WITH ALL INSTALLATION PROCEDURES, WARNINGS, CAUTIONS, AND NOTES BEFORE ATTEMPTING TO INSTALL DOOR.
- INSPECT RECEIVED DOOR ASSEMBLY FOR VISIBLE DAMAGE AND/OR COMPONENT SHORTAGES.
  - a. SHIPPING DAMAGE: FILE DAMAGE CLAIM IMMEDIATELY WITH FREIGHT CARRIER. SUPPLY DOOR SUPPLIER WITH PHOTO DOCUMENTATION TO RECEIVE REPLACEMENT COMPONENTS.
  - b. PART SHORTAGE: IMMEDIATELY CONTACT DOOR SUPPLIER WITH PARTS SHORTAGE CLAIM. ORDER NUMBER, DOOR MODEL, PHOTO DOCUMENTATION ARE ENCOURAGED TO EXPEDITE PROCESS.
  - c. INCORRECT PARTS: IF RECEIVED DOOR COMPONENTS AND PARTS DO NOT MATCH THOSE REFERENCED IN THESE INSTALLATION INSTRUCTIONS, IMMEDIATELY CONTACT DOOR SUPPLIER.
- IF AT ANY TIME BEFORE OR DURING INSTALLATION YOU ARE UNFAMILIAR, UNCOMFORTABLE, OR CONFUSED BY INSTALLATION PROCEDURES OUTLINED IN THESE INSTALLATION INSTRUCTIONS DO NOT ATTEMPT TO INSTALL DOOR ASSEMBLY. IMMEDIATELY CONTACT DOOR SUPPLIER WITH QUESTIONS/CONCERNS.

**JANUS INTERNATIONAL DOORS MUST BE INSTALLED BY TRAINED ROLLING DOOR TECHNICIANS QUALIFIED TO INSTALL PRODUCT SAFELY WITH PROPER KNOWLEDGE, TOOLS, SAFETY AND INSTALLATION EQUIPMENT.**

## **- READ ALL WARNINGS BELOW -**

- USE APPROPRIATE SAFETY EQUIPMENT TO AVOID SERIOUS INJURY.
- CLEAR FLOOR AT OPENING OF ALL DEBRIS BEFORE INSTALLING PRODUCT.
- USE APPROPRIATE LIFTING EQUIPMENT AND CORRECT LIFTING PROCEDURES TO AVOID DAMAGE, SERIOUS INJURY OR DEATH.
- MOVING DOOR COULD RESULT IN DEATH OR SERIOUS INJURY. DO NOT CLOSE DOOR UNTIL DOORWAY IS CLEAR.
- CONTROL THE SPEED OF THE DOOR DURING MANUAL OPERATION.
- DO NOT STAND OR WALK UNDER A MOVING DOOR.
- KEEP DOORWAY CLEAR AND IN FULL VIEW WHILE OPERATING DOOR.
- DO NOT PERMIT CHILDREN TO PLAY ON, NEAR, OR WITH DOOR, OR OPERATE DOOR CONTROLS.
- UNLOCK DOOR BEFORE OPENING DOOR.
- SENSING DEVICES ON MOTOR OPERATING DOORS SHOULD BE TESTED FREQUENTLY.
- VISUALLY INSPECT DOOR AND HARDWARE MONTHLY FOR WORN AND/OR BROKEN PARTS AND CHECK IF DOOR OPERATES FREELY. DO NOT OPERATE A DOOR WITH A BROKEN SPRING.
- COMPONENTS ARE UNDER EXTREME SPRING TENSION COULD RESULT IN DEATH OR SERIOUS INJURY.
- DOOR MUST BE FULLY OPENED WHEN MAKING ADJUSTMENTS.

► **Retain these instructions for reference.**

► **Operation & Maintenance Manual available via pdf download at [www.janusintl.com](http://www.janusintl.com) or upon request.**

# HANDLE WITH CARE - DO's & DON'T's

## DO's

- CAREFULLY INSPECT ALL PRODUCT FOR DAMAGE UPON RECEIPT.
- USE PROTECTIVE FOAM BETWEEN PRODUCT AND ANY SURFACE OR OBJECT IT MAY COME INTO CONTACT WITH WHILE IN TRANSIT AND/OR STORAGE.
- WHEN SECURING PRODUCT FOR TRANSIT, USE FOAM BARRIER BETWEEN PRODUCT AND STRAPS, ROPES, ETC.
- CAREFULLY UNLOAD PRODUCT FROM ANY TYPE OF CRATING MATERIAL ASSURING NO CONTACT WITH FASTENERS OR SHARP EDGES.
- CLEAR FLOOR AT OPENING OF ALL DEBRIS BEFORE INSTALLING PRODUCT.
- SINGLE PERSON LIFTING OF PRODUCT COULD CAUSE INJURY. USE ASSISTANCE WHEN MOVING OR LIFTING.
- INSTALL PRODUCT WITH APPROPRIATE LIFTING EQUIPMENT ASSURING A PROTECTIVE BARRIER IS MAINTAINED BETWEEN PRODUCT AND ANY SURFACE OR OBJECT IT MAY COME INTO

## DON'T's

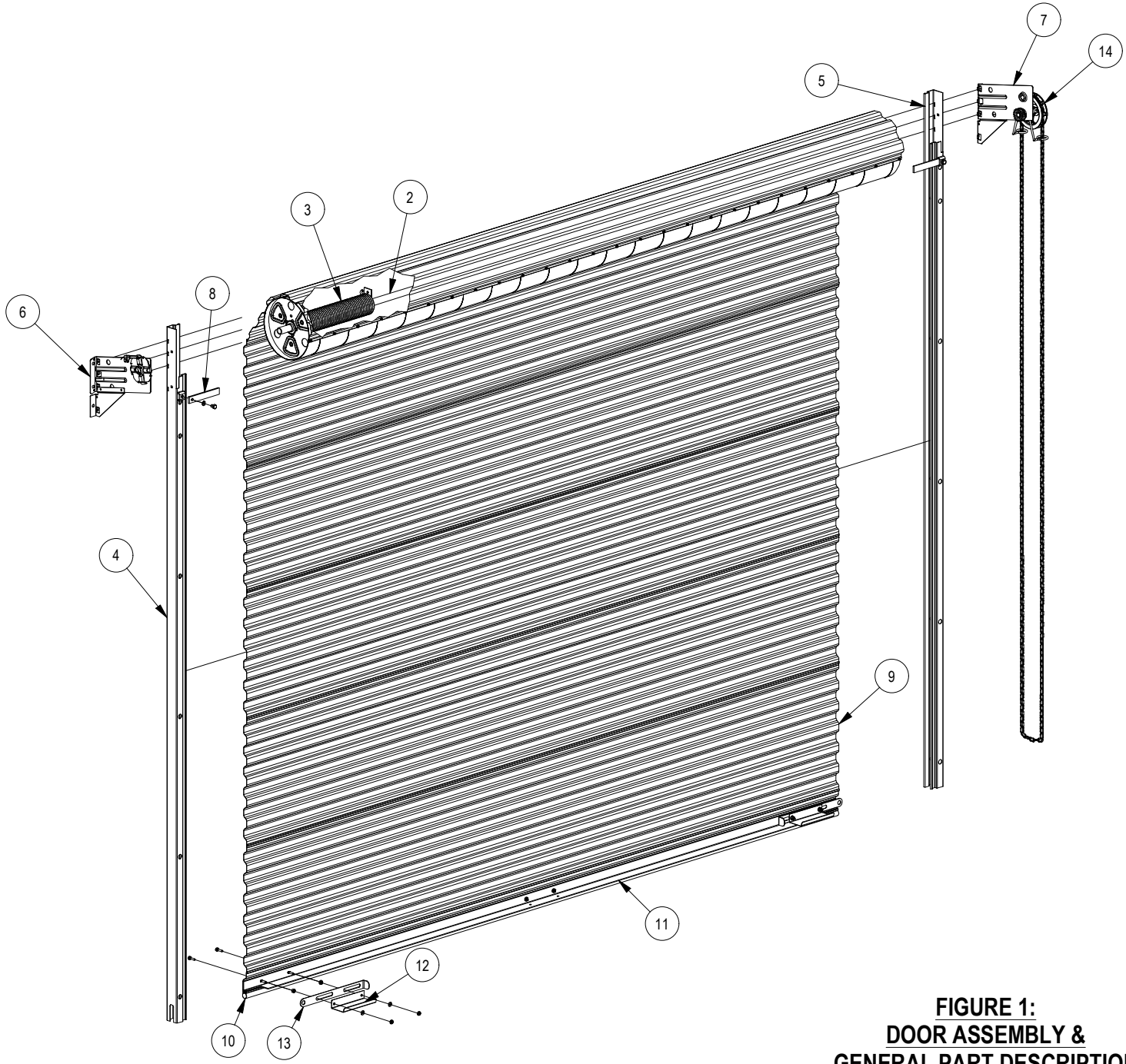
- DO NOT - STAND ON PRODUCT.
- DO NOT - CLIMB ON PRODUCT.
- DO NOT - WALK ON PRODUCT.
- DO NOT - DROP PRODUCT.
- DO NOT - SLIDE PRODUCT ACROSS ANY SURFACE.
- DO NOT - THROW OR TOSS PRODUCT.
- DO NOT - SET OR STACK PRODUCT ON GRAVEL, DEBRIS, OR UNEVEN SURFACES.
- DO NOT - ALLOW SHARP OBJECTS TO COME IN CONTACT WITH PRODUCT.
- DO NOT - LEAVE PRODUCT UNSECURED WHILE IN TRANSIT OR DURING INSTALLATION.

**FAILURE TO ADHERE TO THE ABOVE CONDITIONS WILL RESULT IN PERSONAL INJURY OR PRODUCT DAMAGE NOT COVERED UNDER JANUS INTERNATIONAL PRODUCT WARRANTY. ALWAYS HANDLE PRODUCT WITH CARE, AND REVIEW ALL INSTRUCTIONS, WARNINGS, AND NOTES BEFORE INSTALLING PRODUCT.**

**REVIEW DOOR ASSEMBLY AND GENERAL PARTS DESCRIPTIONS BILL OF MATERIAL FROM PAGE 4, FIGURE 1 TO FAMILIARIZE YOURSELF WITH COMMON PARTS OF ROLLING SHEET DOOR ASSEMBLY.**

**DOOR ASSEMBLIES ARE MANUFACTURED PER OPENING WIDTHS AND HEIGHTS SPECIFIED AT TIME OF ORDER. JANUS INTERNATIONAL WILL NOT BE HELD RESPONSIBLE FOR OPENING WIDTHS OR HEIGHTS THAT DO NOT MATCH THOSE SPECIFIED AT TIME OF ORDER.**

# DOOR ASSEMBLY & GENERAL PART DESCRIPTIONS



**FIGURE 1:  
DOOR ASSEMBLY &  
GENERAL PART DESCRIPTION**

\*Operation & Maintenance Manual available via pdf download @ [www.janusintl.com](http://www.janusintl.com) or upon request\*

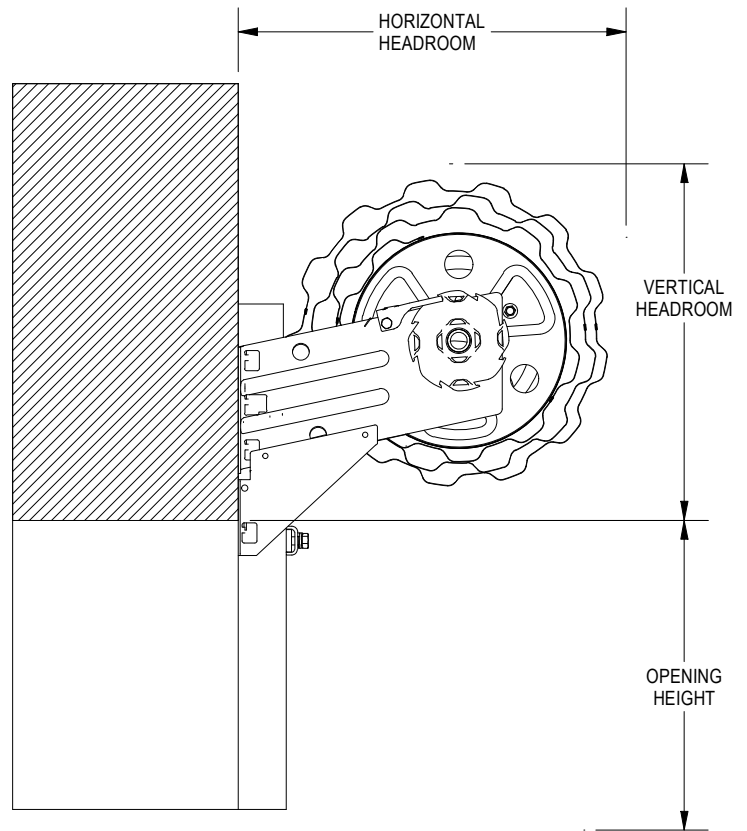
### GENERAL BILL OF MATERIALS

ITEM	DESCRIPTION / PART NUMBER	ITEM	DESCRIPTION / PART NUMBER	ITEM	DESCRIPTION / PART NUMBER
1	9 1/2" Spiral Barrel	7	RH, 12Ga, Mini, Ext, HD Bracket	13	Comm. Slide Lock
2	1" O.D. Axle	8	Comm. Headstop	14	Chain Hoist Assembly(Optional)
3	Spring/Counterbalance Assembly	9	26 Ga. Corrugate Curtain	15	-
4	LH, 16Ga, Comm. Guide	10	Astragal	16	-
5	RH, 16Ga, Comm. Guide	11	Bottom Bar Assembly	17	-
6	LH, 12Ga, Mini, Ext, HD Bracket	12	Comm. Step Plate	18	-

## HEADROOM/SIDEROOM DIMENSIONAL REFERENCES

**FIGURE 2: HEADROOM REQUIREMENT CHART**

HEADROOM REQUIREMENT		
OPENING HEIGHT	VERTICAL HEADROOM	HORIZONTAL HEADROOM
THRU 8'-0"	18"	17 1/2"
OVER 8'-0" THRU 10'-0"	18 1/2"	17 3/4"
OVER 10'-0" THRU 12'-0"	18 3/4"	18"
OVER 12'-0" THRU 14'-0"	19"	18 1/2"

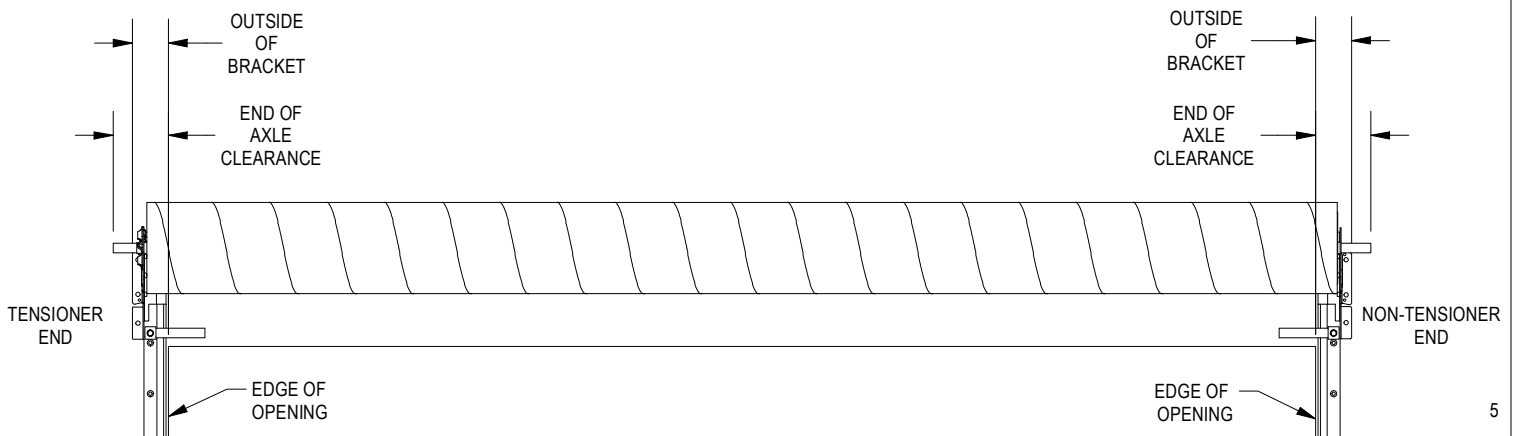


**FIGURE 3: SIDE ROOM CLEARANCE REQUIREMENT CHART**

SIDEROOM CLEARANCE REQUIREMENT					
OPERATION	OUTSIDE OF BRACKET TENSIONER END	OUTSIDE OF BRACKET DRIVE END	OUTSIDE OF HAND CHAIN	END OF AXLE - TENSIONER END	END OF AXLE - DRIVE END
PUSH-UP	4"	4"	-	4"	4"
REDUCED HAND CHAIN	4"	4"	5 1/2"	4"	4"
PANTHEON	4"	4"	-	4"	4"
ATA OPERATORS	4"	6 3/4"	-	4"	6 3/4"

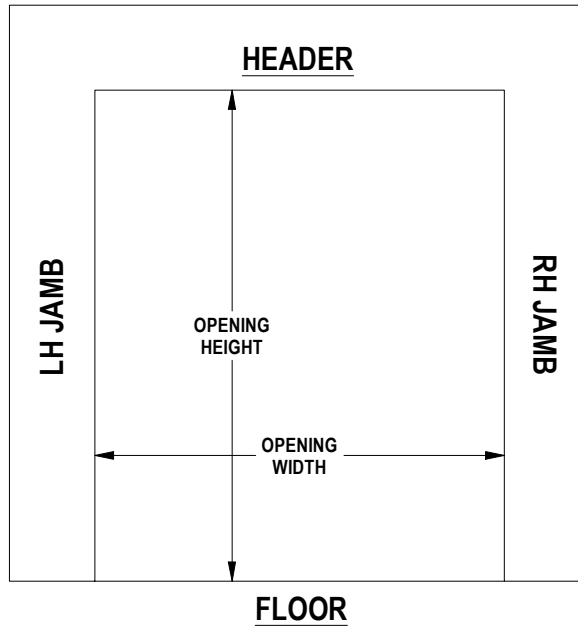
**IMPORTANT NOTES:**

- DIMENSIONS ARE REFERENCED FROM THE EDGE OF THE OPENING.
- FOR CRITICAL FITS DUE TO REDUCED AVAILABLE HEADROOM OR SIDEROOM CLEARANCES, CONSULT FACTORY.



## STEP 1: WALL OPENING

- ▶ Check wall opening width and height and verify these measurements against size of door to be installed.
- ▶ Verify that jambs are plumb.
- ▶ Check floor and header for level.
- ▶ Check for adequate side clearance at jambs and clearance above and at sides of header. Check verticle and horizontal headroom requirements. **See Figures 2 & 3** for minimum requirements.
- ▶ Verify that guide mounting surface on jamb is flush.
- ▶ Make sure all parts required for installation are with the door.

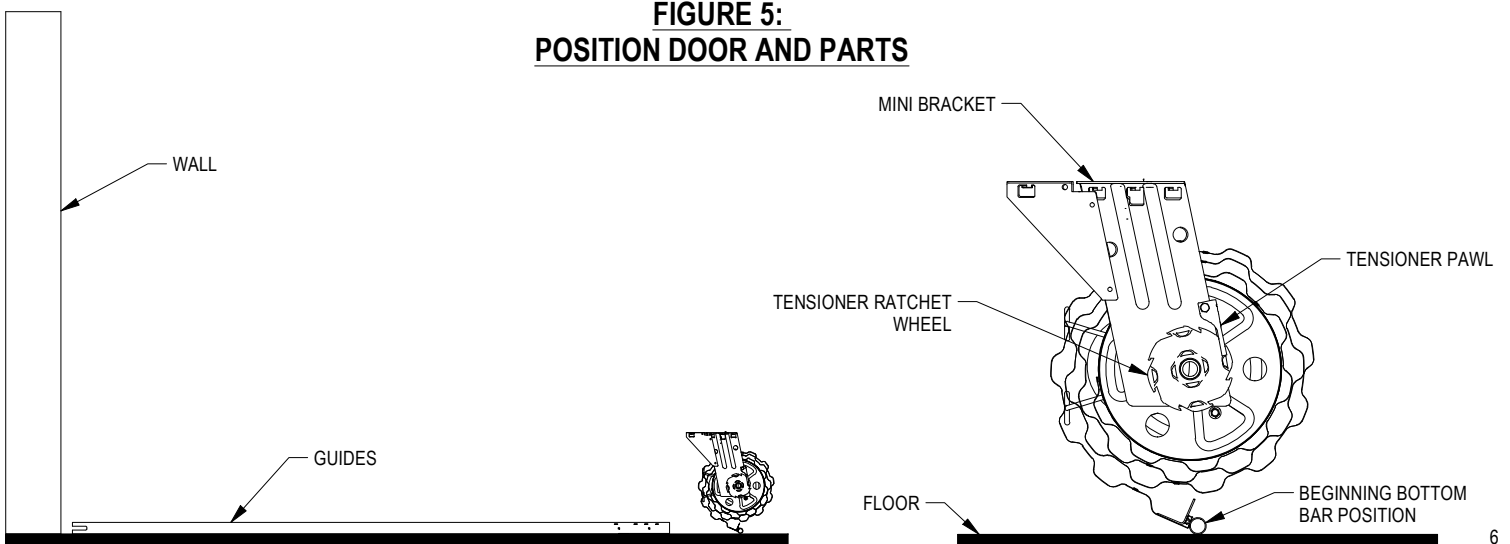


**FIGURE 4:  
WALL OPENING**

## STEP 2: POSITION DOOR & PARTS

- ▶ Verify floor area is clean in order to prevent damage to curtain.
- ▶ Inside of the building, place left guide on floor perpendicular to opening with guide bottom close to left jamb and the top towards the inside of the building. Repeat step on the right side.
- ▶ Place door on floor at top of and between the guides. Rotate door as necessary to locate bottom bar against floor. See **Figure 5**.
- ▶ Distribute hardware parts to appropriate areas.

**FIGURE 5:  
POSITION DOOR AND PARTS**



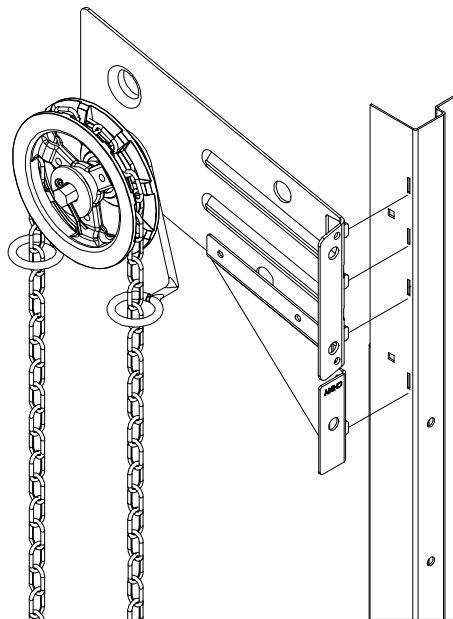
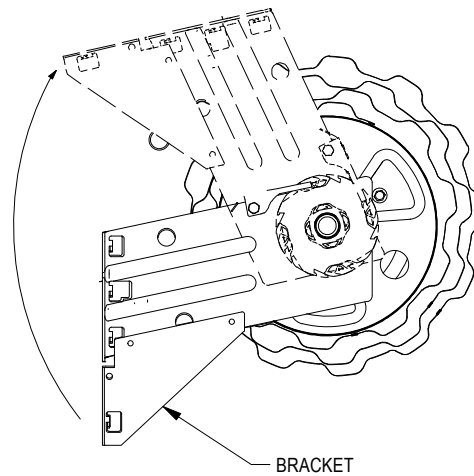
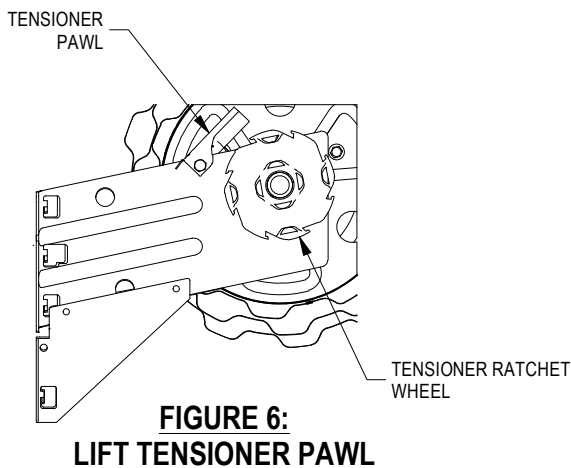
### STEP 3: EXTENDED MINI BRACKETS TO GUIDES:

- ▶ At tensioner end of door, lift flange on tensioner pawl until end of pawl clears the tensioner ratchet wheel (**Figure 6**). Rotate bracket in order to position short leg end upwards (**Figure 7**). Release flange on pawl and allow end to engage with the nearest tooth on the ratchet wheel.
- ▶ Bring top end of guide in alignment with bracket and insert tabs on bracket into tab slots in guide (**Figure 8**).
- ▶ Slide bracket and guide together until locking tab in guide fully engages notches in bracket.
- ▶ If locking tab does not fully engage with bracket notch, use hammer and punch to bend tab into bracket notch.
- ▶ Repeat above steps for non tensioner bracket guide. The bracket will need to be held in position.

**WARNING!**  
ENSURE TENSIONER PAWL IS FULLY ENGAGED WITH TENSIONER RACHET WHEEL TOOTH. SEE FIGURE 6 FOR VISUAL REFERENCE.

#### NOTE:

- ▶ FOR PANTHEON INSTALLATION GUIDE, SEE PAGE 15.
- ▶ FOR ATA OPERATOR INSTALLATION GUIDE, SEE PAGE 16.

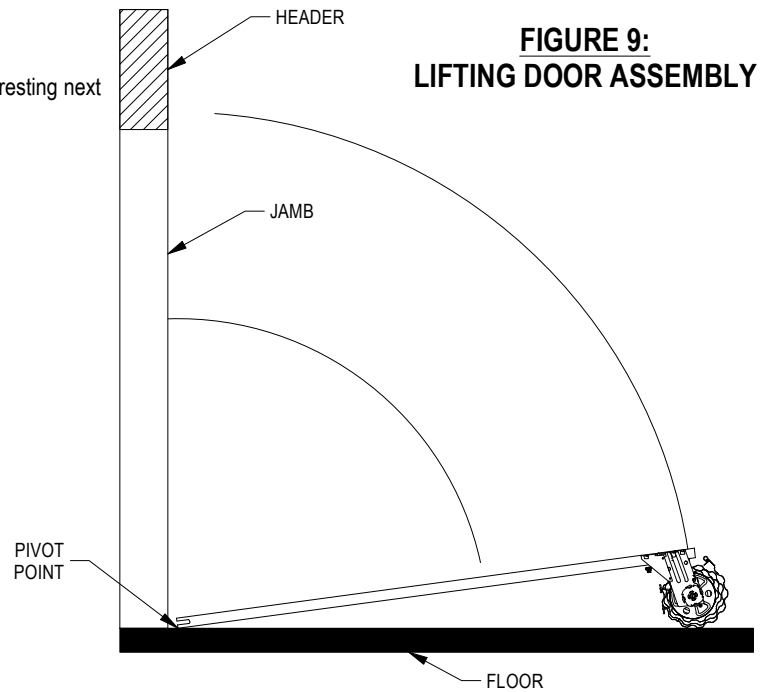


**FIGURE 8:  
SNAP ON BRACKET**

**WARNING!**  
LOCKING TAB IN GUIDE MUST FULLY ENGAGE WITH NOTCH IN BRACKET. FAILURE TO DO SO MAY ALLOW THE DOOR TO FALL DURING INSTALLATION, WHICH CAN CAUSE SERIOUS INJURY OR DEATH AND/OR DAMAGE TO DOOR.

## STEP 4: LIFTING DOOR ASSEMBLY

- ▶ Move door and guide assemblies toward wall opening with bottom of guide resting next to jambs.
- ▶ Lift door assembly evenly, pivoting around bottom of guides (**Figure 9**).



**FIGURE 9:  
LIFTING DOOR ASSEMBLY**

### NOTE:

- ▶ DOORS OVER 8'-0" HIGH WILL REQUIRE A MECHANICAL LIFTING DEVICE TO LIFT DOOR & GUIDES INTO MOUNTING POSITION.
- ▶ ANY MECHANICAL LIFTING DEVICE SUCH AS FORKLIFTS OR GENIE LIFTS, MUST BE PADDED TO PREVENT CURTAIN DAMAGE.

### WARNING!

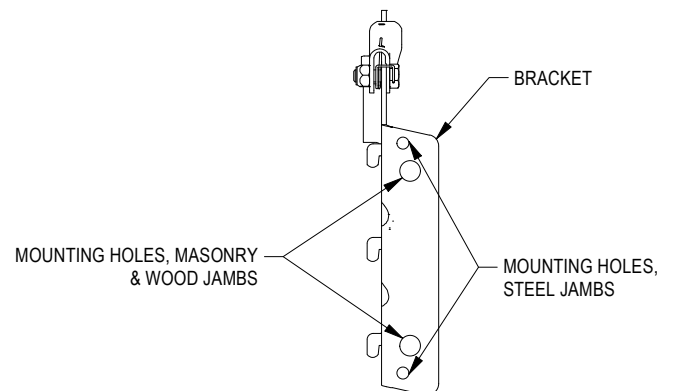
TWO INSTALLERS ARE REQUIRED TO LIFT DOOR ASSEMBLY INTO POSITION AGAINST JAMBS. THE GUIDES ARE NOT DESIGNED TO SUPPORT THE DOOR WEIGHT DURING A ONE MAN INSTALLATION. ATTEMPTING INSTALLATION WITH ONLY ONE INSTALLER CAN RESULT IN SERIOUS INJURY AND/OR DAMAGE TO DOOR. DO NOT LEAVE DOOR UNATTENDED UNTIL IT IS SECURELY ATTACHED TO JAMBS.

### NOTE:

FOR OPENING HEIGHTS OVER 8'-8", CLAMP BOTTOM OF BRACKETS TO GUIDES WITH LOCKING PLIERS IN ORDER TO ENSURE RIGIDITY OF TOP OF GUIDE WHILE LIFTING. REMOVE PLIERS AFTER SECURING BRACKETS TO JAMBS.

## STEP 5: GUIDES & BRACKETS TO JAMB

- ▶ Attach brackets & guides to jambs using fasteners shown in **Table 1 on page 9**.
- ▶ The guides should be mounted centered about the opening and spaced curtain width + 1". This spacing is measured from back of guide to back of guide. Both guides must be plumb. **See figures on page 9**.
- ▶ The appropriate fasteners must be installed at each hole location in brackets & guides. **See figure 10**.



**FIGURE 10:  
FASTENER PLACEMENT**

### WARNING!

DOOR CAN FALL IF BOTH BRACKETS ARE NOT SECURELY FASTENED TO THE JAMBS. ALL FASTENERS ATTACHING BRACKETS TO JAMBS MUST FIT SECURELY INTO A STRUCTURAL MEMBER OR SURFACE. IF DOOR FALLS, SERIOUS INJURY OR DEATH AND/OR DAMAGE TO DOOR CAN RESULT.



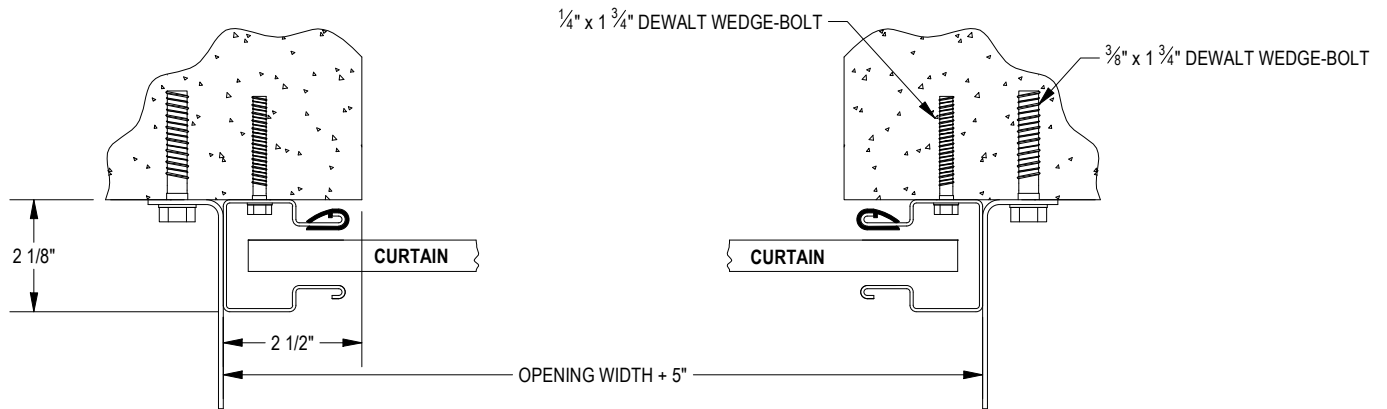
## STEP 5: GUIDES & BRACKETS TO JAMB (CONTINUED)

<b>TABLE 1: WALL FASTENERS FOR JAMB ATTACHEMENT OF BRACKETS TO GUIDES</b>			
ITEM	JAMB	FASTENERS	DRILL SIZE
BRACKETS	STEEL	1/4" x 1" TEKS SCREW	-
BRACKETS	CONCRETE/FILLED CMU	3/8" x 1 3/4" DEWALT WEDGE-BOLT+ SCEW ANCHORS	3/8"
BRACKETS	WOOD	3/8" x 3" LAG SCREW	-
GUIDES	STEEL	1/4" x 1" TEKS SCREW	-
GUIDES	CONCRETE/FILLED CMU	1/4" x 1 3/4" DEWALT WEDGE-BOLT+ SCEW ANCHORS	1/4"
GUIDES	WOOD	1/4" x 2" LAG SCREW	-

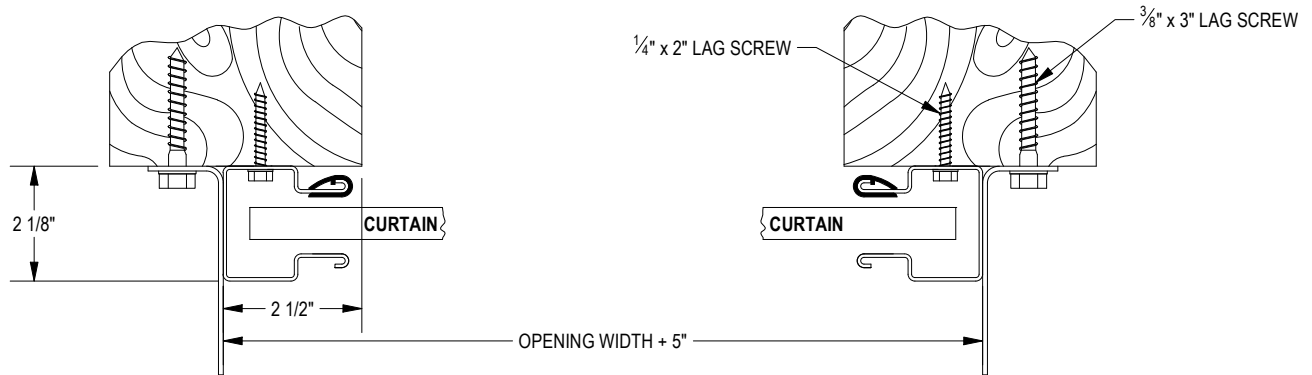
### WARNING!

DOOR CAN FALL IF BOTH BRACKETS ARE NOT SECURELY FASTENED TO THE JAMBS. ALL FASTENERS ATTACHING BRACKETS TO JAMBS MUST FIT SECURELY INTO A STRUCTURAL MEMBER OR SURFACE. IF DOORS FALLS, SERIOUS INJURY OR DEATH AND/OR DAMAGE TO DOOR CAN RESULT.

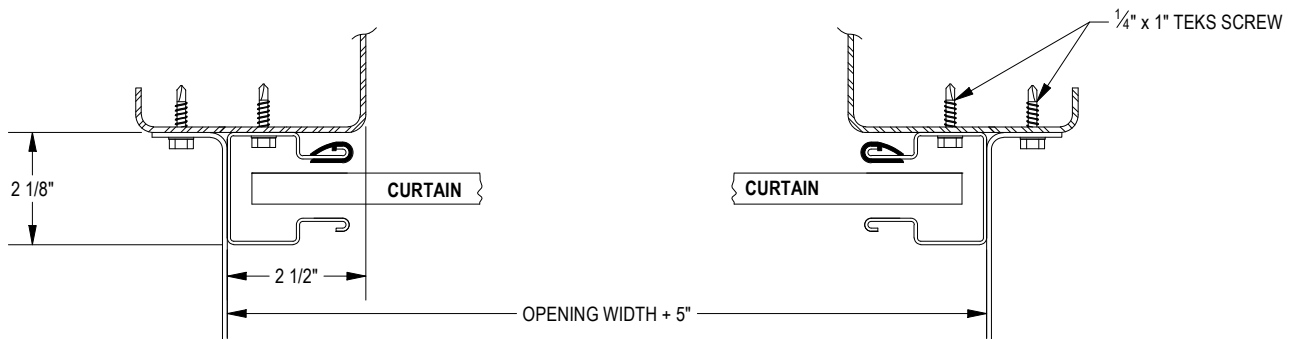
### GUIDE MOUNTINGS ARE DICTATED BY APPLICATION AND JAMB TYPE



**FIGURE 11: CONCRETE/FILLED CMU**



**FIGURE 12: WOOD JAMBS**

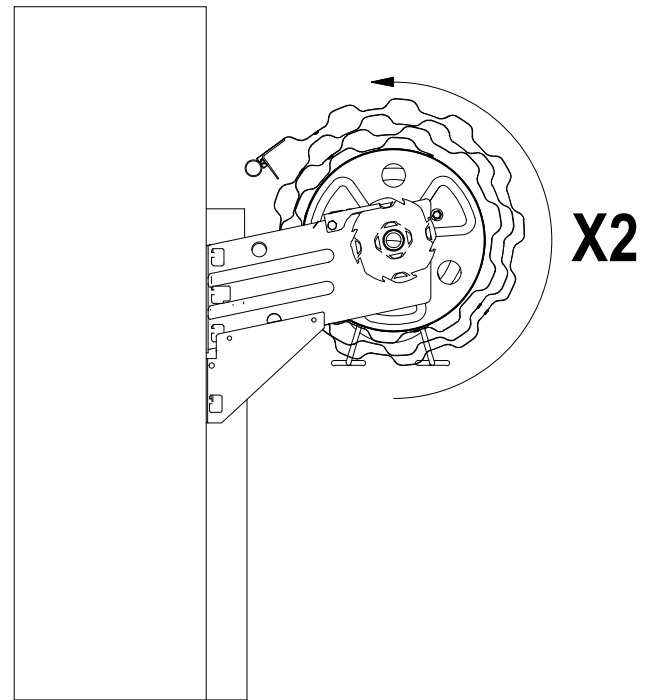
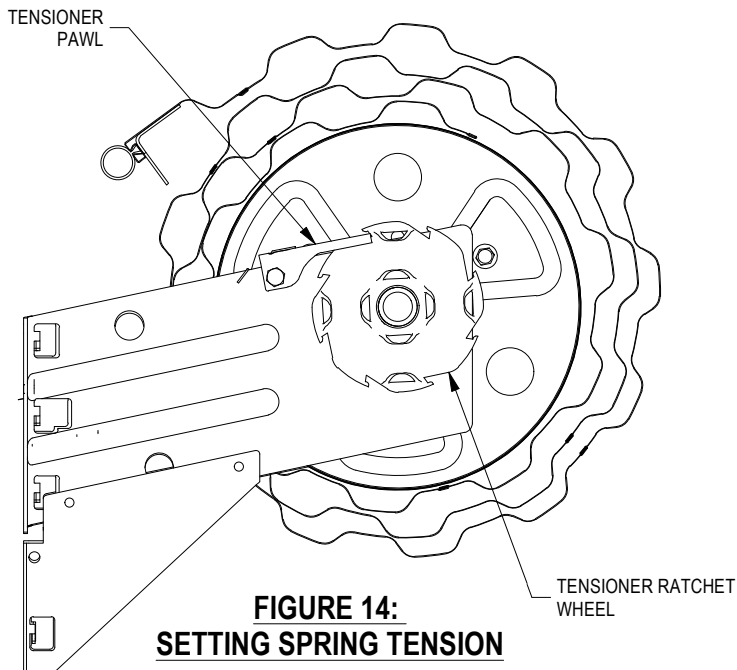


**FIGURE 13: STEEL JAMBS**

**NOTE:**  
WELDING OF GUIDES TO THE JAMBS IS NOT RECOMMENDED.

## STEP 6: SETTING INITIAL SPRING TENSION

- ▶ Before applying initial spring tension, ensure tensioner pawl is fully engaged with tensioner ratchet wheel tooth. **See Figure 14** below for visual reference.
- ▶ Rotate door two (2) revolutions in the direction that would send the bottom bar down through the guides.
- ▶ While firmly holding the door at the bottom bar, cut the tape and plastic wrap that holds the door in a coil. Direct the bottom bar down into the guides, stopping just past the head stop area and hold securely through completion of **Step 7**.



**FIGURE 14:  
SETTING SPRING TENSION**

### **WARNING!**

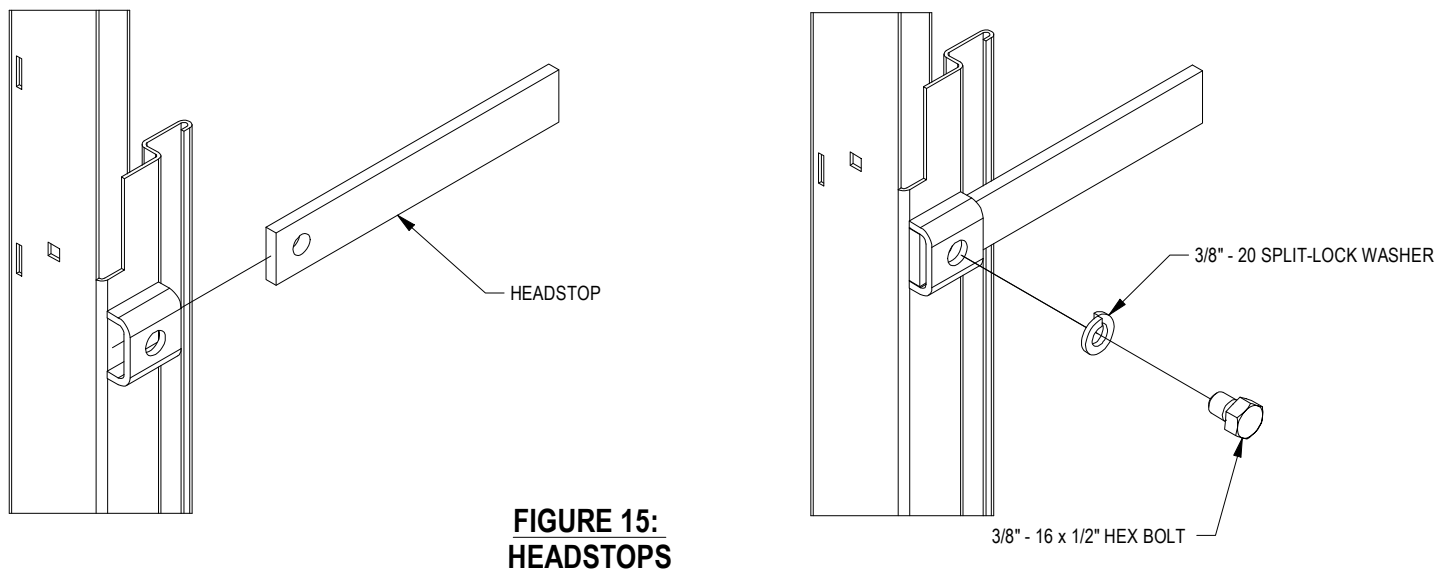
EXTREME SPRING TENSION CAN CAUSE SERIOUS INJURY OR DEATH. INSTALLATION, REPAIRS, AND ADJUSTMENTS MUST BE MADE BY A TRAINED ROLLING SERVICE DOOR SYSTEM TECHNICIAN USING PROPER TOOLS AND INSTRUCTIONS.  
**DOOR MUST BE FULLY OPENED WHEN MAKING ADJUSTMENTS.**

### **WARNING!**

ENSURE TENSIONER PAWL IS FULLY ENGAGED WITH TENSIONER RATCHET WHEEL TOOTH.

## STEP 7: HEADSTOPS

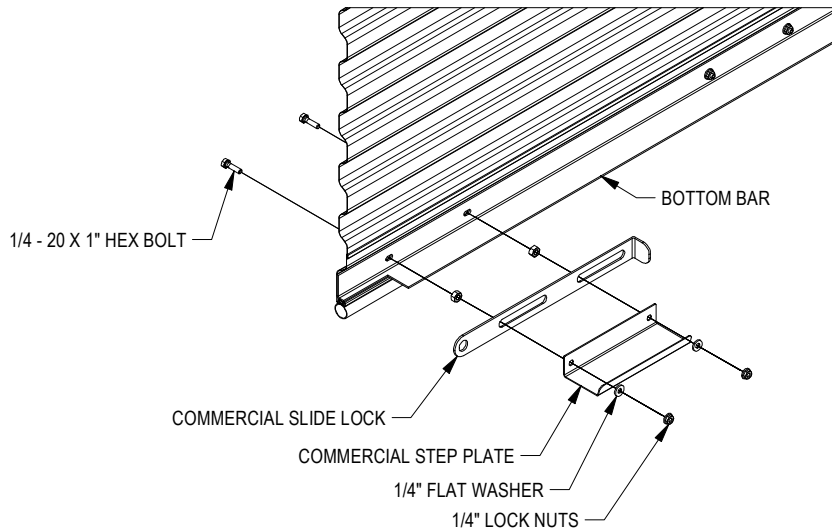
- ▶ Secure each headstop to guide with 3/8" - 20 Split-Lock Washer and 3/8" - 16 x 1/2" Hex Bolt. **See Figure 15**.



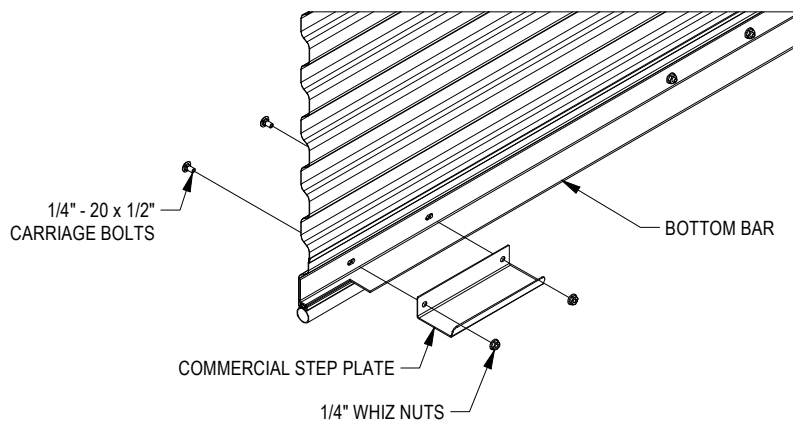
**FIGURE 15:  
HEADSTOPS**

## STEP 8: STOP CLIPS & SLIDE LOCKS

- ▶ For a chain hoist operated door, install commercial step plates and commercial slide locks at each end on inside of bottom bar. **See Figure 16.**
- ▶ For motor operated door, install commercial step plates only. **See Figure 17.**



**FIGURE 16:**  
**COMMERCIAL STEP PLATES AND SLIDE LOCKS**



**FIGURE 17:**  
**COMMERCIAL STEP PLATES**

### **WARNING!**

INSTALLATION OF COMMERCIAL STEP PLATES ARE REQUIRED. FAILURE TO PROPERLY INSTALL STEP PLATES WILL RESULT IN THE DOOR CURTAIN TO TRAVEL BEYOND THE GUIDES RESULTING IN DOOR DAMAGE AND/OR PERSONAL INJURY.

## STEP 9: CHECK DOOR OPERATION

- ▶ Lower and raise the door to test the door's balance.
- ▶ If door is easy to close but difficult to open, increase spring tension. **See Figure 18, on page 12.**
- ▶ If door is difficult to close but easy to open, decrease spring tension. **See Figure 18, on page 12.**

### **NOTE:**

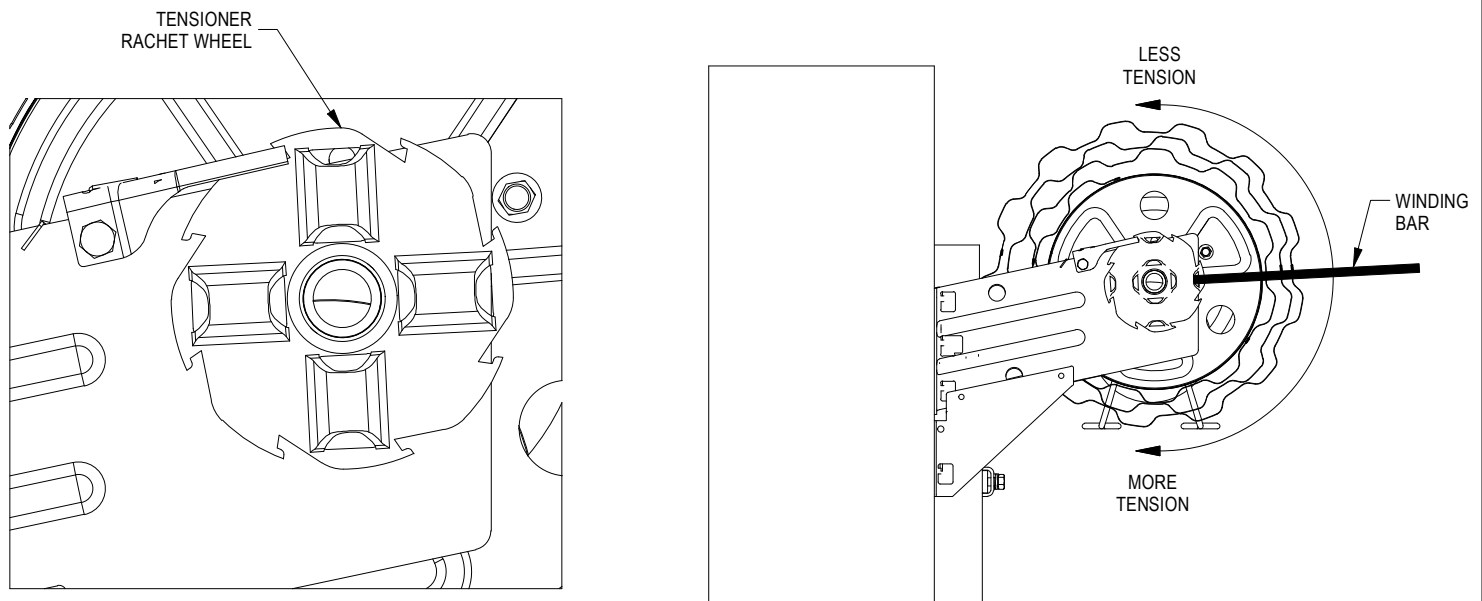
MANUAL ADJUSTMENTS OF SPRING TENSION MAY BE REQUIRED. ADJUSTMENTS ARE TO BE MADE USING A 3/8" DIAMETER WINDING BAR. WHEN MAKING ADJUSTMENTS, ENSURE TENSIONER PAWL IS FULLY ENGAGED WITH TENSIONER RACHET WHEEL TOOTH BEFORE REMOVING WINDING BAR FROM IT. **SEE FIGURE 18** FOR VISUAL REFERENCE.

## STEP 10: ADJUST SPRING TENSION

- ▶ Place 3/8" diameter winding bar in tensioner ratchet wheel.
- ▶ Rotate winding bar in the down direction to increase spring tension. Each engagement of a tooth equals 1/8 turn.
- ▶ To decrease spring tension, pull down slightly on winding bar until pawl disengages tooth. Lift flange on pawl and move winding bar up until just past the pawl/tooth engagement. Allow pawl to rest on ratchet wheel and continue moving winding bar up until pawl is fully engaged with the tooth.
- ▶ Remove winding bar and operate door.
- ▶ Repeat steps above (if needed).

### **WARNING!**

COMPONENTS UNDER EXTREME SPRING TENSION COULD RESULT IN DEATH OR SERIOUS INJURY. ADJUSTMENTS MUST BE MADE BY TRAINED ROLLING DOOR TECHNICIANS USING PROPER TOOLS. DOOR MUST BE FULLY OPENED WHEN MAKING ADJUSTMENTS.



**FIGURE 18:**  
**TENSIONER PAWL ENGAGEMENT**

### **NOTE:**

LATCH SLIDE SLOT IN THE GUIDE MAY REQUIRE ADJUSTING AFTER DOOR INSTALLATION DUE TO VARIANCES IN MANUFACTURING AND/OR SITE CONDITIONS.



## STEP 11: PRODUCT SAFETY LABELS

- ▶ Visual check for RDD-201 on tension bracket (page 13).
- ▶ Visual check for RDD-204 on bottom bar (page 13).
- ▶ Install RDD-202 on door drive side, guide or jamb (page 13).

### **NOTE:**

JANUS INTERNATIONAL REQUIRES PRODUCT SAFETY LABELS TO BE PLACED AND/OR INSTALLED TO FULLY COMPLETE INSTALLATION. SEE PAGE 13 FOR LABELS.

# PRODUCT SAFETY LABELS

<b>⚠ WARNING</b>

<p><b>Moving door could result in death or serious injury</b></p> <p><b>Do NOT close door until doorway is clear</b></p>
<b>SAFETY INSTRUCTIONS</b>
<ol style="list-style-type: none"> <li>1. Control the speed of the door during manual operation.</li> <li>2. Do not stand or walk under moving door.</li> <li>3. Keep doorway clear and in full view while operating door.</li> <li>4. Do NOT permit children to play on, near, or with door, or operate door controls.</li> <li>5. Unlock door before opening door.</li> <li>6. Sensing devices on motor operating doors should be tested frequently.</li> <li>7. Adjustments or repairs must ONLY be made by a trained door systems technician using proper tools and instructions.</li> <li>8. Visually inspect door and hardware monthly for worn and/or broken parts and check if door operates freely. DO NOT operate a door with a broken spring.</li> </ol>
<p>Place label at a readable height on door drive side guide or jamb.</p> <p>Do NOT remove, cover, or paint over label.</p> <p>This label should be inspected periodically for legibility, and a replacement label should be ordered from the door manufacturer as needed.</p>

<p>12/07 <span style="float: right;">RDD-202 ©</span></p>

RDD-202 Rolling Door Safety Label





RDD-201 Tension Safety Label



<b>⚠ WARNING</b>

<p><b>Components under extreme spring tension could result in death or serious injury.</b></p>
<b>SAFETY INSTRUCTIONS</b>
<ol style="list-style-type: none"> <li>1. Repairs and adjustments must be made by a trained rolling door systems technician using the proper tools and instructions.</li> <li>2. Door <b>must</b> be fully opened when making adjustments.</li> </ol>
<p>Do NOT remove cover or paint over label.</p> <p>This label should be inspected periodically for legibility, and a replacement label should be ordered from the door manufacturer as needed.</p>

<p>12/07 <span style="float: right;">RDD-201 ©</span></p>
<p>Order # _____</p>

<b>⚠ WARNING</b>	<b>SAFETY INSTRUCTIONS</b>	<ol style="list-style-type: none"> <li>4. Do NOT permit children to play on, near, or with door, or operate door controls.</li> <li>5. Unlock door before opening door.</li> <li>6. Sensing devices on motor operated doors should be tested frequently.</li> </ol>	<ol style="list-style-type: none"> <li>7. Adjustments or repairs must ONLY be made by a trained door systems technician using proper tools and instructions.</li> <li>8. Visually inspect door and hardware monthly for worn and/or broken parts and check if door operates freely. DO NOT operate a door with a broken spring.</li> </ol>	<p>Attach label to bottom bar.</p> <p>Do NOT remove, cover, or paint over label.</p> <p>This label should be inspected periodically for legibility, and a replacement label should be ordered from the door manufacturer as needed.</p>	
	<ol style="list-style-type: none"> <li>1. Control the speed of the door while manually operating.</li> <li>2. Do not stand or walk under moving door.</li> <li>3. Keep doorway clear and in full view while operating door.</li> </ol>				<p>12/07 <span style="float: right;">RDD-204 ©</span></p>

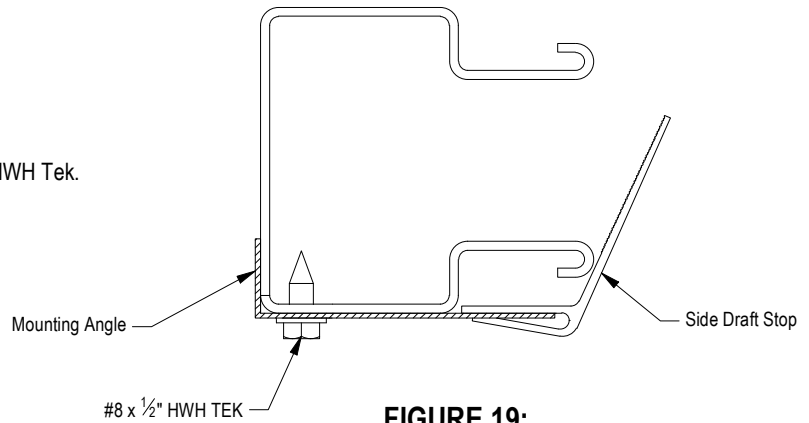
RDD-204 Rolling Door Bottom Bar Label

- ▶ Janus International requires the following product safety/labels to be in place and/or installed to fully complete installation.
- ▶ Any case where product safety labels are missing or damaged, contact Janus International immediately to obtain replacements.

# OPTIONAL SIDE & TOP DRAFT STOP

## SIDE DRAFT STOP INSTALLATION

- ▶ Attach draft stop & angle flush with guide using #8 x 1/2" HWH Tek.



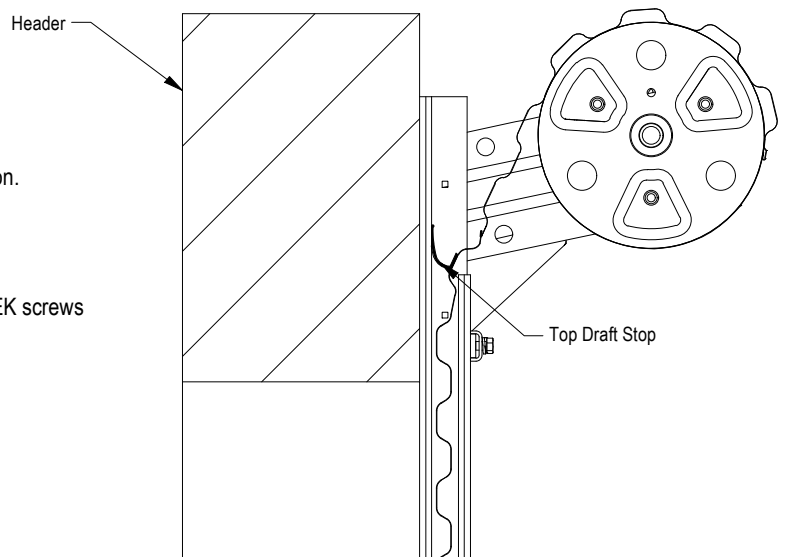
**FIGURE 19:**  
**SIDE DRAFT INSTALLATION**

### **WARNING!**

DO NOT OVER TORQUE FASTENERS

## TOP DRAFT STOP INSTALLATION

- ▶ With door fully closed, mark curtain for draft stop mounting location.
- ▶ Raise curtain until mounting location is accessible.
- ▶ Attach top draft stop to curtain every 12" using #14 x 3/4" HWH TEK screws and flat washers.

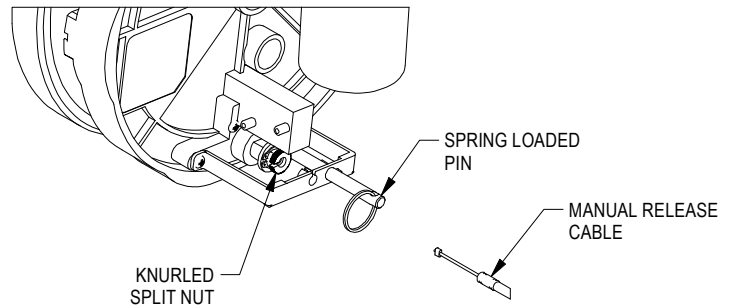
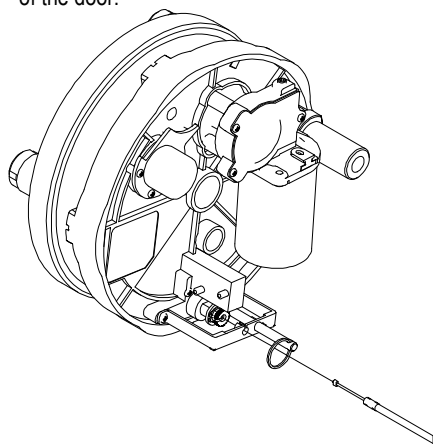
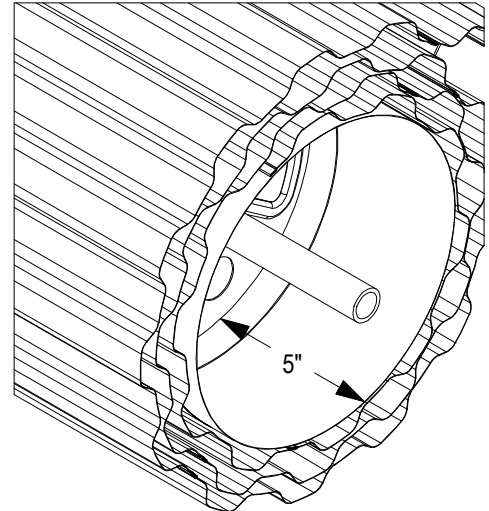


**FIGURE 20:**  
**TOP DRAFT INSTALLATION**

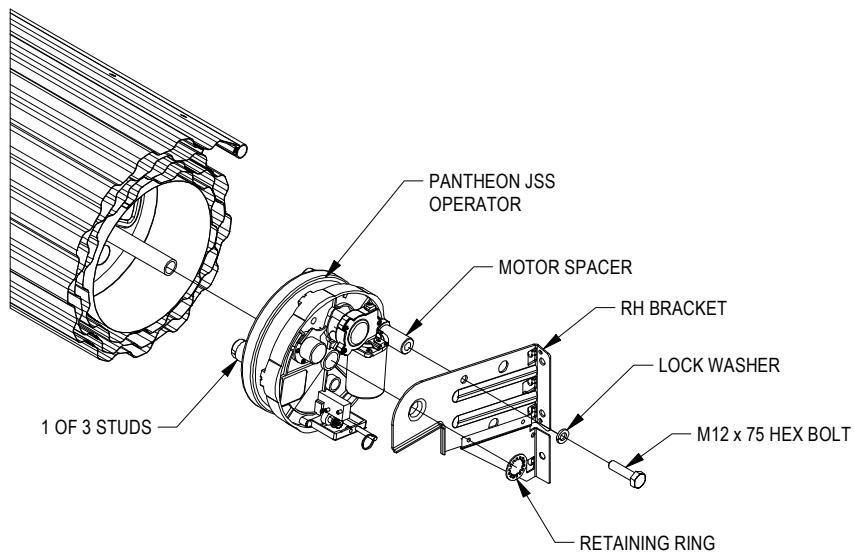
# OPTIONAL PANTHEON JSS INSTALLATION

**NOTE:**  
CONNECTING THE MANUAL RELEASE CABLE TO DIVE IS TO BE DONE BEFORE DOOR IS INSTALLED

- ▶ Check to ensure 5" inset on the barrel is present.
- ▶ Pull ring on spring loaded pin and twist to disengage auto (electric mode).
- ▶ Rotate motor head to test manual operation.
- ▶ Remove the knurled split nut.
- ▶ Uncoil the manual release cable and insert the free end of the cable into the threaded recess where the knurled split nut was removed.
- ▶ Reinstall knurled split nut and tighten.
- ▶ Carefully coil release cable and motor electric cables together and secure to each other in order to prevent uncoiling or damage during installation of the door.



- ▶ Place the drive unit inside the door drum assembly and verify the three (3) studs on the back of the drive unit are fully engaged in the three (3) holes on the steel drum wheel.



- ▶ Return to **page 7** to continue door installation.

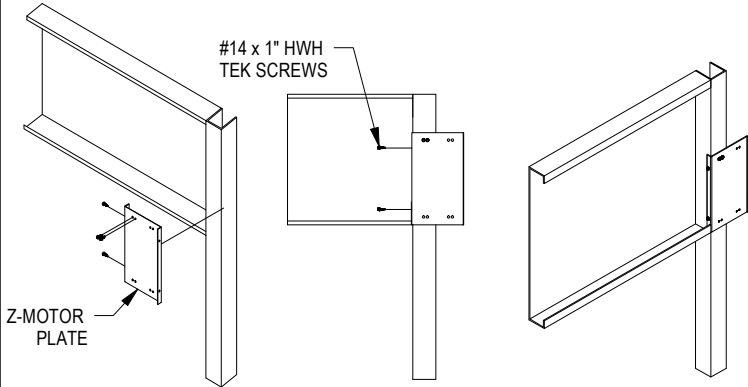
**WARNING!**  
TAKE CARE TO ENSURE THAT THE CABLES FROM THE DRIVE UNIT ARE NOT DAMAGED OR PERMITTED TO RUB ON ANY PART OF THE STRUCTURE OR THE DOOR DURING THE INSTALLATION.

**NOTE:**  
FOR THE COMPLETE INSTRUCTIONS ON INSTALLING AND SETTING UP THE PANTHEON MOTOR, PLEASE REFERENCE THE PANTHEON INSTRUCTIONS FOR FURTHER DETAILS.

# OPTIONAL ATA EZ-ROLLER INSTALLATION

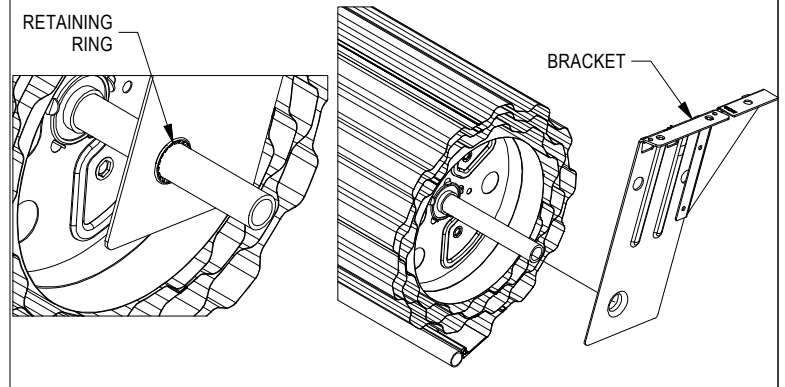
STEP 1

INSTALL Z-MOTOR PLATE (OPTIONAL)



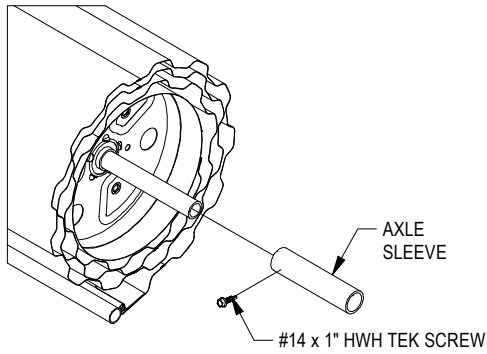
STEP 2

CUT RETAINING RING & REMOVE BRACKET



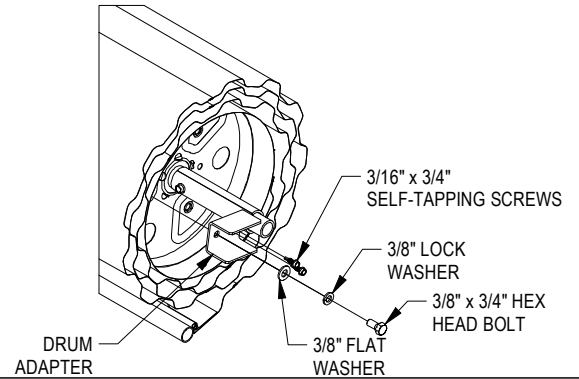
STEP 3

INSTALL AXLE SLEEVE



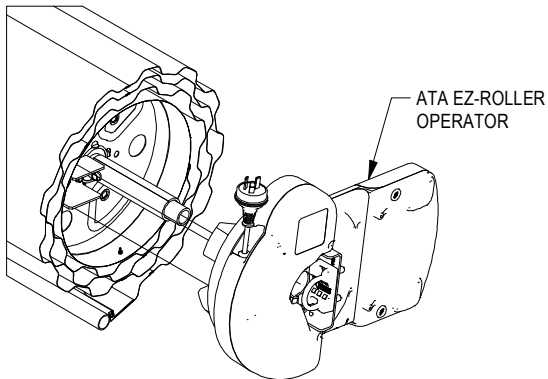
STEP 4

INSTALL DRUM ADAPTER



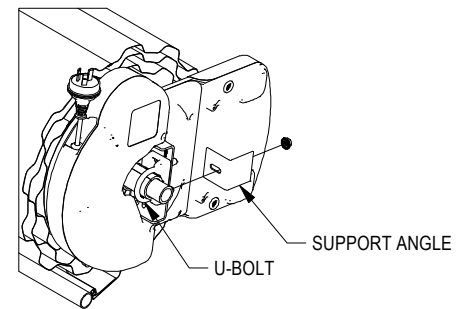
STEP 5

INSTALL ATA EZ-ROLLER



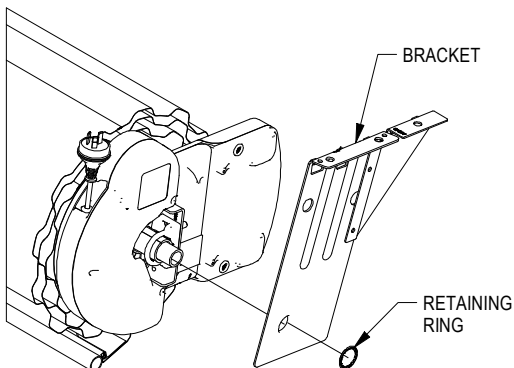
STEP 6

INSTALL HODGE CLIP



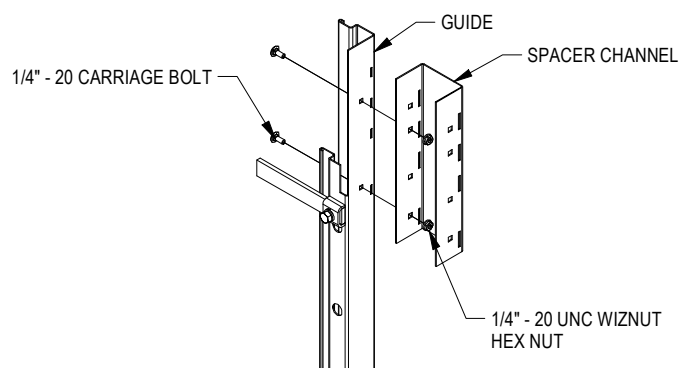
STEP 7

INSTALL ATA EZ-ROLLER



STEP 8

INSTALL SPACER CHANNEL

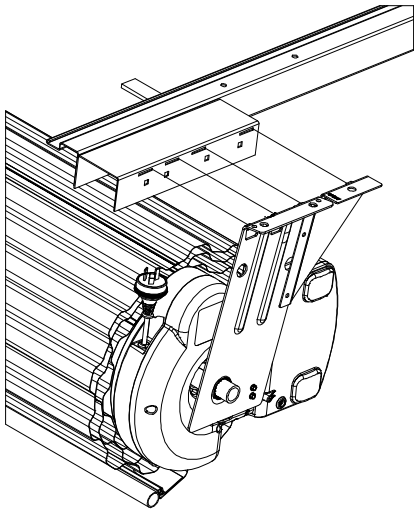




# OPTIONAL ATA EZ-ROLLER INSTALLATION (CONT.)

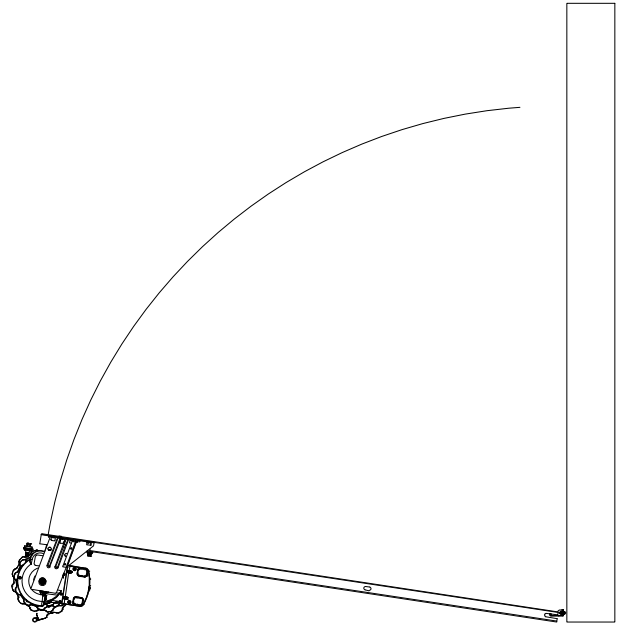
STEP 9

INSTALL SPACER CHANNEL & GUIDE TO BRACKET



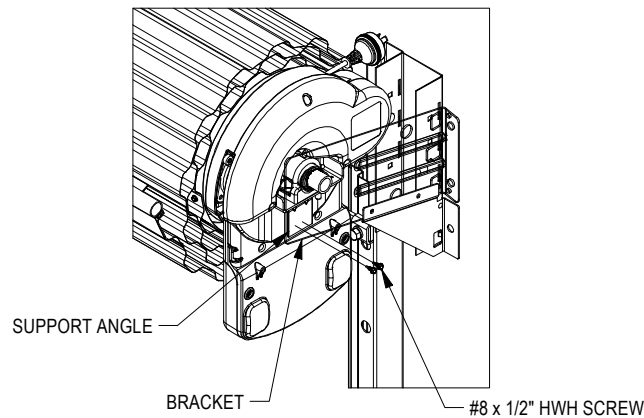
STEP 10

LIFT DOOR INTO PLACE



STEP 11

SECURE HODGE CLIP TO BRACKET



- ▶ Step 1: Install the Z-Motor Plate using Min. 3 - #14 x 1 HWH TEK screws.
- ▶ Step 2: Cut retaining ring on axle and discard. Remove bracket and save for later use.
- ▶ Step 3: Slide axle sleeve onto axle and secure with #14 x 1" HWH TEK screw
- ▶ Step 4: Install drum adapter onto face of drum.
- ▶ Step 5: Slide ATA EZ-Roller onto axle shaft until legs meet the face of the drum with drum adapter between both legs.
- ▶ Step 6: Install Support Angle onto the front leg of the U-Bolt.
- ▶ Step 7: Install bracket and new retaining ring onto axle until the bracket is flush with the face of the ATA EZ-Roller.
- ▶ Step 8: Install Spacer channel onto Guide.
- ▶ Step 9: Attach spacer channel/guide assembly to bracket.
- ▶ Step 10: Return to **step 4 on page 7** to continue installation (See Step 11 before returning to **step 4 on page 7**).
- ▶ Step 11: Once door is fully secured to jambs, fasten support angle to bracket using 2 - #8 x 1/2" HWH TEK screws.

# Operation and Maintenance Manual

The following manual is provided to evaluate the operational performance and future maintenance of Janus International Rolling Sheet door product line. Janus International mandates rolling sheet door product installation by trained rolling door technicians and future maintenance by experienced/qualified personnel. Specific parts, components, assemblies, etc. that are determined to be defective, worn, or unsafe by performance evaluations or preventative maintenance programs must result in rolling sheet door assembly taken out of service. All repairs, part replacements or adjustments must be made by trained rolling door technicians to place rolling sheet door assembly back into service. It is **MANDATORY that all** Janus International door technicians and other technicians, installers and future maintenance staff comply fully with all safety information, procedures, and instructions contained in this manual. **Failure to do so could result in premature part/component failure resulting in serious injury or death to others** and, with respect to Janus International door technicians, immediate termination of employment

**Adjustments, part replacement, repairs, etc. must be performed by trained rolling door technician**

## ROLLING SHEET DOOR PERFORMANCE EVALUATION

- Rolling Door operation should be easy at/near the open and closed positions. Rolling Door may require more effort to open through the middle portion of travel.
- Rolling Door operation to the open position should result in bottom bar angle resting against head stops and remain in the open position.
- Rolling Door operation should not exceed 35lb. of force for hand chain operation, and 30 lb. for manual operation.
- Rolling Door operational balance evaluation:  
*If door operation is easy to close, but hard to open; spring tension needs to be increased*  
*If door operation is hard to close, but easy to open; spring tension needs to be decreased*  
**Spring tension adjustments must be made by trained rolling door technician. Refer to Rolling Door installation instructions for tension adjustment procedure.**

### ▲ **WARNING: Extreme spring tension can cause serious injury or death** ▲

- Rolling Door electrical motor operation should be evaluated quarterly.
- Prior to Rolling Door electrical motor operation assure that doorway is clear and in full view before and during complete operation cycle.
- UL 325 requires constant pressure to close for doors without sensing edges or photoelectric sensors/eyes.
- Sensing devices should be tested at least weekly. Sensing edges should be tested at both ends to evaluate proper operation. Photoelectric eyes must be tested by breaking beam to evaluate proper operation.
- Evaluate operator limit setting at door travel open and closed positions. If operator limit setting has become out of sync with door open and close positions, refer to operator installation instructions to reset limits to an appropriate setting in relationship to door open and closed positions.
- If at any time during Rolling Door electrical motor operation, motor sounds like it is under excessive load or stress to open the door:
  - ▲ Close door using motor operator. Engage motors manual operation feature to manually operate the door to the open position.
  - ▲ If door operation is heavy, cannot be completely opened or hard to open and will not stay in open position; Spring Assembly counterbalance evaluation is required, which may require adjustment or replacement.
  - ▲ **Spring tension adjustments or repairs must be made by trained rolling door technician. Refer to Rolling Door installation instructions for tension adjustment procedure.**
  - ▲ **Determination of counterbalance repair must result in Rolling Door taken out of service until required repairs are complete.**

## VISUAL INSPECTION

### Guides:

- Guide fasteners must be present and secured in each existing hole/slot provided with fasteners supplied by Janus International.
- Guides must not be bent, crushed, or damaged in a way that binds the curtain and/or bottom bar assembly at any portion of travel.
- Head stops must be securely fastened in place at top of guide to prevent bottom bar from traveling out of the top of the guides when rolling door curtain is fully raised to the open position.
- Inspect guide wear strip (when provided) for excessive cracking, tearing, wear or absence.

### Curtain:

- During rolling door operation, curtain and bottom bar assembly must move freely inside guides and not contact header or ceiling.
- Latches, Step Plates, Slide locks, Wind locks, etc. (when provided) must always be securely fastened to curtain assembly.
- **Wind locks should never be removed from curtain.**
- Inspect curtain wear material or felt tape (when provided) for excessive tearing, wear, or absence.
- Inspect weather seals; Top Draft Stop, side draft stop, brush (when provided)

### Brackets/Mounting Plates:

- All Fasteners must be present and secured with fasteners detailed in installation instructions.
- Brackets & Mounting plates (when provided) must not be bent, or damaged in a way that adversely effects the safe operation of door assembly.

### Hood Assembly:

- When provided, all fasteners attaching hood endcaps, hood support (when provided), and hood to wall must be secure.
- Hood endcaps or hood must not be bent or crushed in a manner which binds the curtain thus hindering the proper operation of rolling door operation.

### Chain Hoist Gears:

- Fasteners attaching all chain hoist components, & gears must be securely fastened.
- Visually inspect gears for broken, cracked, missing or extremely worn teeth.
- Clear debris from gear teeth.

### Sprockets and Roller Chain Drive:

**▲Sprocket misalignment will result in excessive wear and could cause roller chain to jump off of sprocket during operation or lead to premature failure of roller chain assembly.▲**

- Visually inspect sprocket alignment between Rolling Door sprocket and output sprocket of motor operator. Align sprockets and tighten set screws as needed.
- Inspect roller chain for excessive wear or damage.
- Roller Chain Lubrication: SAE 20 oil to be used for service temperatures between 32° F and 104° F. Apply oil where chain tension is minimal.
- Check fasteners and tighten as required.

### Tensioning Devices & Axle Supports:

- Fasteners attaching all tensioning devices and axle supports must be securely fastened.
- Set screws securing axle must be securely fastened.
- Inspect for components for damage or deformity.

**▲Determination of tensioning device repair or replacement must result in Rolling Door taken out of service until required repairs are complete. Repair or replacement must be performed by trained rolling door technician▲**

**▲Product safety labels should be periodically inspected and cleaned by the product user as necessary to maintain good legibility for safe viewing distance**

**Product safety labels should be replaced by the product user when they no longer meet the legibility requirements for safe viewing distance. In any case where products have an extensive expected life or where exposed to extreme conditions, the product user should immediately contact Janus International to obtain replacements.**