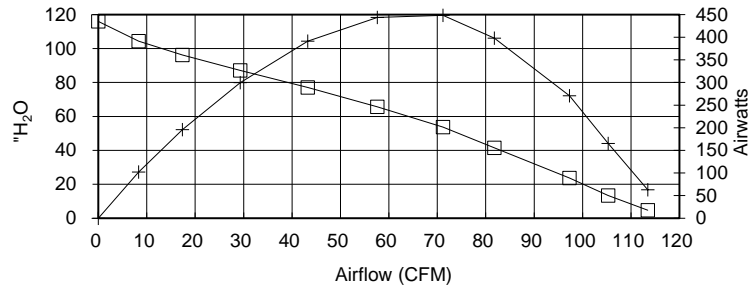


Q6600-005T-MP
AIRFLOW
PERFORMANCE

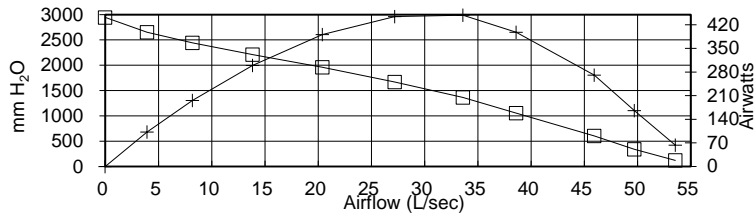


Volts = 240



ORIFICE (Inches)	SUCTION (H ₂ O)	INPUT WATTS	AMPS	RPM'S	CORR. SUCTION (H ₂ O)	AIR FLOW (CFM)	CORR. INPUT WATTS	AIR WATTS	H.P.	OVERALL EFF.(%)
2	4.52	1260	5.4	22,071	4.7	113.5	1308	63.16	0.085	4.83
1.5	12.75	1265	5.4	21,981	13.4	105.3	1313	165.51	0.222	12.60
1.25	22.58	1280	5.5	21,939	23.7	97.3	1328	270.84	0.363	20.39
1	39.45	1286	5.5	21,900	41.4	81.8	1335	397.76	0.533	29.80
0.875	51.09	1285	5.5	22,041	53.7	71.2	1334	448.39	0.601	33.61
0.75	62.48	1256	5.4	22,302	65.6	57.6	1303	443.95	0.595	34.06
0.625	73.40	1201	5.1	22,998	77.1	43.2	1247	391.28	0.525	31.38
0.5	82.86	1135	4.8	23,997	87.1	29.3	1178	299.45	0.401	25.43
0.375	91.59	1062	4.5	25,044	96.2	17.4	1102	196.04	0.263	17.79
0.25	99.34	1002	4.2	26,073	104.4	8.3	1040	101.90	0.137	9.80
0	110.39	949	4.0	27,174	116.0	0.0	985	0.00	0.000	0.00

POLYNOMIAL PEAK AIRWATTS: **453.37**



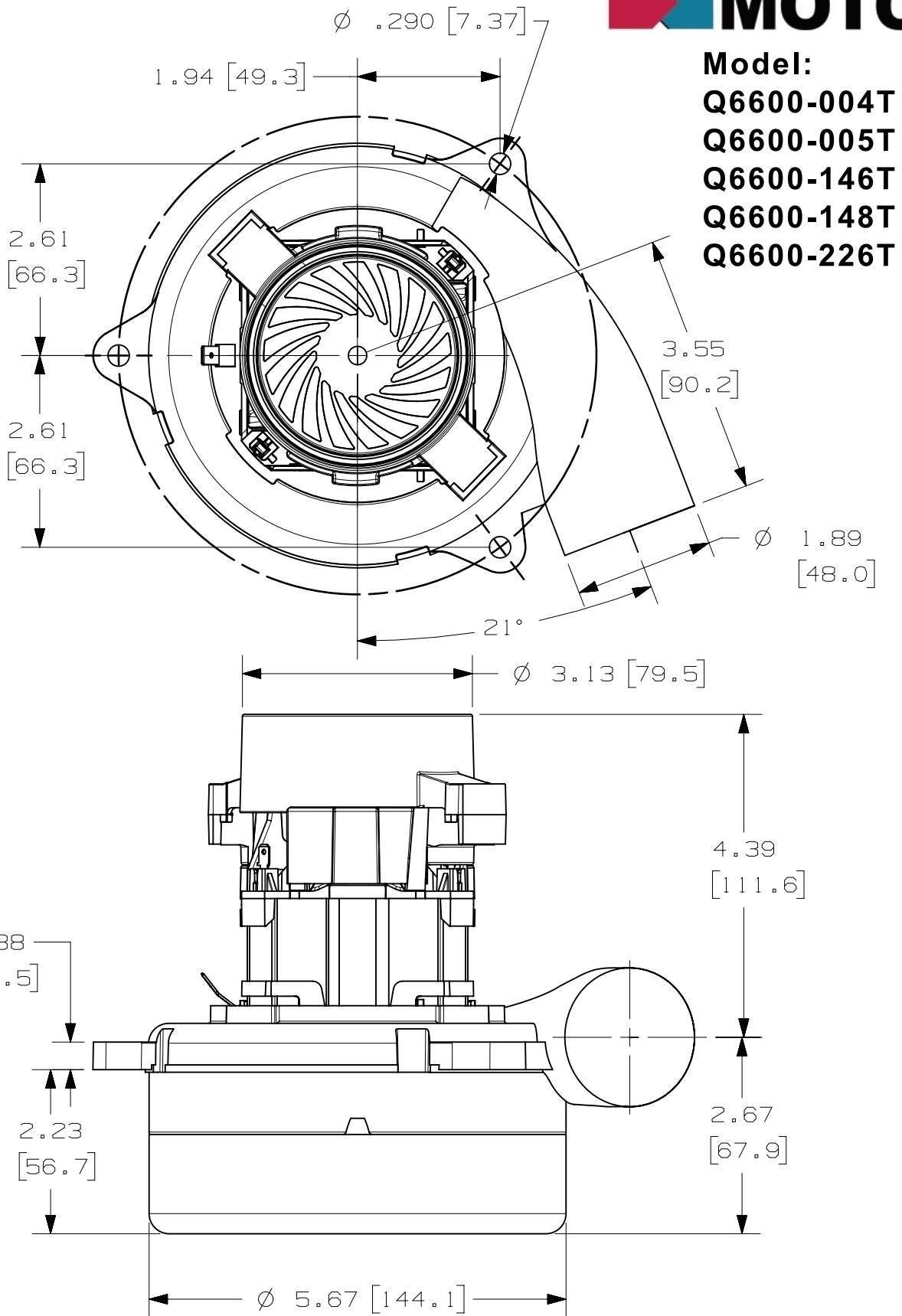
<i>Metric Data</i>					CORR. SUCTION	AIR FLOW	CORR. INPUT	AIR	H.P.	OVERALL
ORIFICE (mm)	SUCTION (mm H ₂ O)	INPUT WATTS	AMPS	RPM'S	(mm H ₂ O)	(L/sec)	WATTS	WATTS		EFF.(%)
50.8	115	1260	5.4	22,071	120	53.6	1308	63.2	0.085	4.83
38.1	324	1265	5.4	21,981	340	49.7	1313	165.5	0.222	12.60
31.8	573	1280	5.5	21,939	602	45.9	1328	270.8	0.363	20.39
25.4	1002	1286	5.5	21,900	1053	38.6	1335	397.8	0.533	29.80
22.2	1298	1285	5.5	22,041	1363	33.6	1334	448.4	0.601	33.61
19.1	1587	1256	5.4	22,302	1667	27.2	1303	444.0	0.595	34.06
15.9	1864	1201	5.1	22,998	1959	20.4	1247	391.3	0.525	31.38
12.7	2105	1135	4.8	23,997	2211	13.8	1178	299.5	0.401	25.43
9.5	2327	1062	4.5	25,044	2444	8.2	1102	196.0	0.263	17.79
6.4	2523	1002	4.2	26,073	2651	3.9	1040	101.9	0.137	9.80
0.0	2804	949	4.0	27,174	2946	0.0	985	0.0	0.000	0.00

POLYNOMIAL PEAK AIRWATTS: **453.37**

ORIFICE (mm)	SUCTION (kPa)	INPUT WATTS	AMPS	RPM'S	CORR. SUCTION (kPa)	AIR FLOW (cu m/h)	CORR. INPUT WATTS	AIR WATTS	H.P.	OVERALL EFF.(%)
50.8	1.125	1260	5.4	22,071	1.18	192.78	1308	63.2	0.085	4.83
38.1	3.176	1265	5.4	21,981	3.34	178.90	1313	165.5	0.222	12.60
31.8	5.623	1280	5.5	21,939	5.91	165.34	1328	270.8	0.363	20.39
25.4	9.826	1286	5.5	21,900	10.32	138.95	1335	397.8	0.533	29.80
22.2	12.726	1285	5.5	22,041	13.37	120.95	1334	448.4	0.601	33.61
19.1	15.561	1256	5.4	22,302	16.35	97.93	1303	444.0	0.595	34.06
15.9	18.281	1201	5.1	22,998	19.21	73.47	1247	391.3	0.525	31.38
12.7	20.639	1135	4.8	23,997	21.68	49.81	1178	299.5	0.401	25.43
9.5	22.813	1062	4.5	25,044	23.97	29.50	1102	196.0	0.263	17.79
6.4	24.741	1002	4.2	26,073	25.99	14.14	1040	101.9	0.137	9.80
0.0	27.495	949	4.0	27,174	28.89	0.00	985	0.0	0.000	0.00

POLYNOMIAL PEAK AIRWATTS: **453.37**

Standard performance data is typical for a motor from a large production quantity. An individual motor's performance will vary due to normal manufacturing variations. Test standards @ 240 volts, corrected to standard atmospheric conditions: Minimum sealed vacuum = 104.38 inH2O, 2651 mmH2O or 26.00 Pa, Maximum open watts = 1478 watts.



NOTE: Dimensions are for reference only and subject to change.
Tolerances of up to ± 0.040 " (1.0mm) can be expected.