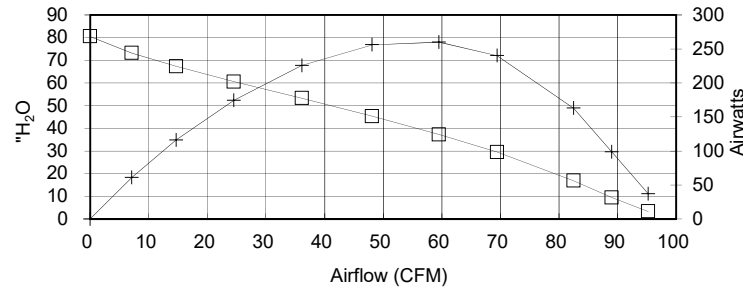


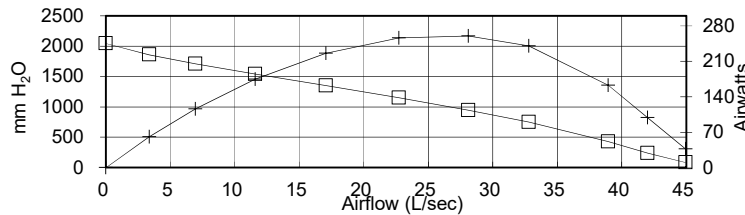
**Q6600-024T**  
**AIRFLOW**  
**PERFORMANCE**

**Volts = 240**



ORIFICE (Inches)	SUCTION (H <sub>2</sub> O)	INPUT WATTS	AMPS	RPM'S	CORR. SUCTION (H <sub>2</sub> O)	AIR FLOW (CFM)	CORR. INPUT WATTS	AIR WATTS	H.P.	OVERALL EFF.(%)
2	3.16	826	3.6	18,248	3.3	95.2	856	36.98	0.050	4.32
1.5	9.03	833	3.6	18,131	9.5	89.0	863	98.85	0.133	11.46
1.25	16.05	841	3.7	18,033	16.8	82.5	872	162.98	0.218	18.70
1	28.10	848	3.7	17,949	29.5	69.5	878	240.25	0.322	27.35
0.875	35.49	842	3.7	17,920	37.2	59.5	873	260.02	0.349	29.78
0.75	43.23	821	3.6	18,160	45.3	48.1	851	256.12	0.343	30.10
0.625	50.78	786	3.4	18,707	53.2	36.1	815	225.81	0.303	27.72
0.5	57.76	741	3.2	19,467	60.6	24.6	768	174.52	0.234	22.71
0.375	64.17	694	3.0	20,307	67.3	14.7	720	116.19	0.156	16.15
0.25	69.80	657	2.8	21,088	73.2	7.1	681	61.20	0.082	8.99
0	76.76	626	2.7	21,781	80.5	0.0	648	0.00	0.000	0.00

POLYNOMIAL PEAK AIRWATTS: **263.81**



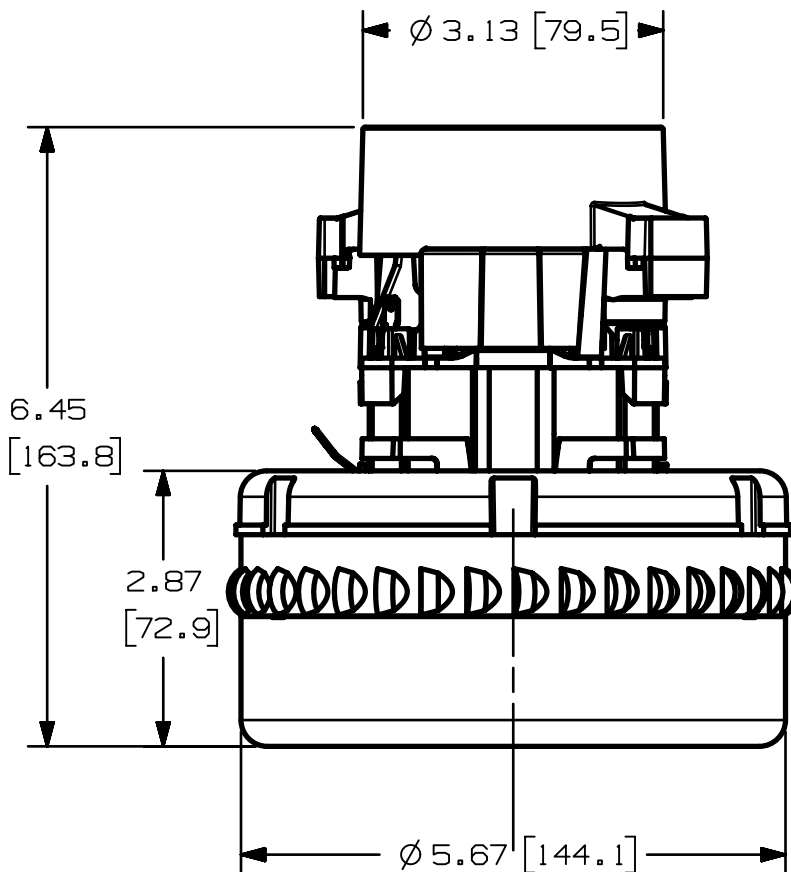
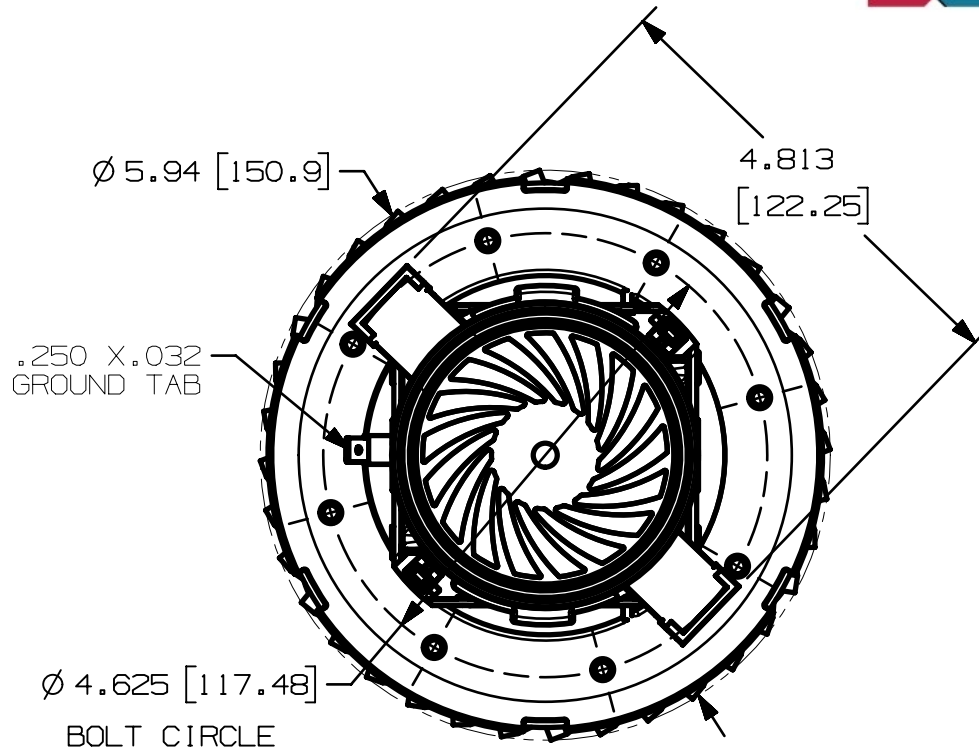
Metric Data					CORR. SUCTION	AIR FLOW	CORR. INPUT	AIR	H.P.	OVERALL
ORIFICE (mm)	SUCTION (mm H <sub>2</sub> O)	INPUT WATTS	AMPS	RPM'S	(mm H <sub>2</sub> O)	(L/sec)	WATTS	WATTS		EFF.(%)
50.8	80	826	3.6	18,248	84	45.0	856	37.0	0.050	4.32
38.1	229	833	3.6	18,131	240	42.0	863	98.8	0.133	11.46
31.8	408	841	3.7	18,033	427	39.0	872	163.0	0.218	18.70
25.4	714	848	3.7	17,949	749	32.8	878	240.3	0.322	27.35
22.2	901	842	3.7	17,920	945	28.1	873	260.0	0.349	29.78
19.1	1098	821	3.6	18,160	1151	22.7	851	256.1	0.343	30.10
15.9	1290	786	3.4	18,707	1353	17.1	815	225.8	0.303	27.72
12.7	1467	741	3.2	19,467	1539	11.6	768	174.5	0.234	22.71
9.5	1630	694	3.0	20,307	1709	6.9	720	116.2	0.156	16.15
6.4	1773	657	2.8	21,088	1859	3.4	681	61.2	0.082	8.99
0.0	1950	626	2.7	21,781	2045	0.0	648	0.0	0.000	0.00

POLYNOMIAL PEAK AIRWATTS: **263.81**

ORIFICE (mm)	SUCTION (kPa)	INPUT WATTS	AMPS	RPM'S	CORR. SUCTION (kPa)	AIR FLOW (cu m/h)	CORR. INPUT WATTS	AIR WATTS	H.P.	OVERALL EFF.(%)
50.8	0.786	826	3.6	18,248	0.82	161.83	856	37.0	0.050	4.32
38.1	2.248	833	3.6	18,131	2.36	151.22	863	98.8	0.133	11.46
31.8	3.997	841	3.7	18,033	4.19	140.25	872	163.0	0.218	18.70
25.4	6.999	848	3.7	17,949	7.34	118.04	878	240.3	0.322	27.35
22.2	8.839	842	3.7	17,920	9.27	101.17	873	260.0	0.349	29.78
19.1	10.767	821	3.6	18,160	11.29	81.81	851	256.1	0.343	30.10
15.9	12.647	786	3.4	18,707	13.26	61.40	815	225.8	0.303	27.72
12.7	14.387	741	3.2	19,467	15.09	41.72	768	174.5	0.234	22.71
9.5	15.982	694	3.0	20,307	16.76	25.00	720	116.2	0.156	16.15
6.4	17.386	657	2.8	21,088	18.23	12.10	681	61.2	0.082	8.99
0.0	19.118	626	2.7	21,781	20.05	0.00	648	0.0	0.000	0.00

POLYNOMIAL PEAK AIRWATTS: **263.81**

Standard performance data is typical for a motor from a large production quantity. An individual motor's performance will vary due to normal manufacturing variations. Test standards @ 240 volts, corrected to standard atmospheric conditions: Minimum sealed vacuum = 72.45 inH<sub>2</sub>O, 1840 mmH<sub>2</sub>O or 18.04 Pa, Maximum open watts = 967 watts.


**Models:**

Q6600-019T  
 Q6600-020T  
 Q6600-022T  
 Q6600-023T  
 Q6600-024T  
 Q6600-030T  
 Q6600-074T  
 Q6600-125T  
 Q6600-135T  
 Q6600-136T  
 Q6600-180T  
 Q6600-190T  
 Q6600-197T  
 Q6600-203T  
 Q6600-208T  
 Q6600-219T  
 Q6600-220T  
 Q6600-223T  
 Q6600-224T  
 Q6600-231T