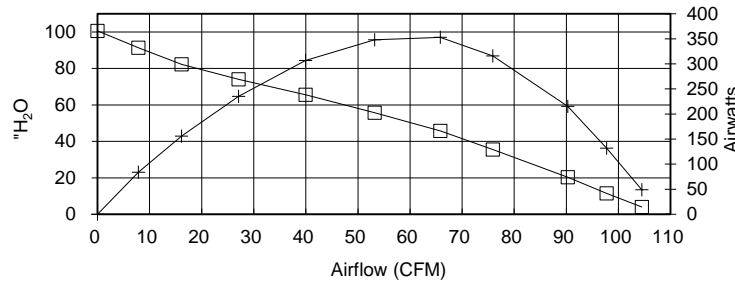


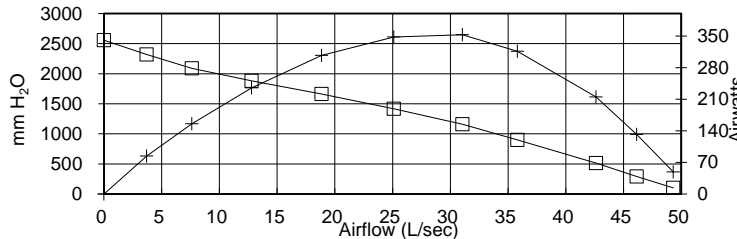
Q6600-038T-MP
AIRFLOW
PERFORMANCE

Volts = 240



ORIFICE (Inches)	SUCTION (inches H ₂ O)	INPUT WATTS	AMPS	RPM'S	CORR. SUCTION (inches H ₂ O)	AIR FLOW (CFM)	CORR. INPUT WATTS	AIR WATTS	H.P.	OVERALL EFF.(%)
2	3.83	1086	4.6	20,151	4.0	104.5	1124	49.10	0.066	4.37
1.5	10.98	1095	4.7	20,070	11.5	97.8	1133	131.86	0.177	11.63
1.25	19.40	1078	4.6	19,964	20.3	90.3	1116	215.15	0.288	19.29
1	33.89	1093	4.7	19,913	35.5	75.9	1131	316.02	0.424	27.94
0.875	43.66	1092	4.7	20,007	45.7	65.8	1130	352.92	0.473	31.24
0.75	53.23	1075	4.6	20,313	55.7	53.2	1112	347.95	0.466	31.28
0.625	62.58	1016	4.3	20,979	65.5	39.9	1051	307.09	0.412	29.21
0.5	70.71	962	4.1	21,894	74.0	27.1	995	235.18	0.315	23.64
0.375	78.59	902	3.8	23,018	82.3	16.1	933	155.80	0.209	16.70
0.25	87.23	847	3.6	24,110	91.3	7.8	876	84.04	0.113	9.59
0	96.14	819	3.5	24,635	100.6	0.0	848	0.00	0.000	0.00

POLYNOMIAL PEAK AIRWATTS: **355.94**



<i>Metric Data</i>					CORR. SUCTION (mm H ₂ O)	AIR FLOW (L/sec)	CORR. INPUT WATTS	AIR WATTS	H.P.	OVERALL EFF.(%)
ORIFICE (mm)	SUCTION (mm H ₂ O)	INPUT WATTS	AMPS	RPM'S						
50.8	97	1086	4.6	20,151	102	49.3	1124	49.1	0.066	4.37
38.1	279	1095	4.7	20,070	292	46.1	1133	131.9	0.177	11.63
31.8	493	1078	4.6	19,964	516	42.6	1116	215.2	0.288	19.29
25.4	861	1093	4.7	19,913	901	35.8	1131	316.0	0.424	27.94
22.2	1109	1092	4.7	20,007	1161	31.1	1130	352.9	0.473	31.24
19.1	1352	1075	4.6	20,313	1415	25.1	1112	347.9	0.466	31.28
15.9	1590	1016	4.3	20,979	1664	18.9	1051	307.1	0.412	29.21
12.7	1796	962	4.1	21,894	1880	12.8	995	235.2	0.315	23.64
9.5	1996	902	3.8	23,018	2089	7.6	933	155.8	0.209	16.70
6.4	2216	847	3.6	24,110	2319	3.7	876	84.0	0.113	9.59
0.0	2442	819	3.5	24,635	2556	0.0	848	0.0	0.000	0.00

POLYNOMIAL PEAK AIRWATTS: **355.94**

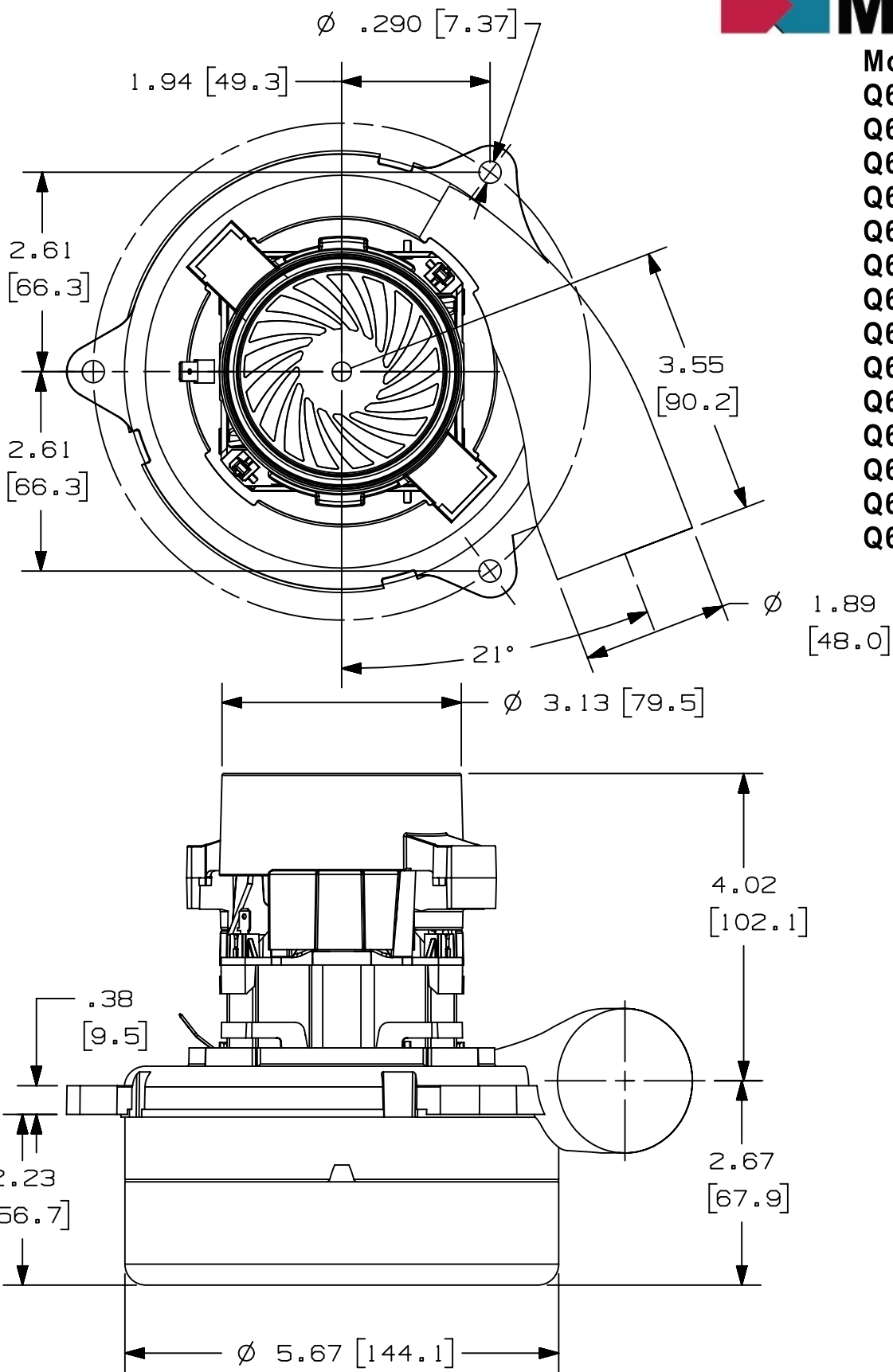
ORIFICE (mm)	SUCTION (kPa)	INPUT WATTS	AMPS	RPM'S	CORR. SUCTION (kPa)	AIR FLOW (cu m/h)	CORR. INPUT WATTS	AIR WATTS	H.P.	OVERALL EFF.(%)
50.8	0.953	1086	4.6	20,151	1.00	177.55	1124	49.1	0.066	4.37
38.1	2.735	1095	4.7	20,070	2.86	166.11	1133	131.9	0.177	11.63
31.8	4.831	1078	4.6	19,964	5.06	153.43	1116	215.2	0.288	19.29
25.4	8.442	1093	4.7	19,913	8.84	128.96	1131	316.0	0.424	27.94
22.2	10.874	1092	4.7	20,007	11.38	111.81	1130	352.9	0.473	31.24
19.1	13.258	1075	4.6	20,313	13.88	90.42	1112	347.9	0.466	31.28
15.9	15.588	1016	4.3	20,979	16.32	67.87	1051	307.1	0.412	29.21
12.7	17.613	962	4.1	21,894	18.44	46.00	995	235.2	0.315	23.64
9.5	19.574	902	3.8	23,018	20.49	27.42	933	155.8	0.209	16.70
6.4	21.726	847	3.6	24,110	22.74	13.33	876	84.0	0.113	9.59
0.0	23.945	819	3.5	24,635	25.06	0.00	848	0.0	0.000	0.00

POLYNOMIAL PEAK AIRWATTS: **355.94**

Standard performance data is typical for a motor from a large production quantity. An individual motor's performance will vary due to normal manufacturing variations. Test standards @ 240 volts, corrected to standard atmospheric conditions: Minimum sealed vacuum = 90.57 in H₂O, 2300 mm H₂O or 22.56 kPa, Maximum open watts = 1271 watts.

Models:

- Q6600-033T
- Q6600-037T
- Q6600-038T
- Q6600-110T
- Q6600-118T
- Q6600-133T
- Q6600-134T
- Q6600-139T
- Q6600-145T
- Q6600-162T
- Q6600-164T
- Q6600-188T
- Q6600-207T
- Q6600-232T



NOTE: Dimensions are for reference only and subject to change.
Tolerances of up to $\pm .040$ " (1.0mm) can be expected.