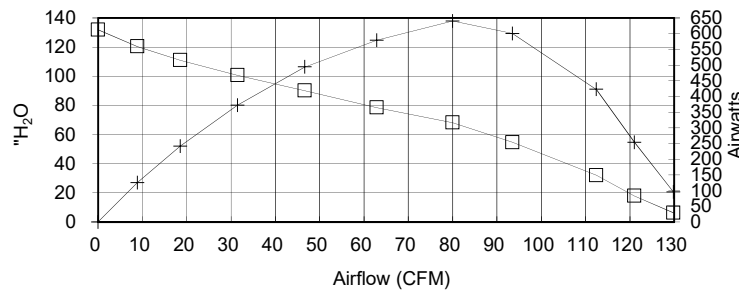


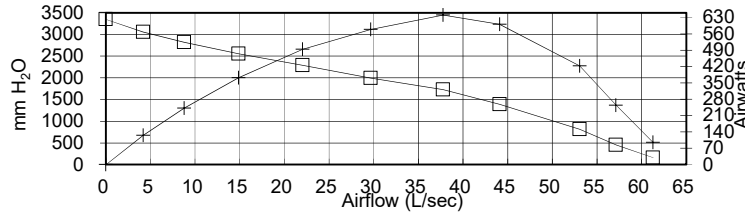
**Q6600-052A-MP  
AIRFLOW  
PERFORMANCE**

**Volts = 120**



ORIFICE (Inches)	SUCTION (inches H <sub>2</sub> O)	INPUT WATTS	AMPS	RPM'S	CORR. SUCTION (inches H <sub>2</sub> O)	AIR FLOW (CFM)	CORR. INPUT WATTS	AIR WATTS	H.P.	OVERALL EFF.(%)
2	5.99	1692	14.6	22,852	6.3	129.8	1752	95.48	0.128	5.45
1.5	17.07	1686	14.6	22,913	17.9	121.1	1745	253.84	0.340	14.54
1.25	30.57	1679	14.5	23,027	32.0	112.4	1737	422.33	0.566	24.31
1	52.26	1662	14.3	23,104	54.7	93.5	1720	600.28	0.805	34.89
0.875	65.12	1632	14.1	23,301	68.2	80.0	1689	640.22	0.858	37.91
0.75	74.92	1570	13.5	23,796	78.4	62.9	1625	578.73	0.776	35.61
0.625	86.12	1484	12.8	24,625	90.2	46.7	1536	493.68	0.662	32.14
0.5	96.19	1393	11.9	25,602	100.7	31.5	1442	372.02	0.499	25.81
0.375	106.03	1304	11.1	26,647	111.0	18.6	1350	241.76	0.324	17.91
0.25	115.01	1231	10.5	27,698	120.4	8.9	1274	125.29	0.168	9.83
0	125.97	1173	10.0	28,622	131.9	0.0	1214	0.00	0.000	0.00

POLYNOMIAL PEAK AIRWATTS: **633.92**



Metric Data					CORR. SUCTION	AIR FLOW	CORR. INPUT WATTS	AIR WATTS	H.P.	OVERALL EFF.(%)
ORIFICE (mm)	SUCTION (mm H <sub>2</sub> O)	INPUT WATTS	AMPS	RPM'S	(mm H <sub>2</sub> O)	(L/sec)				
50.8	152	1692	14.6	22,852	159	61.3	1752	95.5	0.128	5.45
38.1	433	1686	14.6	22,913	454	57.1	1745	253.8	0.340	14.54
31.8	777	1679	14.5	23,027	813	53.1	1737	422.3	0.566	24.31
25.4	1327	1662	14.3	23,104	1390	44.1	1720	600.3	0.805	34.89
22.2	1654	1632	14.1	23,301	1731	37.8	1689	640.2	0.858	37.91
19.1	1903	1570	13.5	23,796	1992	29.7	1625	578.7	0.776	35.61
15.9	2187	1484	12.8	24,625	2290	22.0	1536	493.7	0.662	32.14
12.7	2443	1393	11.9	25,602	2558	14.9	1442	372.0	0.499	25.81
9.5	2693	1304	11.1	26,647	2819	8.8	1350	241.8	0.324	17.91
6.4	2921	1231	10.5	27,698	3058	4.2	1274	125.3	0.168	9.83
0.0	3200	1173	10.0	28,622	3349	0.0	1214	0.0	0.000	0.00

POLYNOMIAL PEAK AIRWATTS: **633.92**

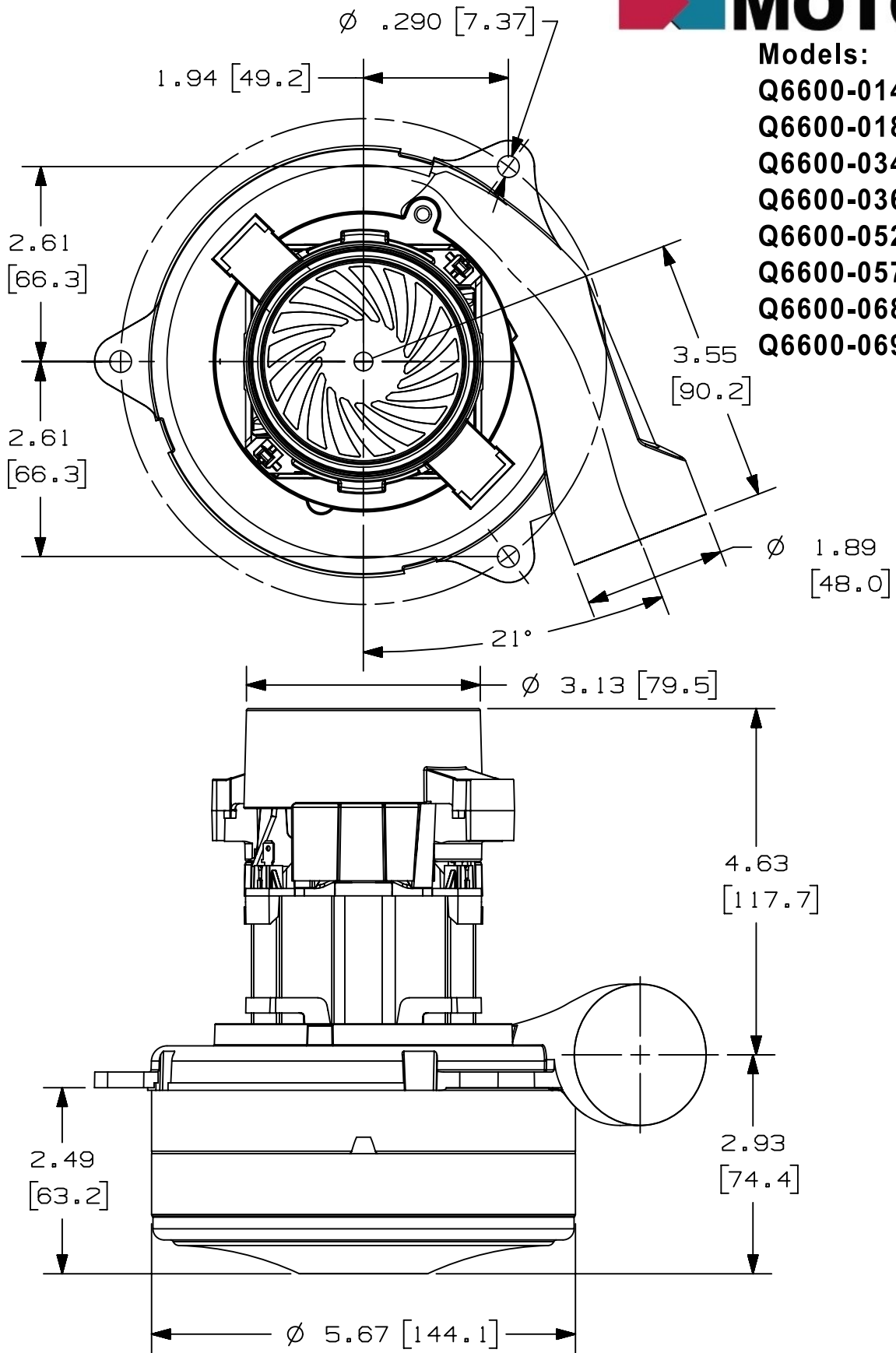
ORIFICE (mm)	SUCTION (kPa)	INPUT WATTS	AMPS	RPM'S	CORR. SUCTION (kPa)	AIR FLOW (cu m/h)	CORR. INPUT WATTS	AIR WATTS	H.P.	OVERALL EFF.(%)
50.8	1.491	1692	14.6	22,852	1.56	220.62	1752	95.5	0.128	5.45
38.1	4.251	1686	14.6	22,913	4.45	205.72	1745	253.8	0.340	14.54
31.8	7.614	1679	14.5	23,027	7.97	191.07	1737	422.3	0.566	24.31
25.4	13.017	1662	14.3	23,104	13.63	158.86	1720	600.3	0.805	34.89
22.2	16.219	1632	14.1	23,301	16.98	135.98	1689	640.2	0.858	37.91
19.1	18.661	1570	13.5	23,796	19.54	106.84	1625	578.7	0.776	35.61
15.9	21.450	1484	12.8	24,625	22.45	79.29	1536	493.7	0.662	32.14
12.7	23.958	1393	11.9	25,602	25.08	53.49	1442	372.0	0.499	25.81
9.5	26.409	1304	11.1	26,647	27.65	31.54	1350	241.8	0.324	17.91
6.4	28.646	1231	10.5	27,698	29.99	15.07	1274	125.3	0.168	9.83
0.0	31.374	1173	10.0	28,622	32.84	0.00	1214	0.0	0.000	0.00

POLYNOMIAL PEAK AIRWATTS: **633.92**

Standard performance data is typical for a motor from a large production quantity. An individual motor's performance will vary due to normal manufacturing variations. Test standards @ 120 volts, corrected to standard atmospheric conditions: Minimum sealed vacuum = 118.68 inH2O, 3014 mmH2O or 29.56 Pa, Maximum open watts = 1980 watts.

**Models:**

- Q6600-014A
- Q6600-018A
- Q6600-034A
- Q6600-036A
- Q6600-052A
- Q6600-057A
- Q6600-068A
- Q6600-069A



NOTE: Dimensions are for reference only and subject to change.  
Tolerances of up to  $\pm 0.040$ " (1.0mm) can be expected.