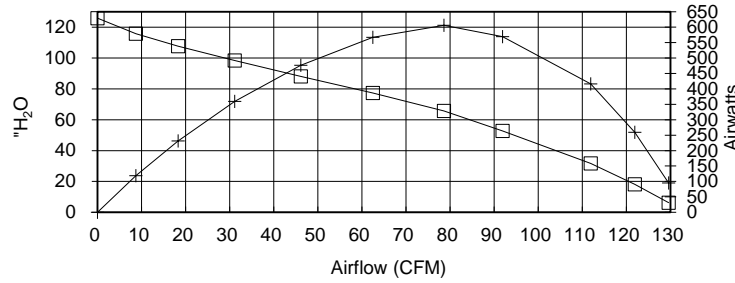


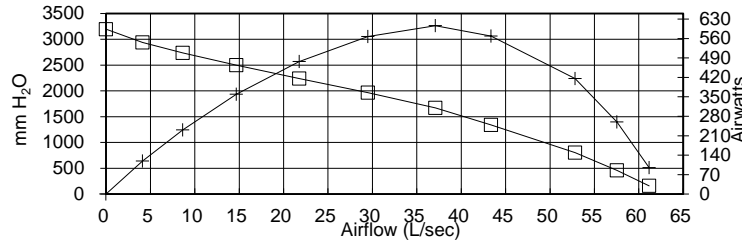
**Q6600-057A-MP
AIRFLOW
PERFORMANCE**

Volts = 240



ORIFICE (Inches)	SUCTION (H ₂ O)	INPUT WATTS	AMPS	RPM'S	CORR. SUCTION (H ₂ O)	AIR FLOW (CFM)	CORR. INPUT WATTS	AIR WATTS	H.P.	OVERALL EFF.(%)
2	6.02	1636	7.0	22,385	6.2	129.6	1682	94.91	0.127	5.64
1.5	17.46	1629	7.0	22,459	18.1	121.9	1674	259.12	0.347	15.48
1.25	30.54	1631	7.0	22,470	31.7	111.9	1676	416.10	0.558	24.82
1	50.87	1623	7.0	22,563	52.8	91.9	1668	569.07	0.763	34.11
0.875	63.34	1597	6.9	22,788	65.7	78.6	1642	606.07	0.812	36.91
0.75	74.60	1538	6.6	23,316	77.4	62.5	1581	567.30	0.760	35.88
0.625	84.90	1455	6.2	24,126	88.1	46.1	1495	476.84	0.639	31.89
0.5	94.82	1362	5.8	25,111	98.4	31.1	1400	359.28	0.482	25.66
0.375	103.79	1272	5.4	26,145	107.7	18.3	1307	231.18	0.310	17.69
0.25	111.62	1196	5.1	27,213	115.8	8.7	1229	118.41	0.159	9.64
0	121.33	1139	4.8	28,102	125.9	0.0	1170	0.00	0.000	0.00

POLYNOMIAL PEAK AIRWATTS: **601.87**



<i>Metric Data</i>					CORR. SUCTION (mm H ₂ O)	AIR FLOW (L/sec)	CORR. INPUT WATTS	AIR WATTS	H.P.	OVERALL EFF.(%)
ORIFICE (mm)	SUCTION (mm H ₂ O)	INPUT WATTS	AMPS	RPM'S						
50.8	153	1636	7.0	22,385	158	61.2	1682	94.9	0.127	5.64
38.1	444	1629	7.0	22,459	460	57.5	1674	259.1	0.347	15.48
31.8	776	1631	7.0	22,470	805	52.8	1676	416.1	0.558	24.82
25.4	1292	1623	7.0	22,563	1340	43.4	1668	569.1	0.763	34.11
22.2	1609	1597	6.9	22,788	1669	37.1	1642	606.1	0.812	36.91
19.1	1895	1538	6.6	23,316	1966	29.5	1581	567.3	0.760	35.88
15.9	2156	1455	6.2	24,126	2237	21.8	1495	476.8	0.639	31.89
12.7	2409	1362	5.8	25,111	2498	14.7	1400	359.3	0.482	25.66
9.5	2636	1272	5.4	26,145	2735	8.6	1307	231.2	0.310	17.69
6.4	2835	1196	5.1	27,213	2941	4.1	1229	118.4	0.159	9.64
0.0	3082	1139	4.8	28,102	3197	0.0	1170	0.0	0.000	0.00

POLYNOMIAL PEAK AIRWATTS: **601.87**

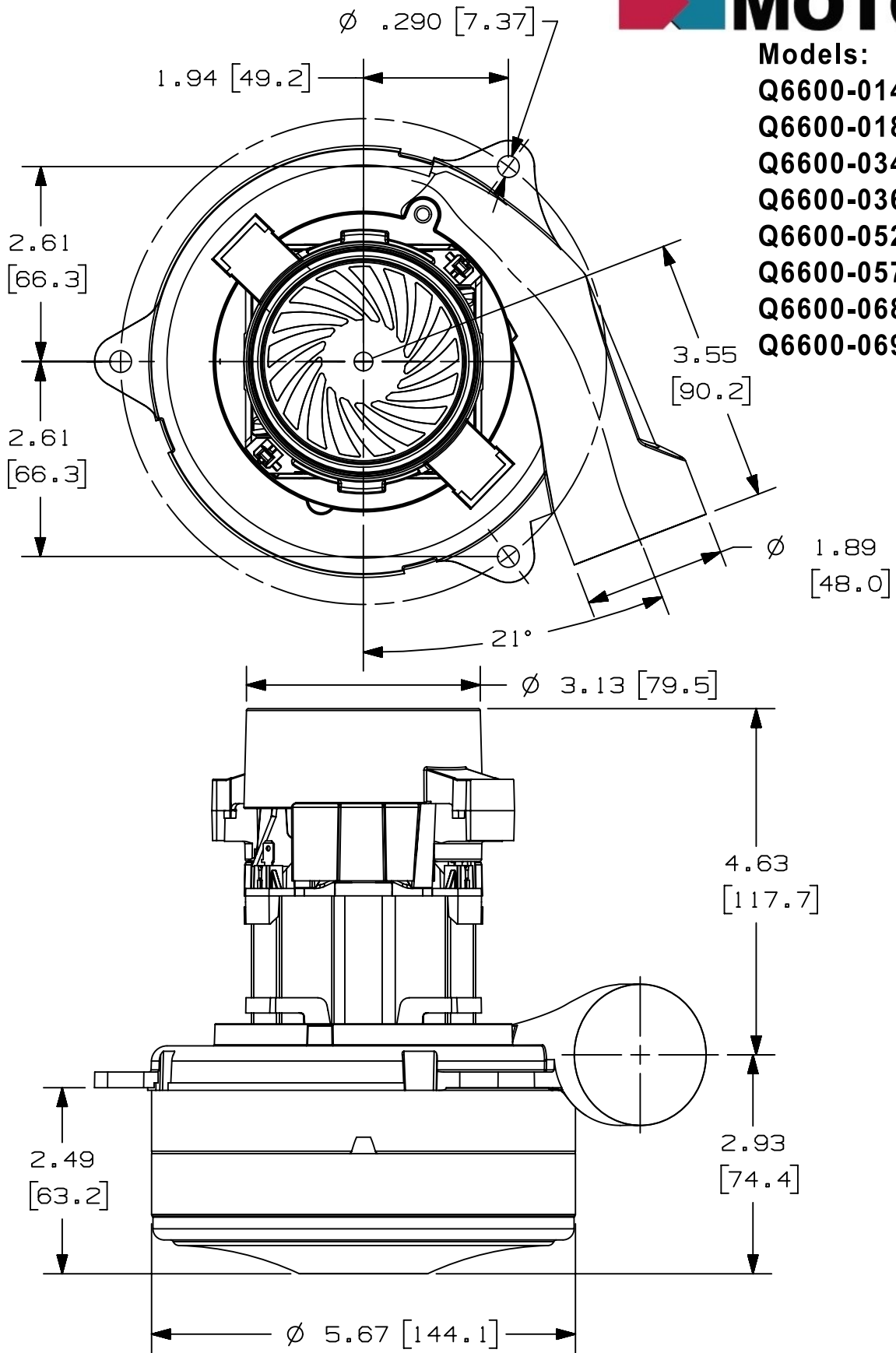
ORIFICE (mm)	SUCTION (kPa)	INPUT WATTS	AMPS	RPM'S	CORR. SUCTION (kPa)	AIR FLOW (cu m/h)	CORR. INPUT WATTS	AIR WATTS	H.P.	OVERALL EFF.(%)
50.8	1.498	1636	7.0	22,385	1.55	220.18	1682	94.9	0.127	5.64
38.1	4.349	1629	7.0	22,459	4.51	207.11	1674	259.1	0.347	15.48
31.8	7.607	1631	7.0	22,470	7.89	190.14	1676	416.1	0.558	24.82
25.4	12.671	1623	7.0	22,563	13.14	156.11	1668	569.1	0.763	34.11
22.2	15.776	1597	6.9	22,788	16.36	133.55	1642	606.1	0.812	36.91
19.1	18.580	1538	6.6	23,316	19.27	106.13	1581	567.3	0.760	35.88
15.9	21.146	1455	6.2	24,126	21.94	78.39	1495	476.8	0.639	31.89
12.7	23.618	1362	5.8	25,111	24.50	52.88	1400	359.3	0.482	25.66
9.5	25.850	1272	5.4	26,145	26.81	31.09	1307	231.2	0.310	17.69
6.4	27.800	1196	5.1	27,213	28.84	14.81	1229	118.4	0.159	9.64
0.0	30.219	1139	4.8	28,102	31.35	0.00	1170	0.0	0.000	0.00

POLYNOMIAL PEAK AIRWATTS: **601.87**

Standard performance data is typical for a motor from a large production quantity. An individual motor's performance will vary due to normal manufacturing variations. Test standards @ 240 volts, corrected to standard atmospheric conditions: Minimum sealed vacuum = 113.27 in H₂O, 2877 mm H₂O or 28.21 kPa, Maximum open watts = 1901 watts.

Models:

- Q6600-014A
- Q6600-018A
- Q6600-034A
- Q6600-036A
- Q6600-052A
- Q6600-057A
- Q6600-068A
- Q6600-069A



NOTE: Dimensions are for reference only and subject to change.
Tolerances of up to ± 0.040 " (1.0mm) can be expected.