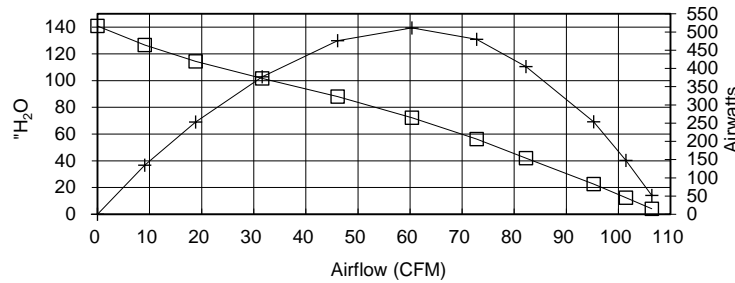


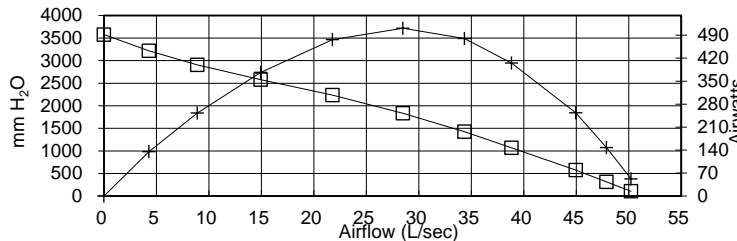
**Q6600-066A-MP
AIRFLOW
PERFORMANCE**

Volts = 120



ORIFICE (Inches)	SUCTION (mm H ₂ O)	INPUT WATTS	AMPS	RPM'S	CORR. SUCTION (mm H ₂ O)	AIR FLOW (CFM)	CORR. INPUT WATTS	AIR WATTS	H.P.	OVERALL EFF. (%)
2	4.02	1484	12.9	20,806	4.2	106.4	1523	51.91	0.070	3.41
1.5	11.99	1500	13.0	20,965	12.4	101.5	1539	147.82	0.198	9.60
1.25	21.92	1521	13.2	20,549	22.7	95.3	1561	253.71	0.340	16.25
1	40.54	1540	13.3	20,550	42.0	82.3	1581	405.25	0.543	25.64
0.875	54.28	1545	13.4	20,542	56.2	72.8	1586	480.09	0.644	30.27
0.75	69.71	1521	13.2	20,802	72.2	60.4	1561	511.30	0.685	32.75
0.625	84.99	1459	12.6	21,217	88.0	46.1	1498	476.19	0.638	31.79
0.5	98.12	1365	11.7	22,139	101.6	31.6	1402	376.99	0.505	26.90
0.375	110.51	1254	10.8	23,162	114.4	18.8	1287	252.81	0.339	19.64
0.25	122.36	1165	10.0	24,326	126.7	9.1	1196	134.89	0.181	11.28
0	136.02	1081	9.2	25,457	140.8	0.0	1110	0.00	0.000	0.00

POLYNOMIAL PEAK AIRWATTS: **511.70**



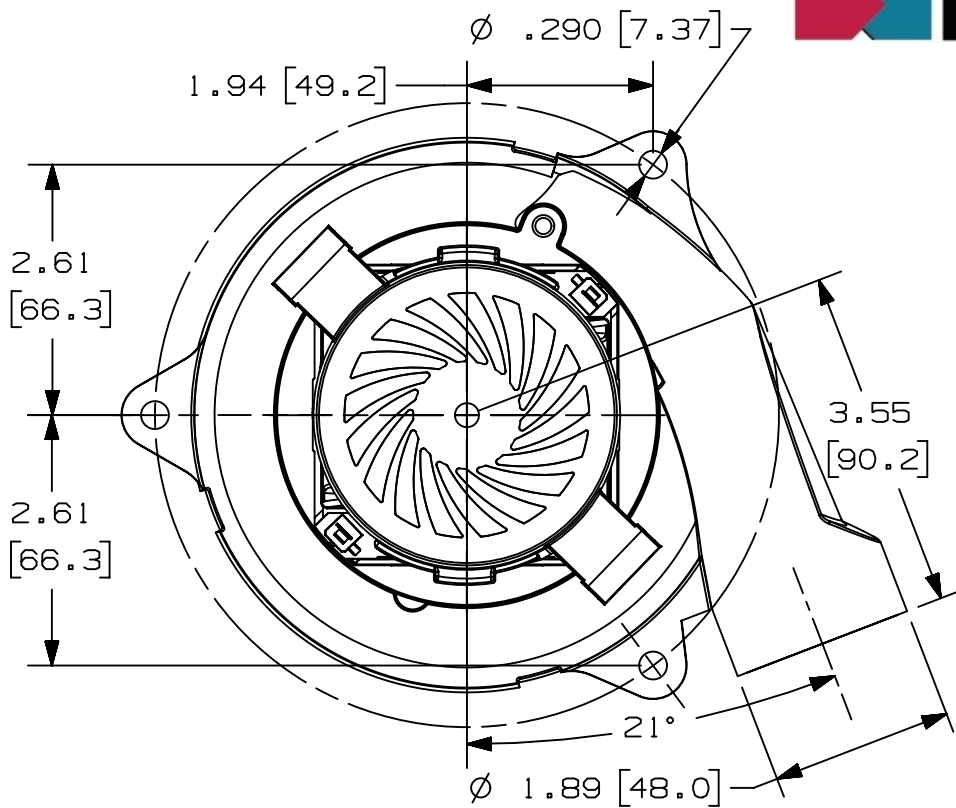
<i>Metric Data</i>					CORR. SUCTION (mm H ₂ O)	AIR FLOW (L/sec)	CORR. INPUT WATTS	AIR WATTS	H.P.	OVERALL EFF. (%)
ORIFICE (mm)	SUCTION (mm H ₂ O)	INPUT WATTS	AMPS	RPM'S						
50.8	102	1484	12.9	20,806	106	50.2	1523	51.9	0.070	3.41
38.1	305	1500	13.0	20,965	315	47.9	1539	147.8	0.198	9.60
31.8	557	1521	13.2	20,549	576	45.0	1561	253.7	0.340	16.25
25.4	1030	1540	13.3	20,550	1066	38.8	1581	405.2	0.543	25.64
22.2	1379	1545	13.4	20,542	1427	34.4	1586	480.1	0.644	30.27
19.1	1771	1521	13.2	20,802	1833	28.5	1561	511.3	0.685	32.75
15.9	2159	1459	12.6	21,217	2235	21.8	1498	476.2	0.638	31.79
12.7	2492	1365	11.7	22,139	2580	14.9	1402	377.0	0.505	26.90
9.5	2807	1254	10.8	23,162	2906	8.9	1287	252.8	0.339	19.64
6.4	3108	1165	10.0	24,326	3218	4.3	1196	134.9	0.181	11.28
0.0	3455	1081	9.2	25,457	3577	0.0	1110	0.0	0.000	0.00

POLYNOMIAL PEAK AIRWATTS: **511.70**

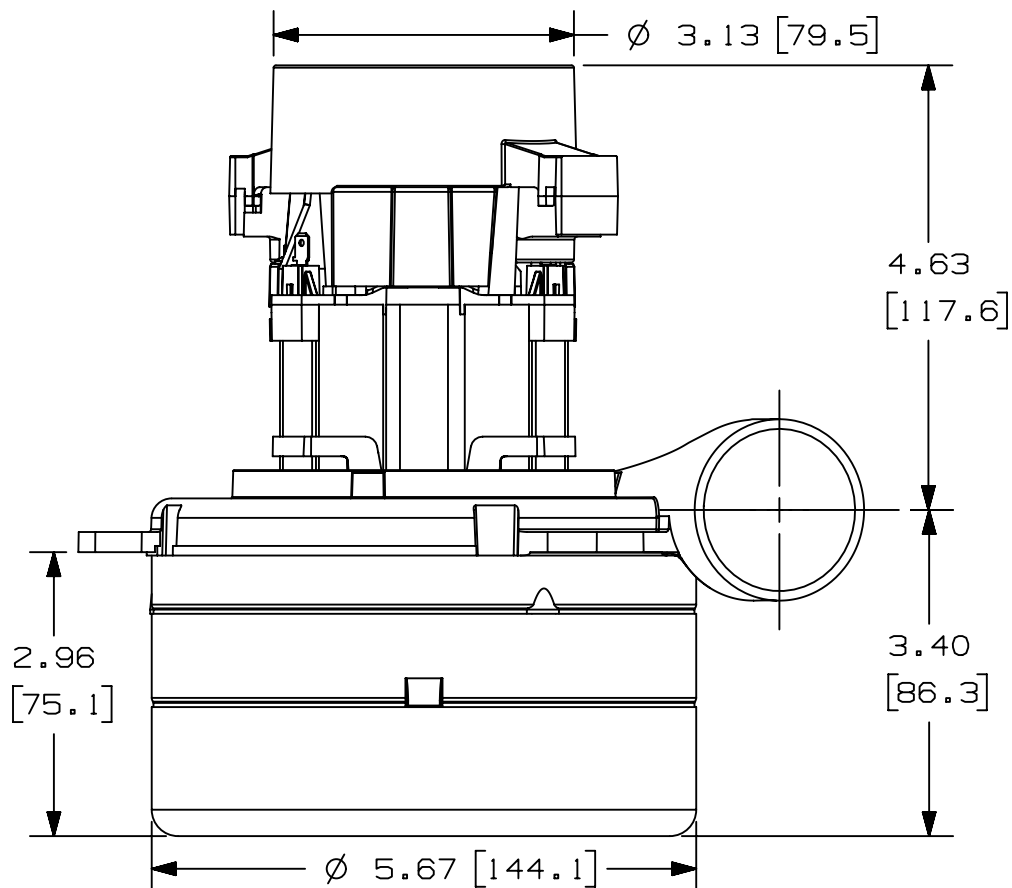
ORIFICE (mm)	SUCTION (kPa)	INPUT WATTS	AMPS	RPM'S	CORR. SUCTION (kPa)	AIR FLOW (cu m/h)	CORR. INPUT WATTS	AIR WATTS	H.P.	OVERALL EFF. (%)
50.8	1.000	1484	12.9	20,806	1.04	180.80	1523	51.9	0.070	3.41
38.1	2.986	1500	13.0	20,965	3.09	172.41	1539	147.8	0.198	9.60
31.8	5.460	1521	13.2	20,549	5.65	161.86	1561	253.7	0.340	16.25
25.4	10.098	1540	13.3	20,550	10.45	139.79	1581	405.2	0.543	25.64
22.2	13.519	1545	13.4	20,542	14.00	123.69	1586	480.1	0.644	30.27
19.1	17.362	1521	13.2	20,802	17.98	102.57	1561	511.3	0.685	32.75
15.9	21.168	1459	12.6	21,217	21.92	78.35	1498	476.2	0.638	31.79
12.7	24.440	1365	11.7	22,139	25.30	53.73	1402	377.0	0.505	26.90
9.5	27.525	1254	10.8	23,162	28.50	31.99	1287	252.8	0.339	19.64
6.4	30.476	1165	10.0	24,326	31.55	15.42	1196	134.9	0.181	11.28
0.0	33.878	1081	9.2	25,457	35.08	0.00	1110	0.0	0.000	0.00

POLYNOMIAL PEAK AIRWATTS: **511.70**

Standard performance data is typical for a motor from a large production quantity. An individual motor's performance will vary due to normal manufacturing variations. Test standards @ 120 volts, corrected to standard atmospheric conditions: Minimum sealed vacuum = 126.74 in H₂O, 3219 mm H₂O or 31.57 kPa, Maximum open watts = 1721 watts.


Models:

Q6600-048
Q6600-049
Q6600-054
Q6600-064
Q6600-066
Q6600-090
Q6600-104
Q6600-113
Q6600-116
Q6600-117
Q6600-120
Q6600-165
Q6600-166
Q6600-200
Q6600-228



Note: Dimensions are for reference only and subject to change. Tolerances of up to ± 0.040 [1.0mm] can be expected.