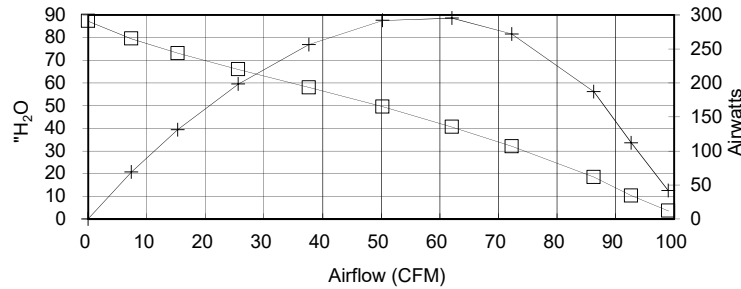


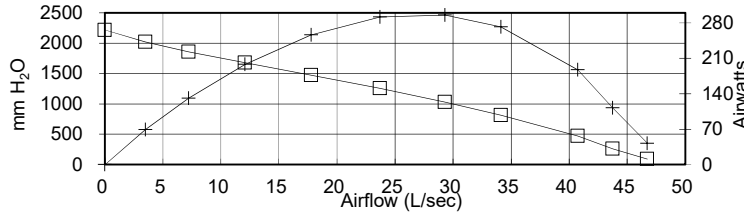
**QM6600-136T
AIRFLOW
PERFORMANCE**

Volts = 240



ORIFICE (Inches)	SUCTION (H ₂ O)	INPUT WATTS	AMPS	RPM'S	CORR. SUCTION (H ₂ O)	AIR FLOW (CFM)	CORR. INPUT WATTS	AIR WATTS	H.P.	OVERALL EFF.(%)
2	3.43	944	4.1	19,421	3.6	99.0	977	41.66	0.056	4.26
1.5	9.84	953	4.1	19,273	10.3	92.7	987	112.03	0.150	11.35
1.25	17.66	963	4.2	19,098	18.5	86.3	997	187.16	0.251	18.78
1	30.63	971	4.2	18,964	32.1	72.3	1004	271.96	0.365	27.07
0.875	38.75	968	4.2	18,978	40.6	62.1	1002	295.40	0.396	29.49
0.75	47.31	944	4.1	19,246	49.5	50.2	977	291.92	0.391	29.87
0.625	55.45	903	3.9	19,802	58.0	37.7	934	256.49	0.344	27.45
0.5	63.06	849	3.7	20,560	66.0	25.6	878	198.23	0.266	22.57
0.375	69.86	795	3.4	21,461	73.1	15.3	823	131.11	0.176	15.93
0.25	75.96	751	3.2	22,263	79.5	7.4	777	68.86	0.092	8.86
0	83.38	725	3.0	23,041	87.3	0.0	750	0.00	0.000	0.00

POLYNOMIAL PEAK AIRWATTS: **299.07**



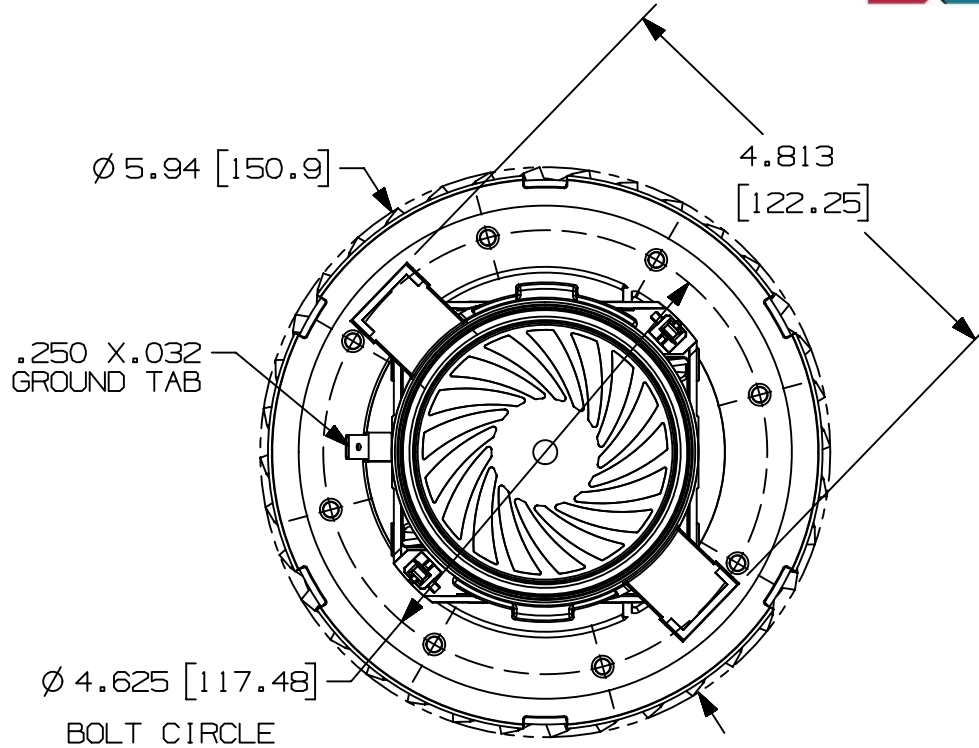
Metric Data					CORR. SUCTION (mm H ₂ O)	AIR FLOW (L/sec)	CORR. INPUT WATTS	AIR WATTS	H.P.	OVERALL EFF.(%)
ORIFICE (mm)	SUCTION (mm H ₂ O)	INPUT WATTS	AMPS	RPM'S						
50.8	87	944	4.1	19,421	91	46.7	977	41.7	0.056	4.26
38.1	250	953	4.1	19,273	262	43.8	987	112.0	0.150	11.35
31.8	448	963	4.2	19,098	469	40.7	997	187.2	0.251	18.78
25.4	778	971	4.2	18,964	814	34.1	1004	272.0	0.365	27.07
22.2	984	968	4.2	18,978	1030	29.3	1002	295.4	0.396	29.49
19.1	1202	944	4.1	19,246	1258	23.7	977	291.9	0.391	29.87
15.9	1408	903	3.9	19,802	1474	17.8	934	256.5	0.344	27.45
12.7	1602	849	3.7	20,560	1676	12.1	878	198.2	0.266	22.57
9.5	1774	795	3.4	21,461	1857	7.2	823	131.1	0.176	15.93
6.4	1929	751	3.2	22,263	2019	3.5	777	68.9	0.092	8.86
0.0	2118	725	3.0	23,041	2216	0.0	750	0.0	0.000	0.00

POLYNOMIAL PEAK AIRWATTS: **299.07**

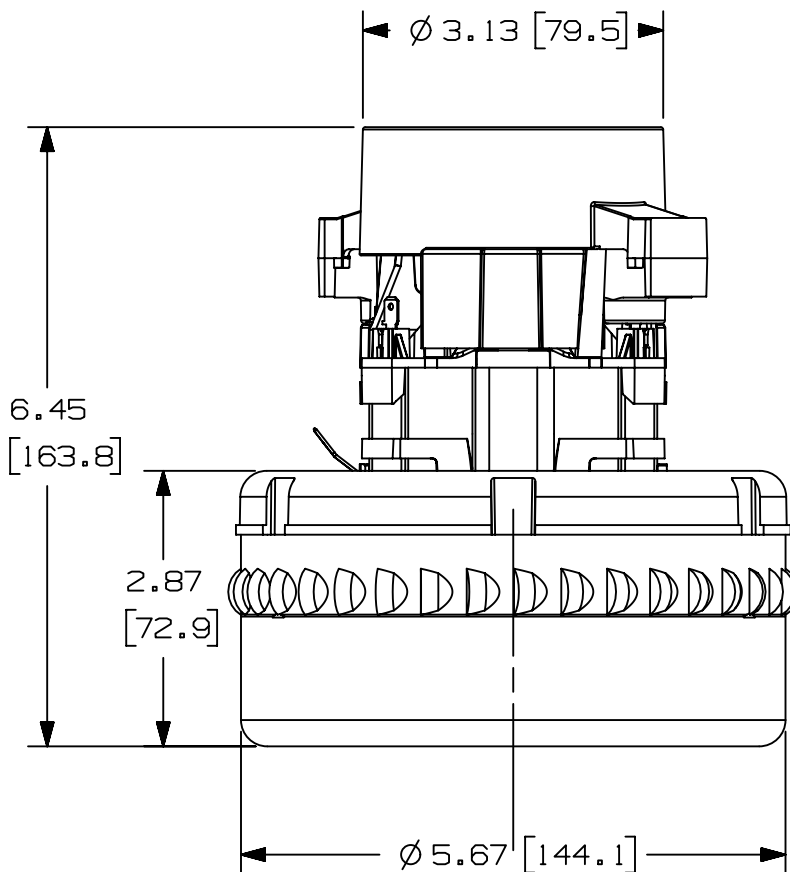
ORIFICE (mm)	SUCTION (kPa)	INPUT WATTS	AMPS	RPM'S	CORR. SUCTION (kPa)	AIR FLOW (cu m/h)	CORR. INPUT WATTS	AIR WATTS	H.P.	OVERALL EFF.(%)
50.8	0.853	944	4.1	19,421	0.89	168.25	977	41.7	0.056	4.26
38.1	2.451	953	4.1	19,273	2.57	157.51	987	112.0	0.150	11.35
31.8	4.398	963	4.2	19,098	4.60	146.66	997	187.2	0.251	18.78
25.4	7.628	971	4.2	18,964	7.98	122.85	1004	272.0	0.365	27.07
22.2	9.651	968	4.2	18,978	10.10	105.48	1002	295.4	0.396	29.49
19.1	11.783	944	4.1	19,246	12.33	85.37	977	291.9	0.391	29.87
15.9	13.810	903	3.9	19,802	14.45	64.00	934	256.5	0.344	27.45
12.7	15.706	849	3.7	20,560	16.44	43.49	878	198.2	0.266	22.57
9.5	17.400	795	3.4	21,461	18.21	25.97	823	131.1	0.176	15.93
6.4	18.919	751	3.2	22,263	19.80	12.54	777	68.9	0.092	8.86
0.0	20.767	725	3.0	23,041	21.73	0.00	750	0.0	0.000	0.00

POLYNOMIAL PEAK AIRWATTS: **299.07**

Standard performance data is typical for a motor from a large production quantity. An individual motor's performance will vary due to normal manufacturing variations. Test standards @ 240 volts, corrected to standard atmospheric conditions: Minimum sealed vacuum = 78.53 inH2O, 1995 mmH2O or 19.56 Pa, Maximum open watts = 1104 watts.


Models:

Q6600-019T
 Q6600-020T
 Q6600-022T
 Q6600-023T
 Q6600-024T
 Q6600-030T
 Q6600-074T
 Q6600-125T
 Q6600-136T
 Q6600-180T
 Q6600-190T
 Q6600-197T
 Q6600-203T
 Q6600-208T
 Q6600-219T
 Q6600-220T
 Q6600-223T
 Q6600-224T
 Q6600-231T



NOTE: Dimensions are for reference only and subject to change.
 Tolerances of up to \pm .040" (1.0mm) can be expected.