

This file has been cleaned of potential threats.

If you confirm that the file is coming from a trusted source, you can send the following SHA-256 hash value to your admin for the original file.

61a5441c0be2b21ac44848aa776f4a7c29c9cafb3c70cf30e5d078e1a1a417aa

To view the reconstructed contents, please SCROLL DOWN to next page.



NO. OF SECTIONS	2	3	4	5	6 OR MORE
1.5/1 VSWR BW	0.4	0.7	0.8	0.85	0.9
MIN. 3 dB BW					

SPECIFICATIONS	STANDARD	*SPECIAL
<b>ELECTRICAL</b>		
Center Frequency (Fc)	1000 to 3000 MHz	800 to 4000 MHz
3dB Relative Bandwidth (% of Fc)	0.2 to 3.5	0.2 to 3.5
Number of Sections Available	3 to 6	2 to 7
Nominal Impedance	50	50
Maximum Insertion Loss	See Curve	See Curve
Maximum VSWR	1.5/1	1.3/1
Attenuation in the Stopband	See Page 44	See Page 44
Maximum Input Power (Average) (Watts to 10,000 ft.)	25% of peak	See Standard
Maximum Input Power (Peak) (Watts to 10,000 ft.)	$\frac{1500 \times 3\text{dB BW (MHz)}}{F_c \text{ (MHz)}}$	See Standard
<b>ENVIRONMENTAL</b>		
Shock	20 G's	25 G's
Vibration	10 G's	20 G's
Humidity	95% relative	100% relative
Altitude	Unlimited	Unlimited
Temperature Range (Operating)	-25°C to + 85°C	-54°C to + 85°C
Temperature (Non-Operating)	-54°C to + 125°C	-54°C to + 125°C
<b>MECHANICAL</b>		
Approximate Weight in oz.	1.1 x H x L	0.9 x H x L
Mounting Provisions	See Next Page	See Next Page
Special Configurations	Consult Factory	Consult Factory

\*Contact Lark Engineering

**INSERTION LOSS:**

The maximum Insertion Loss at center frequency is equal to:

$$\frac{LF \times (N + 0.5)}{\% \text{ 3 dB BW}} + 0.1$$

Where:

LF = Loss Factor

N = Number of Sections

% 3dB BW:

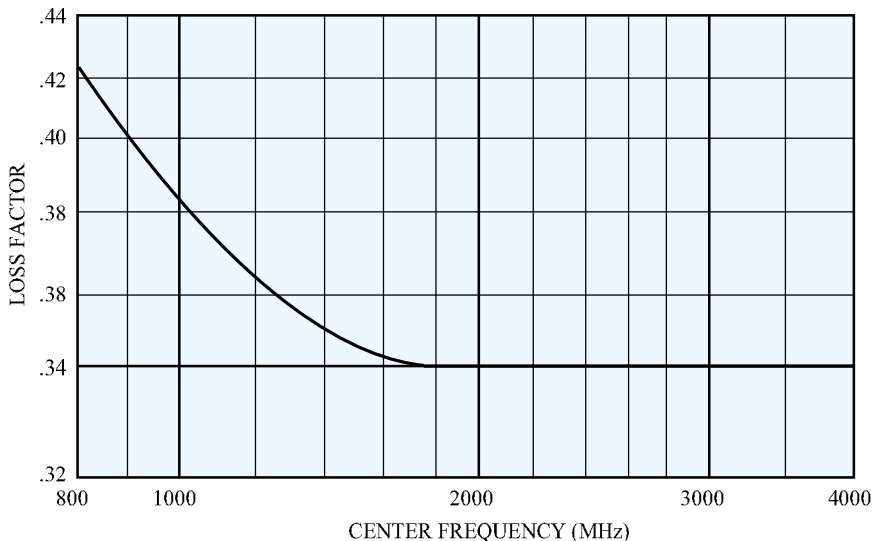
$$\frac{3\text{dB BW (MHz)} \times 100}{\text{CENTER FREQUENCY (MHz)}}$$

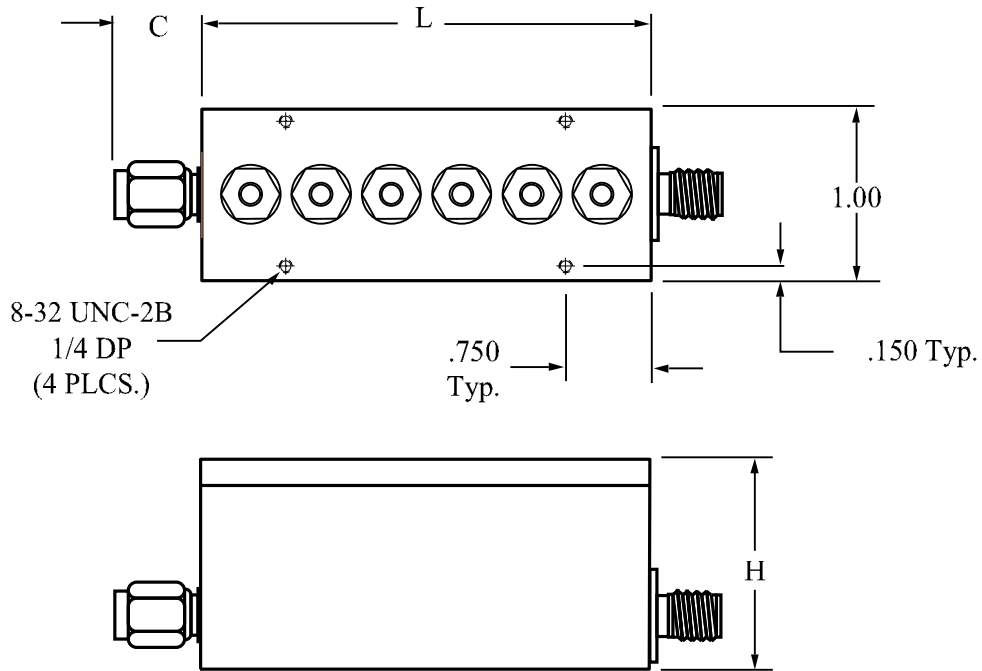
Example:

A 4 section 5C with a center frequency of 3000 MHz and a 3dB BW of 20 MHz would be:

$$\frac{0.34 \times 4.5}{0.6} = 2.55$$

$$2.5 + 0.1 = 2.65\text{dB}$$





$$L \text{ DIMENSION} = \frac{15}{16} (\# \text{ of Sections}) + 0.2 \text{ inch Approximately}$$

$$H \text{ DIMENSION} = \frac{2900}{F_c \text{ (MHz)}} + 0.75 \text{ inch Approximately}$$

CONNECTORS AVAILABLE ON 5C SERIES:

TYPE	DIMENSIONS		TYPE	DIMENSIONS	
	INCHES	MM		INCHES	MM
SMA JACK	.375	9.5	N JACK	.736	18.7
SMA PLUG	.507	12.9	N PLUG	.819	20.8
*TNC JACK	.750	19.1	SPECIAL		
*TNC PLUG	.844	21.4			

\*Not recommended for use with this series.

The size shown is a standard used by Lark to facilitate low cost, easily reproduced units. Should you require another size, please submit all of your requirements, both electrical and mechanical, to Lark Engineering. This will enable Lark to quote the optimum design for your application.