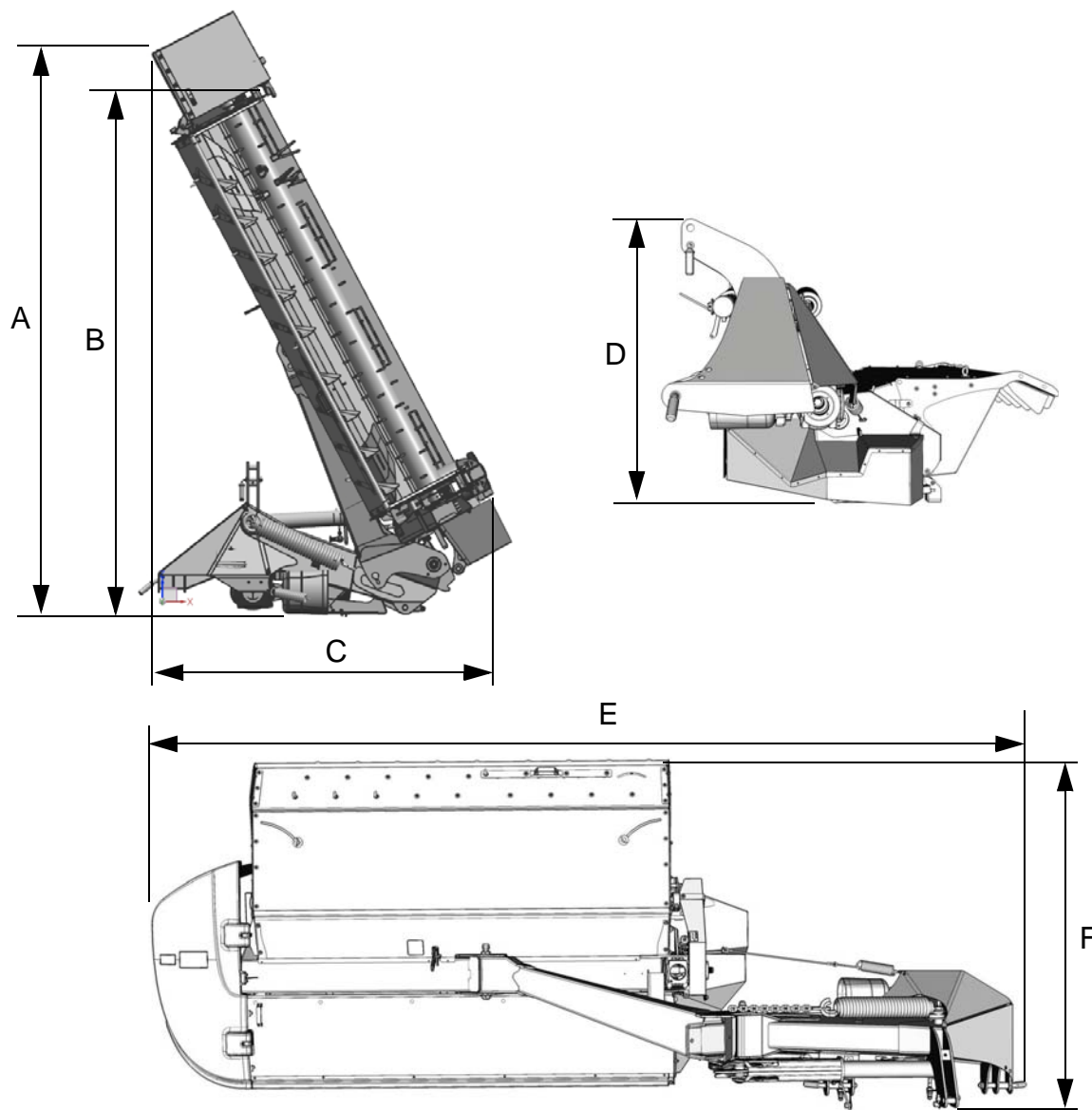


# About the machine

## Technical data

### Machine dimensions



Dim.	Unit	3224MN	3228MN	3232MN
A	mm / inch	2730 / 107,5	3100 / 122	3370 / 132,7
B	mm / inch	2600 / 102,4	2960 / 116,5	3300 / 129,9
C	mm / inch	1910 / 75,2	2170 / 85,4	2000 / 78,7
D	mm / inch	1400 / 55,1		
E	mm / inch	4310 / 169,7	4755 / 187,2	5200 / 204,7
F	mm / inch	2000 / 78,7		

## Machine specification

	Unit	3224MN	3228MN	632 T
Net weight	KG	890	950	1090
	lb	1962	2095	2405
PTO Power take off	rpm	540 / 1000		
Power requirement, minimum	kW	50	60	66
	HP	70	80	90
Number of cutting discs	parts	6	7	8
Number of knives	parts	12	14	16
RPM, cutting discs	RPM	3000		
RPM, rotors	RPM	600 / 900		
Stubble height	mm	35 - 50		
	inch	1,4 - 2		
Cutting width	m	2,4	2,8	3,2
	inch	94,5	110	126
Hydraulic pressure	bar	180		
	psi	2610		
Noise level	dB(A)	85		
Cutting speed	kilometres per hour	6 - 15		
	mph	4 - 9		

## Tractor requirements



### Tractor weight and size

The tractor must be the appropriate size for its weight. Local legislation governing this ratio must be observed.

The correct ratio between tractor and machine ensures correct braking functions and manoeuvrability.

An incorrect ratio between tractor and machine can be dangerous.