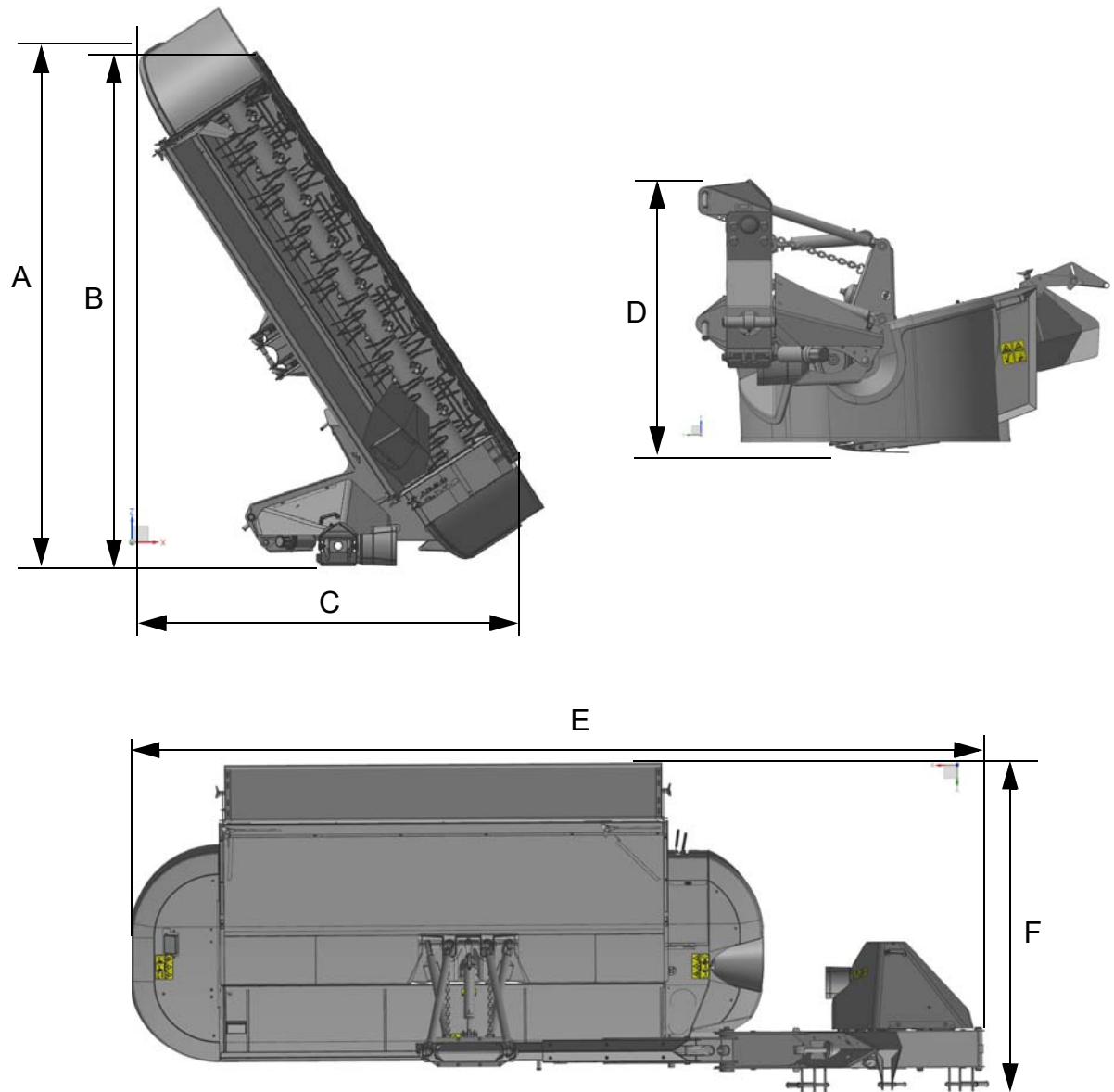


# About the machine

## Technical data

### Machine dimensions



<b>Dim.</b>	<b>Unit</b>	<b>3332MT 3332MR</b>	<b>3336MT 3336MT Vario</b>
<b>A</b>	mm	3500/3565*	3600/3665*
	inch	138/140*	142/144*
<b>B</b>	mm	3450/3515*	3525/3590*
	inch	136/138*	139/141*
<b>C</b>	mm	2280	2530
	inch	90	99,5
<b>D</b>	mm	1450	
	inch	57	
<b>E</b>	mm	5250	5600
	inch	207	220
<b>F</b>	mm	2160	
	inch	85	

\* Inc. support leg

# About the machine

## Machine specification

	Unit	3332MT	3332MR	3336MT	3336MT Vario
Net weight	KG	1397	1460	1497	1547
	lb	3080	3220	3300	3410
PTO Power take off	rpm	1000			
Power requirement, minimum	kW	66		74	
	HP	90		100	
Number of cutting discs	parts	8		9	
Number of knives	parts	16		18	
RPM, cutting discs	RPM	3000			
RPM, rotors	RPM	550 / 1000			
RPM, rollers	RPM	-	1000	-	
Stubble height	mm	35 - 50			
	inch	1,4 - 2			
Cutting width	m	3.2		3,6	
	inch	126		142	
Hydraulic pressure, min. - max.	bar	180 - 220			
	psi	2610 - 3190			
Noise level	dB(A)	85			
Cutting speed	kilometres per hour	6 - 15			
	mph	4 - 9			

## Tractor requirements



### Tractor weight and size

The tractor must be the appropriate size for its weight. Local legislation governing this ratio must be observed.

The correct ratio between tractor and machine ensures correct braking functions and manoeuvrability.

An incorrect ratio between tractor and machine can be dangerous.