



RB20-X

LITHIUM IRON PHOSPHATE BATTERY

ELECTRICAL SPECIFICATIONS

Nominal Voltage	12.8 V
Nominal Capacity	20 Ah
Capacity @ 25A	48 min
Energy	256 Wh
Resistance	60 mΩ
Efficiency	99%
Self Discharge	<3% per Month
Maximum Modules in Series	3

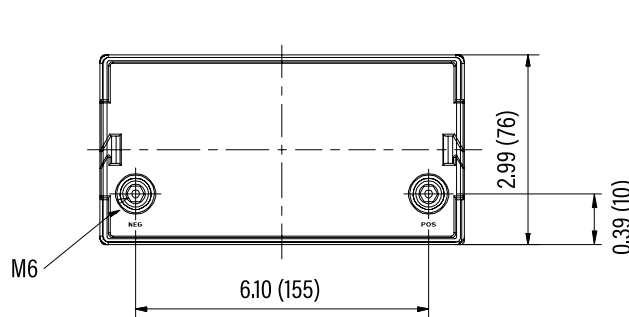
DISCHARGE SPECIFICATIONS

Maximum Continuous Discharge Current	50 A
Peak Discharge Current	90 A (4 s ±1 s)
PCM Discharge Current Cut-Off	140 A (±20 A)
Recommended Low Voltage Disconnect	11 V
PCM Discharge Voltage Cut-Off	8 V
Reconnect Voltage	7.7 - 10.3 V
Short Circuit Protection	200-600 μs

TEMPERATURE SPECIFICATIONS

Discharge Temperature	-4 to 140 °F (-20 to 60 °C)
Charge Temperature	32 to 131 °F (0 to 55 °C)
Storage Temperature	-4 to 140 °F (-20 to 60 °C)
PCM High Temperature Cut-Off	176 °F (80 °C)

DIMENSIONAL SPECIFICATIONS



MECHANICAL SPECIFICATIONS

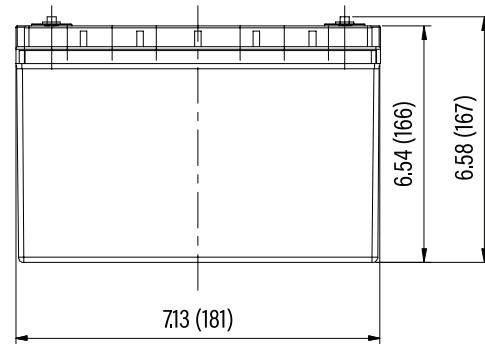
Dimensions (L x W x H)	7.1 x 3.0 x 6.6"
	181 x 76 x 166.5 mm
Weight	6.1 lbs (2.75 kg)
Terminal Type	Flag Terminal
Terminal Torque	35 - 44 in-lbs (5 - 5 N-m)
Case Material	ABS
Enclosure Protection	IP56
Cell Type - Chemistry	Cylindrical - LiFePO ₄

CHARGE SPECIFICATIONS

Recommended Charge Current	10 A
Maximum Charge Current	50 A
PCM Charge Current Cut-Off	140 A (±20 A)
Recommended Charge Voltage	14.2 V - 14.6 V
PCM Charge Voltage Cut-Off	15.6 V
Reconnect Voltage	15.2 V
Balancing Voltage	14.4 V

COMPLIANCE SPECIFICATIONS

Certifications	CE (battery) UN38.3 (battery) UL1642 & IEC62133 (cells)
Shipping Classification	UN 3480, CLASS 9





RB20-X

PERFORMANCE CHARACTERISTICS

