

LOCKER SHOWN WITHOUT OPTIONAL 4" HIGH TOE KICK BASE

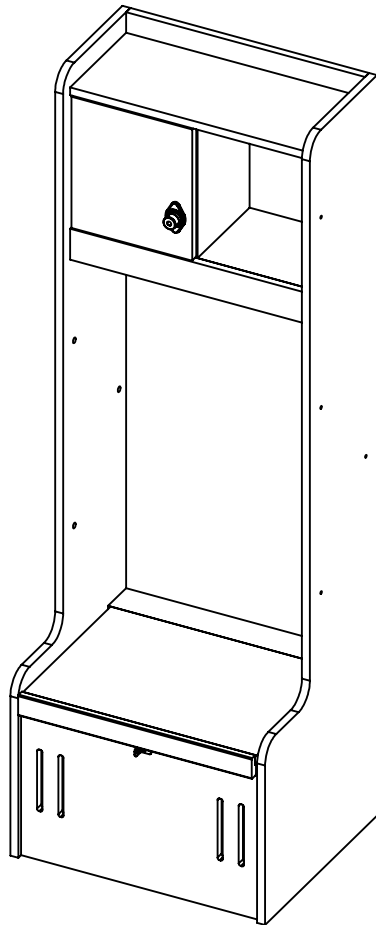
OPEN FRONT LOCKER, 24"W x 20"D x 72"H (NOT INCLUDING OPTIONAL BASE)

- * 3/4" MAPLE VENEER PLYWOOD WITH 3MM WOOD EDGE BAND; COLOR MATCHED PVC EDGE BAND ON CURVED SIDE EDGES; HARDWOOD TRIM; GLUE AND DOWEL CONSTRUCTION
- * INCLUDES BUILT IN COMBINATION LOCK ON UPPER CUBBY, FOOT LOCKER LIFT LID WITH HASP LOCK, 3 DOUBLE HOOKS, VERTICAL VENT SLOTS ON LOWER FOOT LOCKER FACE, ALL HARDWARE IS SILVER COLOR

DIMENSIONS ARE IN INCHES TOLERANCES: FRACTIONAL: $\pm 1/16"$ ANGULAR: MACH ± 1 BEND ± 1 ONE PLACE DECIMAL $\pm .1$ TWO PLACE DECIMAL $\pm .05$ THREE PLACE DECIMAL $\pm .005$ DO NOT SCALE DRAWING	PROPRIETARY AND CONFIDENTIAL THE INFORMATION CONTAINED IN THIS DRAWING IS THE SOLE PROPERTY OF PIVOTAL HEALTH. ANY REPRODUCTION IN PART OR AS A WHOLE WITHOUT THE WRITTEN PERMISSION OF PIVOTAL HEALTH SOLUTIONS IS PROHIBITED.	Pivotal Health Solutions 3003 9th Ave SW, Watertown, SD 57201 pivotalhealthsolutions.com ph. 605-753-0110 fax. 605-882-8398
		Rev: 01
MATERIAL SEE BOM		FINISH See PO for Color
DESC. LOCKER ASSY		
PART NUMBER - NAME Assy, Locker 24x20x72 STC		
SIZE: A	SCALE: 1:16	DATE: 3/24/2020
WEIGHT: 82.588lbs	ENGR. MG	SHEET 1 OF 2

REVISIONS

ECO	Rev.	Engineer	Date	Approval	Date	ALE/AAL	Date	Changes
	01	MG	3/16/2020					NEW DOCUMENT



01

DIMENSIONS ARE IN INCHES TOLERANCES: FRACTIONAL $\pm 1/16"$ ANGULAR: MACH ± 1 BEND ± 1 ONE PLACE DECIMAL $\pm .1$ TWO PLACE DECIMAL $\pm .05$ THREE PLACE DECIMAL $\pm .005$ DO NOT SCALE DRAWING		PROPRIETARY AND CONFIDENTIAL THE INFORMATION CONTAINED IN THIS DRAWING IS THE SOLE PROPERTY OF PIVOTAL HEALTH. ANY REPRODUCTION IN PART OR AS A WHOLE WITHOUT THE WRITTEN PERMISSION OF PIVOTAL HEALTH SOLUTIONS IS PROHIBITED.	Pivotal Health Solutions 3003 9th Ave SW, Watertown, SD 57201 pivotalhealthsolutions.com ph. 605-753-0110 fax. 605-882-8398
MATERIAL SEE BOM		FINISH See PO for Color	
Rev: 01			
DESC. LOCKER ASSY			
PART NUMBER - NAME Assy, Locker 24x20x72 STC			
SIZE: A	SCALE: 1:16	SAVE: 3/24/2020	WEIGHT: 82.588lbs
ENGR. MG		SHEET 2 OF 2	