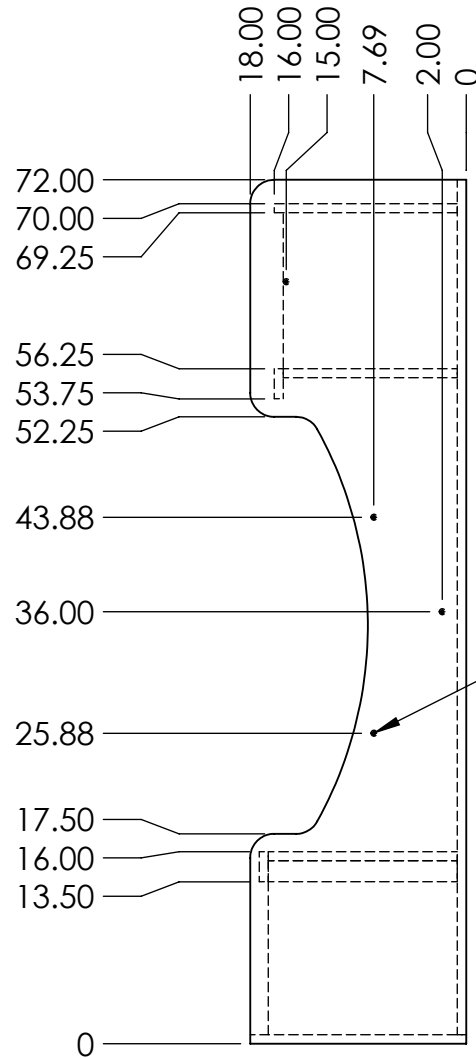
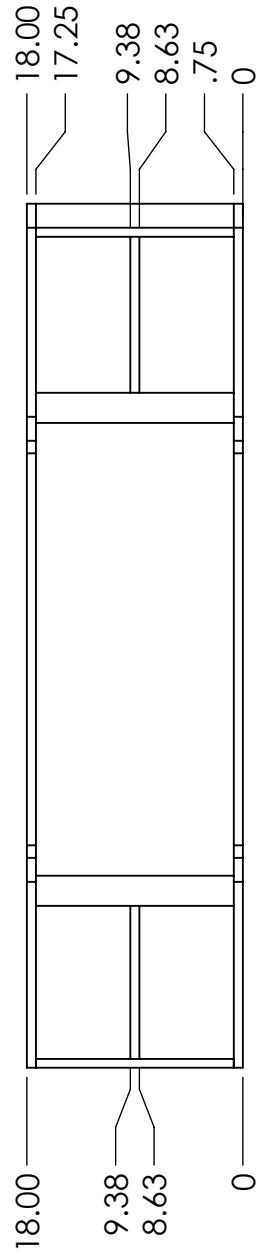


LOCKER SHOWN WITHOUT OPTIONAL 4" HIGH TOE KICK BASE

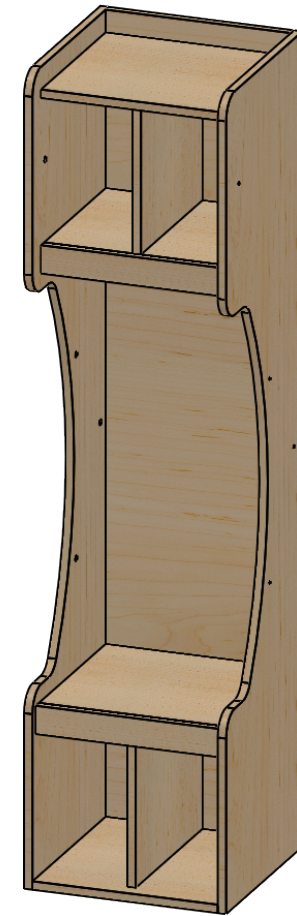
OPEN FRONT LOCKER, 18"W x 18"D x 72"H (NOT INCLUDING OPTIONAL BASE)

- \* 3/4" MAPLE VENEER PLYWOOD WITH 3MM WOOD EDGE BAND;
- HARDWOOD TRIM; GLUE AND DOWEL CONSTRUCTION
- \* INCLUDES BUILT IN COMBINATION LOCK ON UPPER CUBBY,
- 3 DOUBLE HOOKS, ALL HARDWARE IS SILVER COLOR

DIMENSIONS ARE IN INCHES TOLERANCES: FRACTIONAL $\pm 1/16"$ ANGULAR: MACH $\pm 1$ BEND $\pm 1$ ONE PLACE DECIMAL $\pm .1$ TWO PLACE DECIMAL $\pm .05$ THREE PLACE DECIMAL $\pm .005$ DO NOT SCALE DRAWING		<b>PROPRIETARY AND CONFIDENTIAL</b> THE INFORMATION CONTAINED IN THIS DRAWING IS THE SOLE PROPERTY OF PIVOTAL HEALTH. ANY REPRODUCTION IN PART OR AS A WHOLE WITHOUT THE WRITTEN PERMISSION OF PIVOTAL HEALTH SOLUTIONS IS PROHIBITED.	<b>Pivotal Health Solutions</b> 3003 9th Ave SW, Watertown, SD 57201 pivotalhealthsolutions.com ph. 605-753-0110 fax. 605-882-8398
MATERIAL SEE BOM		FINISH See PO for Color	<b>Rev: 01</b>
DESC. <b>STANDARD LOCKER</b>			
PART NUMBER - NAME <b>LOCKER ASSY, 18X18X72 REC0</b>			
SIZE: A	SCALE: 1:16	SAVE: 3/19/2020	WEIGHT: 65.798lbs
ENGR. MG		SHEET 1 OF 3	



4X Ø .26 THRU  
 □ Ø .50 ▽ .19



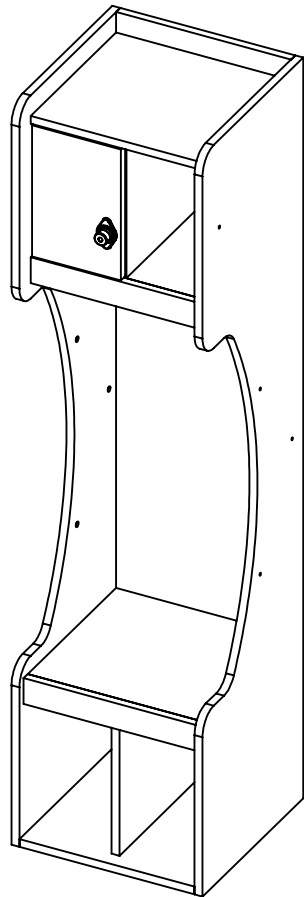
LOCKER SHOWN WITHOUT OPTIONAL 4" HIGH TOE KICK BASE

EACH LOCKER WILL INCLUDE HARDWARE FOR SIDE TO SIDE CONNECTION TO ADJACENT LOCKERS, SILVER COLOR

DIMENSIONS ARE IN INCHES TOLERANCES: FRACTIONAL ± 1/16" ANGULAR: MACH ± 1 BEND ± 1 ONE PLACE DECIMAL ± .1 TWO PLACE DECIMAL ± .05 THREE PLACE DECIMAL ± .005 DO NOT SCALE DRAWING		<b>PROPRIETARY AND CONFIDENTIAL</b> THE INFORMATION CONTAINED IN THIS DRAWING IS THE SOLE PROPERTY OF PIVOTAL HEALTH. ANY REPRODUCTION IN PART OR AS A WHOLE WITHOUT THE WRITTEN PERMISSION OF PIVOTAL HEALTH SOLUTIONS IS PROHIBITED.		<b>Pivotal Health Solutions</b> 3003 9th Ave SW, Watertown, SD 57201 pivotalhealthsolutions.com ph. 605-753-0110 fax. 605-882-8398	
MATERIAL SEE BOM		FINISH See PO for Color		<b>Rev: 01</b>	
DESC. <b>STANDARD LOCKER</b>					
PART NUMBER - NAME <b>LOCKER ASSY, 18X18X72 REC0</b>					
SIZE: A	SCALE: 1:16	SAVE: 3/19/2020	WEIGHT: 65.798lbs	ENGR. MG	SHEET 2 OF 3

REVISIONS

ECO	Rev.	Engineer	Date	Approval	Date	ALE/AAL	Date	Changes
	01	MG	3/19/2020					NEW DOCUMENT



01

DIMENSIONS ARE IN INCHES TOLERANCES: FRACTIONAL $\pm 1/16"$ ANGULAR: MACH $\pm 1$ BEND $\pm 1$ ONE PLACE DECIMAL $\pm .1$ TWO PLACE DECIMAL $\pm .05$ THREE PLACE DECIMAL $\pm .005$ DO NOT SCALE DRAWING		<b>PROPRIETARY AND CONFIDENTIAL</b> THE INFORMATION CONTAINED IN THIS DRAWING IS THE SOLE PROPERTY OF PIVOTAL HEALTH. ANY REPRODUCTION IN PART OR AS A WHOLE WITHOUT THE WRITTEN PERMISSION OF PIVOTAL HEALTH SOLUTIONS IS PROHIBITED.	<b>Pivotal Health Solutions</b> 3003 9th Ave SW, Watertown, SD 57201 pivotalhealthsolutions.com ph. 605-753-0110 fax. 605-882-8398
MATERIAL SEE BOM		FINISH See PO for Color	
Rev: 01			
DESC. <b>STANDARD LOCKER</b>			
PART NUMBER - NAME <b>LOCKER ASSY, 18X18X72 RECO</b>			
SIZE: A	SCALE: 1:16	SAVE: 3/19/2020	WEIGHT: 65.798lbs
ENGR. MG		SHEET 3 OF 3	