



PAYmate™ – Advanced, user-friendly time and attendance terminal, featuring Ethernet connectivity and power-over-Ethernet. Designed for those who demand simple setup and ease-of-use, along with HTTP, XML, and DHCP network connectivity.

The PAYmate features a customizable overlay to fit comfortably with your design needs. One-cable connectivity and power simplifies installation, and two-button interface simplifies use. Durable design, HTTP connectivity, and field-upgradeable firmware provide for long lifespan and dependability.

PAYmate™ features include:

- Internet appliance
- Easy to install and use
- Two function keys (in and out)
- Field-upgradeable firmware
- Power-over-Ethernet
- Mifare™ reader

PAYmate™ Terminal Specifications

DISPLAY	128 x 64 pixel monochrome LCD
CLOCK	Battery-backed real-time clock, 12- or 24-hour format (quartz precision)
KEYPAD	Optional In/Out keys Customizable overlay allows for unique graphic options
SOUND	Internal alert beeper
MEMORY	Stores up to 2000 punches
PLATFORM	MQX real-time operating system 32-bit microcontroller at 80 MHz
PROGRAMMING	Web services capable
INTERFACE	10/100BASE-T Ethernet with DHCP, HTTP, and XML
ENCLOSURE	High strength PC/ABS rated to IP 54
MOUNTING	With or without reversible wedge for 6-degree angle wall or desk mounting Mounts directly to U.S. or U.K. single-gang electrical box Ethernet cable can be routed through top, bottom, or rear of terminal
POWER	IEEE 802.3af-compliant power over Ethernet
ENVIRONMENT	Operation temperature: 0° to 50°C (32° to +122°F) Storage temperature: -20° to 80°C (-4° to +176°F)
PHYSICAL	With base: 14.1 cm x 9.4 cm x 4.5 cm (5.55" x 3.68" x 1.77")
CERTIFICATIONS	CE Mark, FCC Part 15 Class A
READER	Integrated Mifare™ reader (reads s/n)
CREDENTIALS	MiFare, ISO 14443 A/B

ACCU-TIME SYSTEMS INC. THE AMERICAS

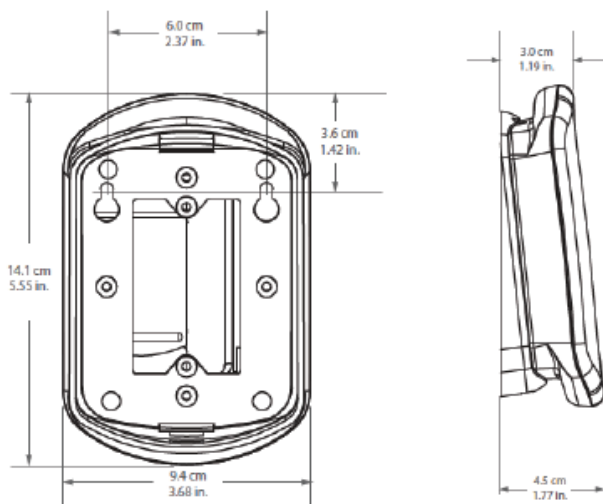
Corporate Headquarters
420 Somers Road
Ellington, CT 06029
TEL: +1 (860) 870-5000
FAX: +1 (860) 872-1511
Toll Free: 1 (800) 355-4648
sales@accu-time.com
www.accu-time.com

EMEA & APAC

United Kingdom
TEL: + 44 (0) 1202 606068
sales@accu-time.com

All Other Locations

TEL: +44 (0) 2920 885599
sales@accu-time.com



To learn more about ATS, visit www.accu-time.com or call 1 (800) 355-4648
As part of Accu-Time's continuous improvement process, we reserve the right to change product specifications without notice. -060915