

Sensor for measuring Free Chlorine

Zirkon® DIS Pool are potentiostatic sensors, measuring parameter and range are defined by the connected instrument.



Applications



Pool & Spa

Technical data

Measuring Parameter

0.. 1000 µg/l
0.. 5.00/10.00 mg/l
0.. 20.00 mg/l

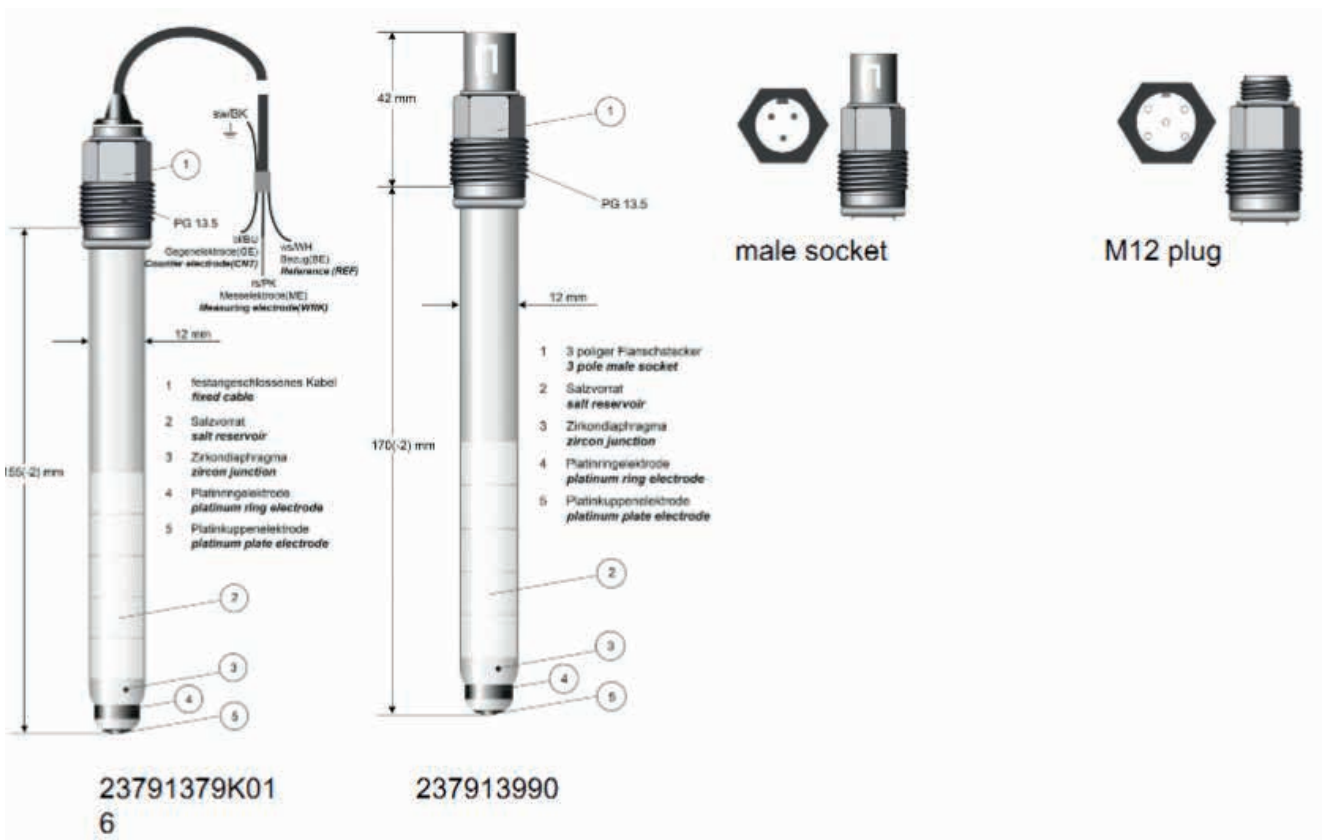
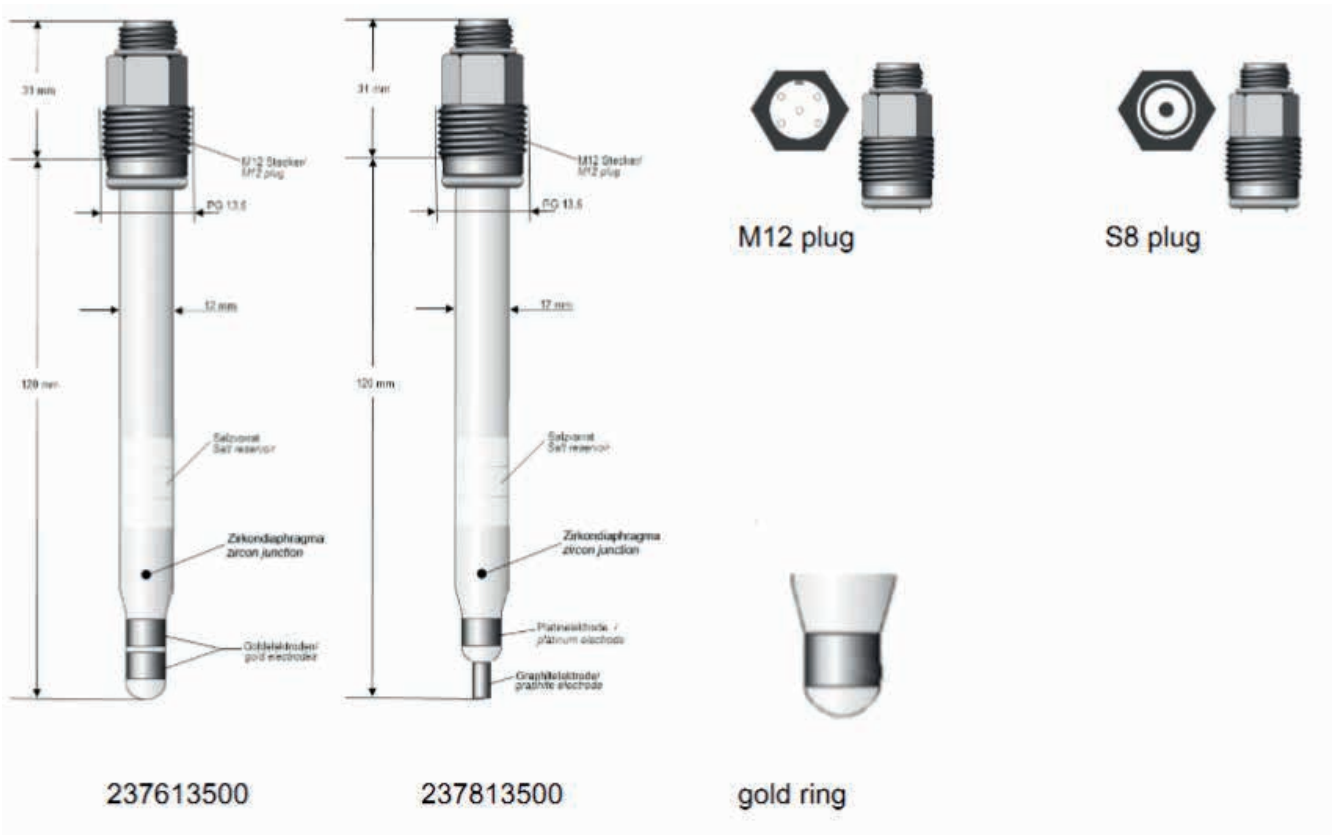
Ambient conditions

Max. pressure < 10 bar at 20°C
Min. conductivity > 150 µS/cm ,with ASR > 200 µS/cm
Temperature -5.. +70 °C

Mechanical construction

Junction Zircon
Shaft material Glass
Mechanical Construction 80 mm, 120 mm
Electrode material platinum ring, platinum plate, gold ring, 2 gold rings, 2 platinum rings, platinum ring and plate platinum ring graphite pin
Reference system Ag/AgCl/saturated KCL
Process connection S8 plug (swivel PG 13.5), M12 plug (swivel PG 13.5) male socket (swivel PG 13.5) fixed cable (swivel PG 13.5)

Maßzeichnung



Storage version

Article number	type/configuration	Description
24135145K	237613500	DES sensor: 2 gold rings, zircon junction, saturated KCl, M12 plug (swivel PG 13.5), 120 mm
24135288K	237513100	DES sensor: 1 gold ring, zircon junction, saturated KCl, S8 plug (swivel PG13.5), 80 mm
24135156K	23791379K016	DES-Sensor: 1 platinum ring and -plate, zircon junction, saturated KCl, 1.6 m fixed cable (swivel PG13.5), 160 mm
24135155K	24135156K	DES-Sensor: 1 platinum ring and -plate, zircon junction, saturated KCl, male socket (swivel PG13.5), 160 mm

Assembly version

Article number	type/configuration	Description
24135150K	237813500	DES sensor for brine: Platinum ring graphite pin, zircon junction, saturated KCl, M12 plug (swivel PG 13.5), 120 mm