

Neon® GAS

Ambient air monitoring

Single channel water monitoring instrument

Neon® is a leading edge measuring and control instrument. Its range of functions can be tailored according to customers' applications. The entry level version contains inputs for measurements and temperature, one digital input and three alarm relays.

Various add-ons are available to expand the functionality as well as wall mounted or panel mounted housing. Neon's® water measurement process can be controlled at any time, from any place, on any device via Kuntze's Cloud Connect® service. All Kuntze products are Made in Germany.



Applications



Pool & Spa



TLV Monitoring



Warehouse
Exhaust Air

Neon® GAS

Technical data

Measuring range

Chlorine Gas	up to 10.00 ppm
Chlorine Dioxide Gas	up to 1.00 ppm
Ozone Gas	up to 1.00 ppm

Input characteristics

Temperature measuring range	0°.. +40.0 °C (32 °.. 104 °F)
Humidity	15.. 90 % (non-condensing)
Other influences	Avoid a sudden change in humidity or draught
Digital input	2 (e.g. for switch or door contact)

Output characteristics

Alarm relay	1 potential-free N/O contact, max. 250 V, 6 A, 550 VA (invertable) 2 relays, each with a potential-free N/O contact, max 250 V, 6 A, 550 VA
Output signal	Option: 2 x 0/4 .. 20 mA (scaleable, galvanically isolated) Load max. 500 Ohm Registration range Scaleable within the measuring range
Voltage output	2x ±6 V DC for sensors
Storage media	SD card up to 1 GB - Industry standard
Serial interface	Option: RS 485 Modbus RTU Baud rate 19200 bps Data format 8 bit

Power supply

Line voltage	85.. 265 V AC, +6/-10 %, 50.. 60 Hz; option: 24 V DC
Power consumption	10 VA

Process conditions

Temperature	Storage -20 .. +65 °C (-4 ° .. +149 °F) Operation 0 .. +50 °C (32 ° .. 122 °F)
Humidity	max. 90 % rH at 40 °C (non-condensing)
Protection class	Wall mounted IP 65 Panel mounted IP 54 (front), IP 30 (housing)

Certificates and approval

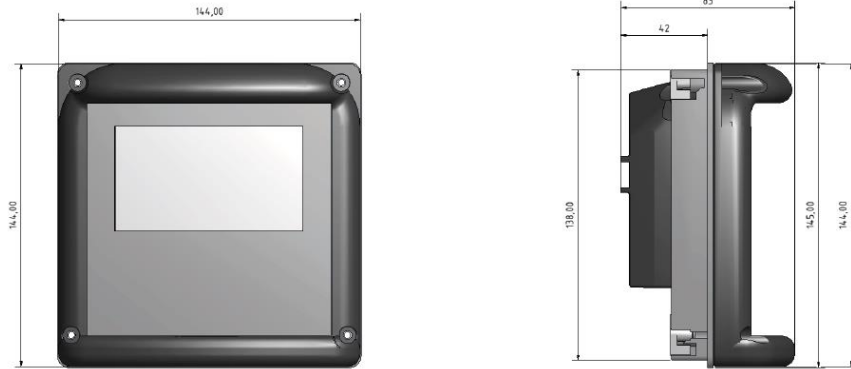
CE-Symbol	The product meets the requirements of the harmonized European standards and complies with the legal requirements of the EC directives
EMC	EN 61000 6-1 (3) EN 61000 6-2 (4) EN 61326-1

Design configuration

Material	ABS
Dimensions	Panel mounted housing 138 x 138 x 83 mm (max. wall thickness: 5mm) Wall mounted housing 144 x 144 x 156 mm Panel mounted housing 138 x 138 x 42 mm
Weight	0.6 kg (wall mounted housing: 1 kg)
Connection	Cable inlet 2 x M16, 2 x M12 + optional: 2 x M12 and 1 x M25 Plug-in terminal rigid / flexible 0.2 - 2.5 mm ² / 0.2 - 2.5 mm ² Measurement rigid / flexible 0.2 - 1 mm ² / 0.2 - 1.5 mm ²

Maßzeichnung

Neon® panel mounted



Neon® wall mounted





Kuntze Instruments GmbH
Robert-Bosch-Str. 7a
40688 Meerbusch
Germany

+49 2150 70660
info@kuntze.com
www.kuntze.com