

Zirkon® Redox Pool

Article Number S24134010K
Order Code 217300100



KUNTZE Sensors stand for quality and are manufactured by our own production. Made in Germany.

Zirkon® pH Redox Pool is a high-quality sensor specially designed for pool and spa applications. The sensor is particularly suitable for drinking and process water applications. The chosen materials ensure a long-term and reliable measurement.

Advantages of the Zirkon® Redox Pool

- Low maintenance
- Long service life

Measuring Parameter

Redox Potential (ORP) -1500.. +1500 mV

Process Conditions

Max. Pressure <30 psi at 68°F

Temperature 25..160°F

Mechanical Construction

Junction None

Shaft Material Glass

Shaft Length 120 mm

Shaft Diameter 12 mm

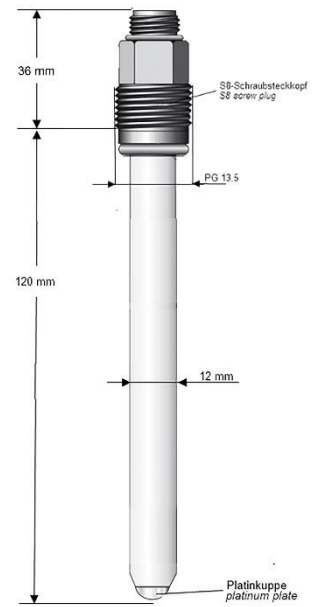
Electrode Material Platinum Plate

Reference System None

Process Connection S8 Plug (Swivel PG 13.5)

Electrical Connection 2 Poles

Mechanical Drawing



Zirkon® Redox Pool
S24134010K