

Zirkon® Redox Universal

Article Number S24135220K
Order Code 211312100



KUNTZE Sensors stand for quality and are manufactured by our own production. Made in Germany.

Zirkon® pH Redox Universal is a high-quality allround sensor for use in many media. The sensor is particularly suitable for drinking and process water applications.

Advantages of the Zirkon® Redox Universal

- Low maintenance due to gel filling
- Long service life
- High quality Zirkon junction for reliable measurement results

Measuring Parameter

Redox Potential (ORP) -1500.. +1500 mV

Process Conditions

Max. Pressure <30 psi at 68°F

Temperature 25..160°F

Mechanical Construction

Junction Zirkon

Shaft Material Glass

Shaft Length 120 mm

Shaft Diameter 12 mm

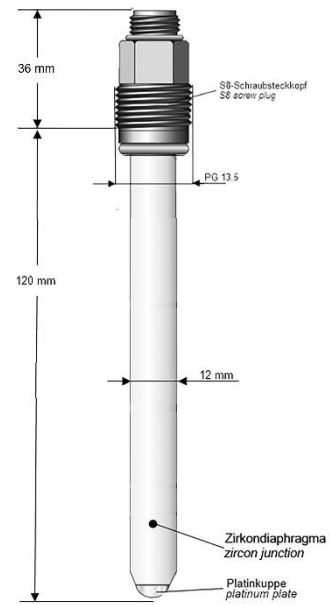
Electrode Material Platinum Plate

Reference System Ag / AgCl / Tepox Gel

Process Connection S8 Plug (Swivel PG 13.5)

Electrical Connection 2 Poles

Mechanical Drawing



Zirkon® Redox Universal
S24135220K